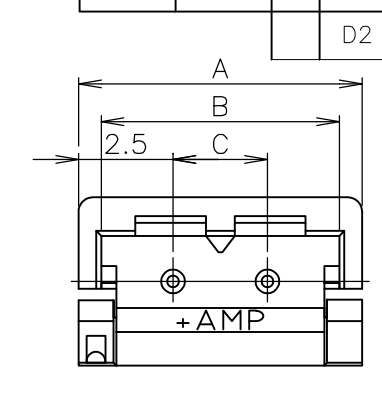
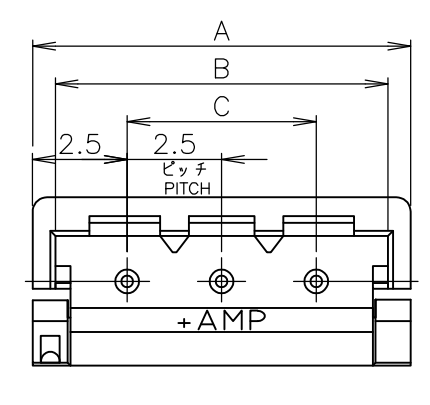
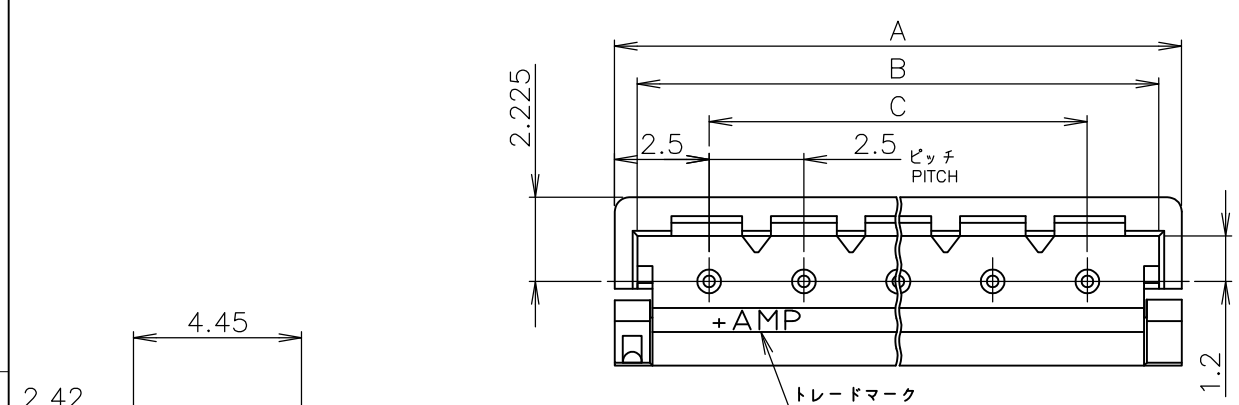
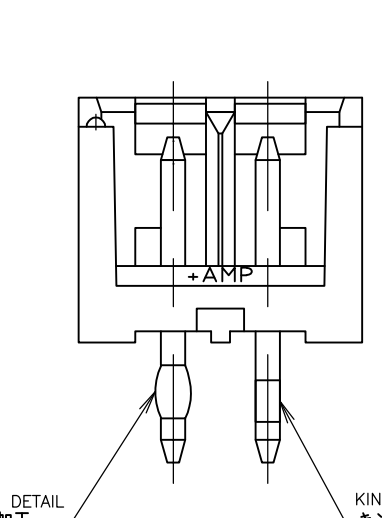
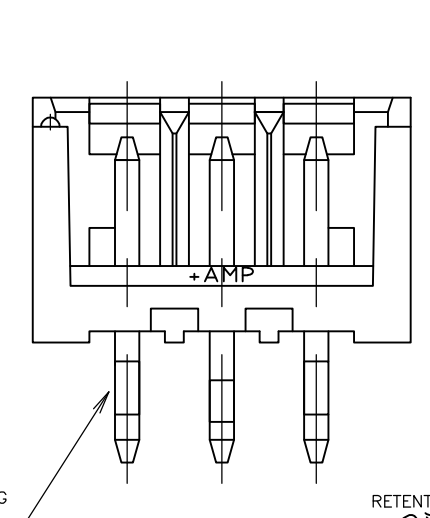
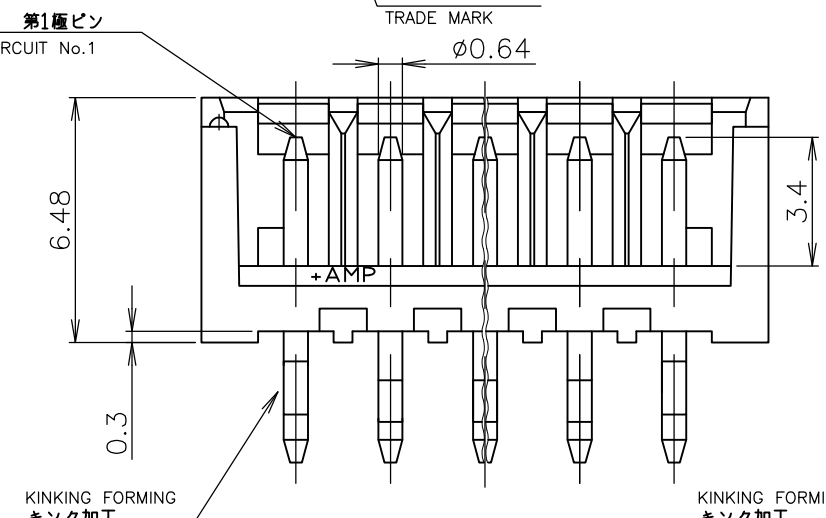
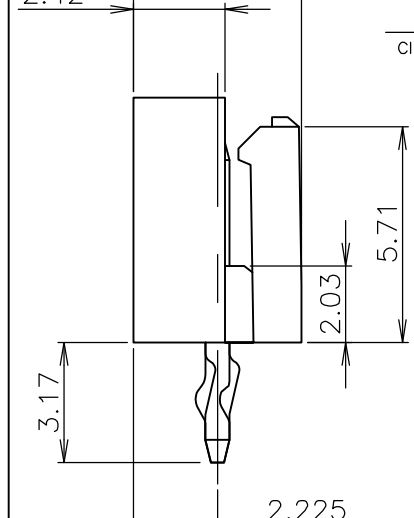


THIS DRAWING IS UNPUBLISHED. RELEASED FOR PUBLICATION  
 © COPYRIGHT By - ALL RIGHTS RESERVED.

LOC J	DIST	REVISIONS 変更		
		P	LTR	DESCRIPTION
			D2	REVISED(ECR-14-018055)
				DATE
				17MAR15
				DWN
				W.C
				APVD
				V.P



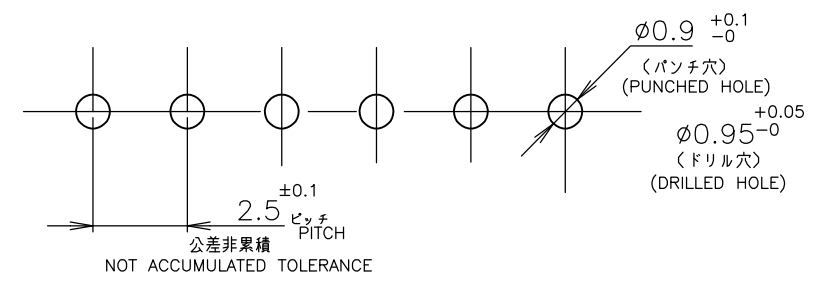
- 注記
1. 材料：ハウジング - 66 ナイロン (UL94V-0)  
ポスト - 錫めっき黄銅
  2. 適用製品規格：108-5385
  3. 嵌合相手製品型番：P/N 177534, 179872



- NOTES;
1. MATERIAL : HOUSING - 66NYLON (UL94V-0)  
POST - PRE-TIN BRASS
  2. PRODUCT SPEC : 108-5385
  3. MATING COUNTER PART NUMBER : P/N 177534 ,179872

全箇所 ALL PLACES  
 4~8極 4~13 Pos.  
 3ヶ所 3 PLACES  
 3 極品 3 Pos.  
 1ヶ所 1 PLACES  
 2 極品 2 Pos.  
 1ヶ所 1 PLACES

OBSOLETE:  
 1-177537-2  
 177537-9



RECOMMENDABLE P.C.BOARD LAYOUT  
 推奨基板寸法  
 (板厚 1.0~1.6)  
 (B.C.B THK:1.0~1.6)

30.0	34.2	35.0	13	9-	-3	7-	-3	5-	-3	3-	-3	1-	-3
27.5	31.7	32.5	12	9-	-2	7-	-2	5-	-2	3-	-2	<del>1-</del>	<del>2-</del>
25.0	29.2	30.0	11	9-	-1	7-	-1	5-	-1	3-	-1	1-	-1
22.5	26.7	27.5	10	9-	-0	7-	-0	5-	-0	3-	-0	1-	-0
20.0	24.2	25.0	9	8-	-9	6-	-9	4-	-9	2-	-9	<del>1-</del>	<del>2-</del>
17.5	21.7	22.5	8	8-	-8	6-	-8	4-	-8	2-	-8		-8
15.0	19.2	20.0	7	8-	-7	6-	-7	4-	-7	2-	-7		-7
12.5	16.7	17.5	6	8-	-6	6-	-6	4-	-6	2-	-6		-6
10.0	14.2	15.0	5	8-	-5	6-	-5	4-	-5	2-	-5		-5
7.5	11.7	12.5	4	8-	-4	6-	-4	4-	-4	2-	-4		-4
5.0	9.2	10.0	3	8-	-3	6-	-3	4-	-3	2-	-3		-3
2.5	6.7	7.5	2	8-177537-2		6-177537-2		4-177537-2		2-177537-2		177537-2	
C	B	A	極数 Pos.	青 BLUE		黒 BLACK		赤 RED		黄 YELLOW		自然色 NATURAL	
製品型番 PART No.													

THIS DRAWING IS A CONTROLLED DOCUMENT.

DWN S.KANEKI	14OCT92	<b>STE</b> TE Connectivity
CHK A.ONO	14OCT92	
APVD S.KUBOUCHI	25OCT95	
PRODUCT SPEC 製品規格		NAME 名称
APPLICATION SPEC 取付適用規格		POST HDR ASSEMBLY 2.5mm PITCH METRIC INTERCONNECT SYSTEM
MATERIAL 材料 SEE NOTE 1		SIZE A3
DIMENSIONS: 単位: 概 mm		CAGE CODE 00779
TOLERANCES UNLESS OTHERWISE SPECIFIED: 一般公差		DRAWING NO C-177537
0-PLC ± 1-PLC ± 2-PLC ± 3-PLC ± 4-PLC ± ANGLES ±		RESTRICTED TO -
FINISH 仕上		SCALE 尺度 10:1
WEIGHT		SHEET 1 OF 1
CUSTOMER DRAWING		REV D2

## X-ON Electronics

Largest Supplier of Electrical and Electronic Components

*Click to view similar products for [Headers & Wire Housings](#) category:*

*Click to view products by [TE Connectivity](#) manufacturer:*

Other Similar products are found below :

[892-18-020-10-001101](#) [58102-G61-06LF](#) [582553-1](#) [0009485154](#) [009176003701906](#) [0050291907](#) [LY20-4P-DT1-P1E-BR](#) [02.125.8002.8](#)  
[609-3404](#) [61062-3](#) [61082-181009](#) [622-3653LF](#) [63453-116](#) [636-1030](#) [636-1427](#) [636-3427](#) [636-4007](#) [641938-9](#) [641991-4](#) [644827-2](#) [65817-](#)  
[010LF](#) [65817-015LF](#) [65863-015LF](#) [66207-023LF](#) [67095-007LF](#) [67601157](#) [68645-018](#) [68648-049](#) [70.362.1628.0](#) [70-4210](#) [70-4226B](#) [70-](#)  
[4853B](#) [707-5020](#) [707-5028](#) [71.350.2428.0](#) [71918-208LF](#) [71961-016LF](#) [733-134](#) [733-162](#) [754199-000](#) [760-3052](#) [787-8014-00](#) [79531-3000](#)  
[FCN-360C032-B](#) [FCN-367T-T012/H](#) [FCN-723D010/2](#) [80.063.4001.1](#) [800-90-001-10-001000](#) [800-90-010-10-002000](#) [801-43-002-10-013000](#)