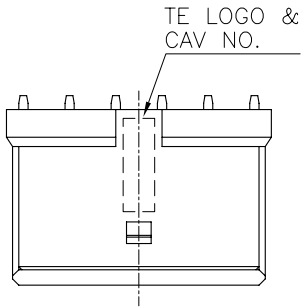
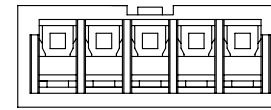
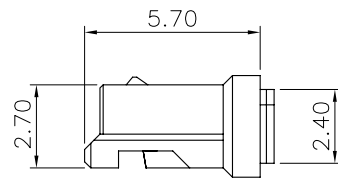
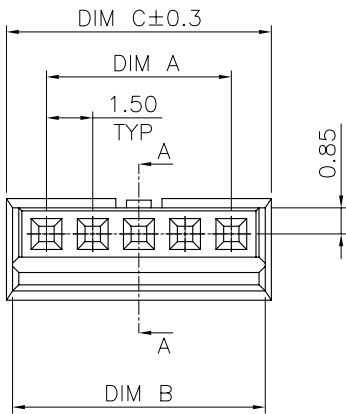
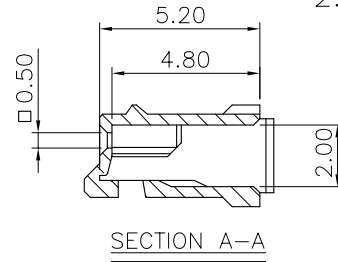


LOC		DIST		REVISIONS			
P	LTR	DESCRIPTION		DATE	DWN	APVD	
B		REVISED (ECR-11-024441)		02DEC11	JL	WK	

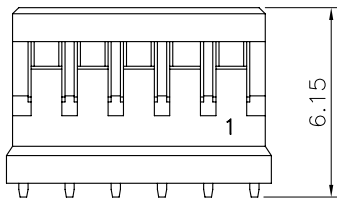


NOTES:

- MATERIALS:
HOUSING: THERMOPLASTIC, UL 94-V0, COLOR: NATURAL.
- APPLY TERMINAL PART NO: 1775442-1.



23.60	23.20	21.00	15	1-1775441-5
22.10	21.70	19.50	14	1-1775441-4
20.60	20.20	18.00	13	1-1775441-3
19.10	18.70	16.50	12	1-1775441-2
17.60	17.20	15.00	11	1-1775441-1
16.10	15.70	13.50	10	1-1775441-0
14.60	14.20	12.00	9	1775441-9
13.10	12.70	10.50	8	1775441-8
11.60	11.20	9.00	7	1775441-7
10.10	9.70	7.50	6	1775441-6
8.60	8.20	6.00	5	1775441-5
7.10	6.70	4.50	4	1775441-4
5.60	5.20	3.00	3	1775441-3
4.10	3.70	1.50	2	1775441-2
C	B	A	POS.	PART NUMBER
DIMENSIONS				



THIS DRAWING IS A CONTROLLED DOCUMENT.		DWN J. LAI 19AUG2009	TE Connectivity	
DIMENSIONS: MM		CHK S. CHIEN 19AUG2009		
TOLERANCES UNLESS OTHERWISE SPECIFIED:		APVD W. KODAMA 19AUG2009	NAME	
0 PLC ± - 1 PLC ± 0.25 2 PLC ± 0.15 3 PLC ± 0.10 4 PLC ± - ANGLES ± 3°		PRODUCT SPEC 108-57631	EMIX CONN., 1.5mm PITCH RCPT, HOUSING	
MATERIAL SEE NOTE		QUALIFICATION TEST REPORT 501-57736	SIZE A3	CAGE CODE 00779
FINISH SEE NOTE		WEIGHT - GRAMS	DRAWING NO G=1775441	RESTRICTED TO -
CUSTOMER DRAWING			SCALE -	SHEET 1 OF 2
			REV B	

4

3

2

1

THIS DRAWING IS UNPUBLISHED.

RELEASED FOR PUBLICATION

AUG., 2006.

© COPYRIGHT 2009

BY TYCO ELECTRONICS CORPORATION.

ALL RIGHTS RESERVED.

LOC

DIST

REVISIONS

DW

P

LTR

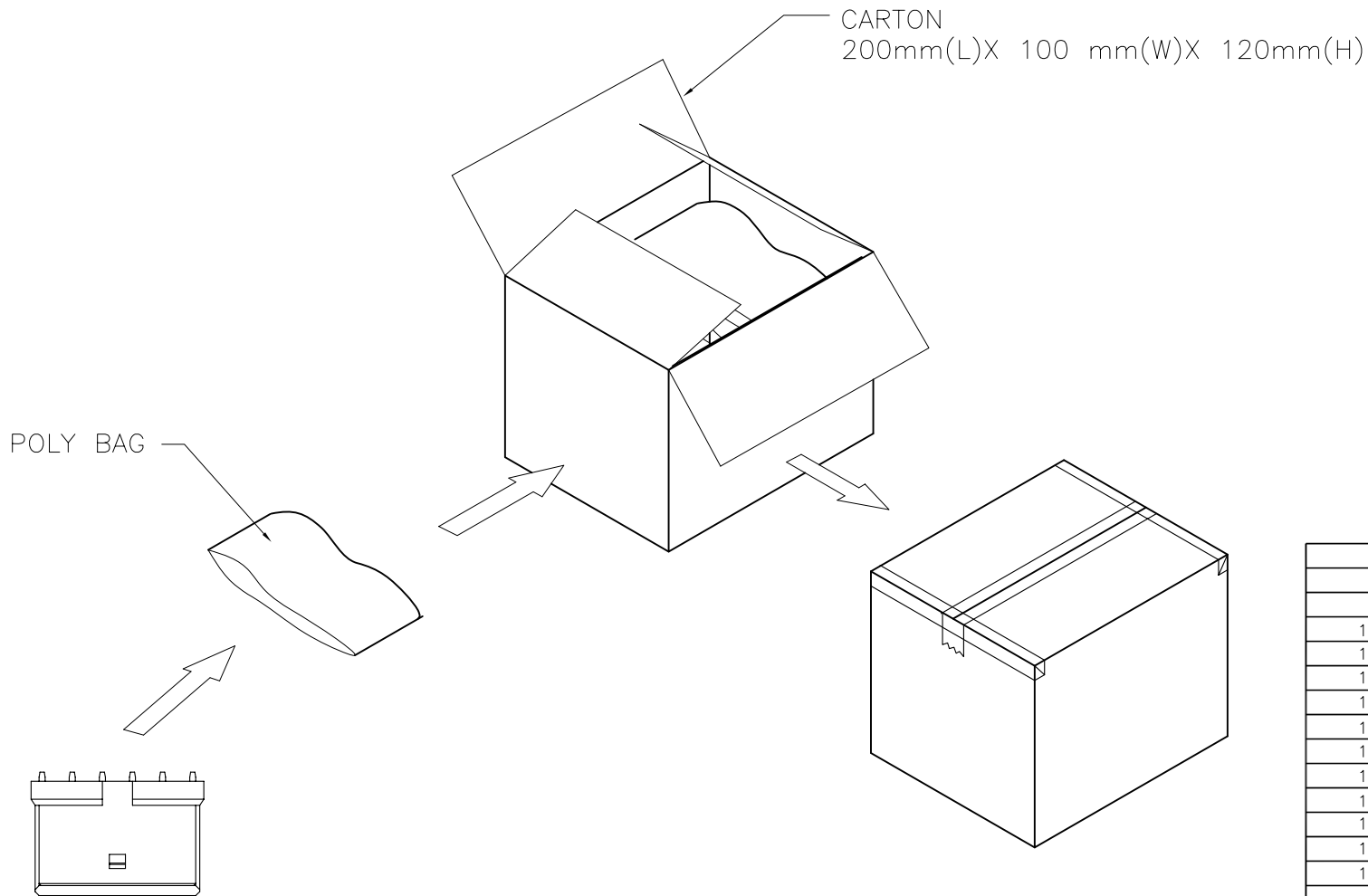
DESCRIPTION

DATE

DWN

APVD

SEE SHEET 1.



8,000	1,000	15	1-1775441-5
8,000	1,000	14	1-1775441-4
8,000	1,000	13	1-1775441-3
10,000	1,000	12	1-1775441-2
10,000	1,000	11	1-1775441-1
10,000	1,000	10	1-1775441-0
12,000	1,000	9	1775441-9
12,000	1,000	8	1775441-8
12,000	1,000	7	1775441-7
12,000	1,000	6	1775441-6
12,000	1,000	5	1775441-5
12,000	1,000	4	1775441-4
12,000	1,000	3	1775441-3
12,000	1,000	2	1775441-2
APQ (PCS/CARTON)	PPQ (PCS/BAG)	POS.	PART NUMBER

THIS DRAWING IS A CONTROLLED DOCUMENT.

DIMENSIONS: MM	TOLERANCES UNLESS OTHERWISE SPECIFIED: 0 PLC ± - 1 PLC ± - 2 PLC ± - 3 PLC ± - 4 PLC ± - ANGLES ± -	DWN	CHK	APVD	NAME
MATERIAL	FINISH	PRODUCT SPEC	APPLICATION SPEC	WEIGHT	SIZE
		CUSTOMER DRAWING		SCALE	
		A3 00779		DRAWING NO	
		G=1775441		RESTRICTED TO	
		SHEET		REV	
		2 OF 2		B	

STE TE Connectivity

EMIX CONN., 1.5mm PITCH RCPT, HOUSING

A3 00779 G=1775441

2 OF 2 REV B

X-ON Electronics

Largest Supplier of Electrical and Electronic Components

Click to view similar products for [Headers & Wire Housings](#) category:

Click to view products by [TE Connectivity](#) manufacturer:

Other Similar products are found below :

[892-18-020-10-001101](#) [58102-G61-06LF](#) [582553-1](#) [0009485154](#) [009176003701906](#) [0050291907](#) [LY20-4P-DT1-P1E-BR](#) [02.125.8002.8](#)
[609-3404](#) [61062-3](#) [61082-181009](#) [622-3653LF](#) [63453-116](#) [636-1030](#) [636-1427](#) [636-3427](#) [636-4007](#) [641938-9](#) [641991-4](#) [644827-2](#) [65817-010LF](#) [65817-015LF](#) [65863-015LF](#) [66207-023LF](#) [67095-007LF](#) [67601157](#) [68645-018](#) [68648-049](#) [70.362.1628.0](#) [70-4210](#) [70-4226B](#) [70-4853B](#) [707-5020](#) [707-5028](#) [71.350.2428.0](#) [71918-208LF](#) [71961-016LF](#) [733-134](#) [733-162](#) [754199-000](#) [760-3052](#) [787-8014-00](#) [79531-3000](#)
[FCN-360C032-B](#) [FCN-367T-T012/H](#) [FCN-723D010/2](#) [80.063.4001.1](#) [800-90-001-10-001000](#) [800-90-010-10-002000](#) [801-43-002-10-013000](#)