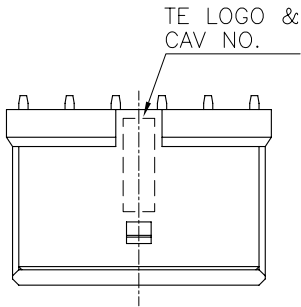
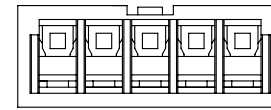
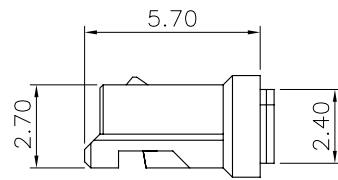
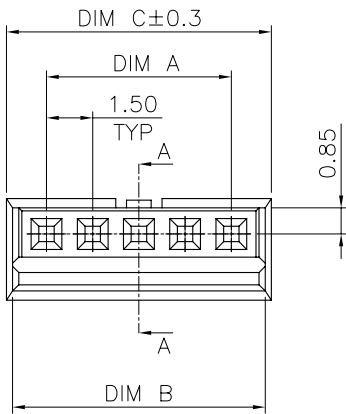
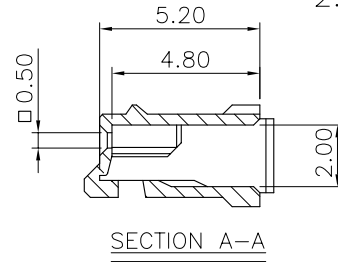


| LOC |     | DIST                    |  | REVISIONS |     |      |  |
|-----|-----|-------------------------|--|-----------|-----|------|--|
| P   | LTR | DESCRIPTION             |  | DATE      | DWN | APVD |  |
| B   |     | REVISED (ECR-11-024441) |  | 02DEC11   | JL  | WK   |  |

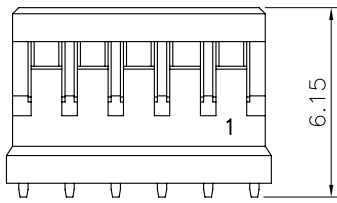


NOTES:

- MATERIALS:  
HOUSING: THERMOPLASTIC, UL 94-V0, COLOR: NATURAL.
- APPLY TERMINAL PART NO: 1775442-1.



|            |       |       |      |             |
|------------|-------|-------|------|-------------|
| 23.60      | 23.20 | 21.00 | 15   | 1-1775441-5 |
| 22.10      | 21.70 | 19.50 | 14   | 1-1775441-4 |
| 20.60      | 20.20 | 18.00 | 13   | 1-1775441-3 |
| 19.10      | 18.70 | 16.50 | 12   | 1-1775441-2 |
| 17.60      | 17.20 | 15.00 | 11   | 1-1775441-1 |
| 16.10      | 15.70 | 13.50 | 10   | 1-1775441-0 |
| 14.60      | 14.20 | 12.00 | 9    | 1775441-9   |
| 13.10      | 12.70 | 10.50 | 8    | 1775441-8   |
| 11.60      | 11.20 | 9.00  | 7    | 1775441-7   |
| 10.10      | 9.70  | 7.50  | 6    | 1775441-6   |
| 8.60       | 8.20  | 6.00  | 5    | 1775441-5   |
| 7.10       | 6.70  | 4.50  | 4    | 1775441-4   |
| 5.60       | 5.20  | 3.00  | 3    | 1775441-3   |
| 4.10       | 3.70  | 1.50  | 2    | 1775441-2   |
| C          | B     | A     | POS. | PART NUMBER |
| DIMENSIONS |       |       |      |             |



|   |  |  |                                       |                    |                         |
|---|--|--|---------------------------------------|--------------------|-------------------------|
| THIS DRAWING IS A CONTROLLED DOCUMENT.  |  | DWN<br>J. LAI<br>19AUG2009             | TE Connectivity                       |                    |                         |
| DIMENSIONS: MM  |  | CHK<br>S. CHIEN<br>19AUG2009           |                                       |                    |                         |
| TOLERANCES UNLESS OTHERWISE SPECIFIED:  |  | APVD<br>W. KODAMA<br>19AUG2009         | NAME                                  |                    |                         |
| 0 PLC ± -<br>1 PLC ± 0.25<br>2 PLC ± 0.15<br>3 PLC ± 0.10<br>4 PLC ± -<br>ANGLES ± 3° |  | PRODUCT SPEC<br>108-57631              | EMIX CONN., 1.5mm PITCH RCPT, HOUSING |                    |                         |
| MATERIAL<br>SEE NOTE  |  | QUALIFICATION TEST REPORT<br>501-57736 | SIZE<br>A3                            | CAGE CODE<br>00779 | DRAWING NO<br>G=1775441 |
| FINISH<br>SEE NOTE  |  | WEIGHT<br>- GRAMS                      | RESTRICTED TO<br>-                    |                    |                         |
| CUSTOMER DRAWING  |  |  | SCALE<br>-                            | SHEET<br>1 OF 2    | REV<br>B                |

4

3

2

1

THIS DRAWING IS UNPUBLISHED.

RELEASED FOR PUBLICATION

AUG., 2006.

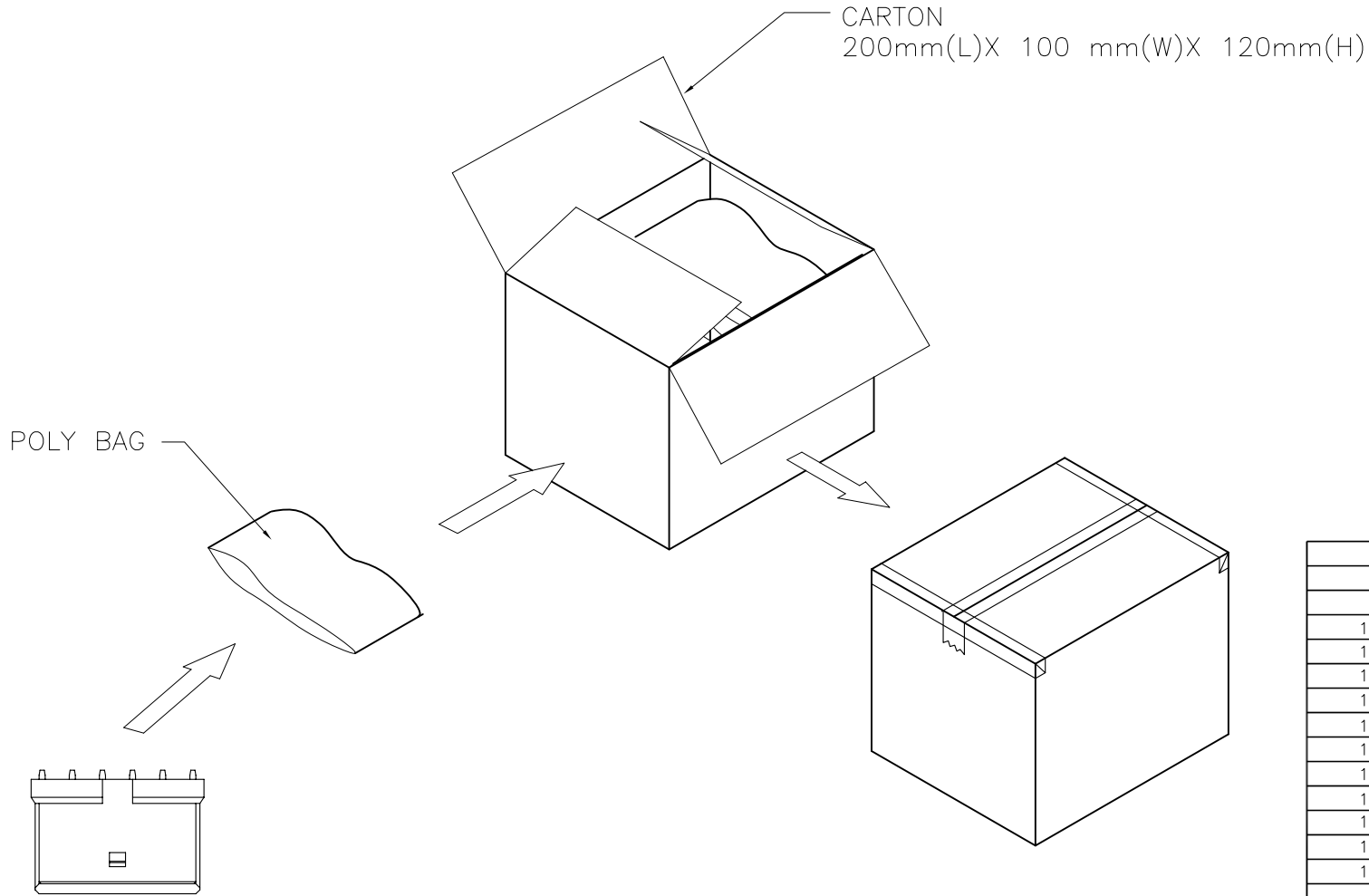
© COPYRIGHT 2009 BY TYCO ELECTRONICS CORPORATION. ALL RIGHTS RESERVED.

ALL RIGHTS RESERVED.

LOC DW DIST

REVISIONS

| P | LTR | DESCRIPTION  | DATE | DWN | APVD |
|---|-----|--------------|------|-----|------|
|   |     | SEE SHEET 1. |      |     |      |



|                     |                  |      |             |
|---------------------|------------------|------|-------------|
| 8,000               | 1,000            | 15   | 1-1775441-5 |
| 8,000               | 1,000            | 14   | 1-1775441-4 |
| 8,000               | 1,000            | 13   | 1-1775441-3 |
| 10,000              | 1,000            | 12   | 1-1775441-2 |
| 10,000              | 1,000            | 11   | 1-1775441-1 |
| 10,000              | 1,000            | 10   | 1-1775441-0 |
| 12,000              | 1,000            | 9    | 1775441-9   |
| 12,000              | 1,000            | 8    | 1775441-8   |
| 12,000              | 1,000            | 7    | 1775441-7   |
| 12,000              | 1,000            | 6    | 1775441-6   |
| 12,000              | 1,000            | 5    | 1775441-5   |
| 12,000              | 1,000            | 4    | 1775441-4   |
| 12,000              | 1,000            | 3    | 1775441-3   |
| 12,000              | 1,000            | 2    | 1775441-2   |
| APQ<br>(PCS/CARTON) | PPQ<br>(PCS/BAG) | POS. | PART NUMBER |

THIS DRAWING IS A CONTROLLED DOCUMENT.

|                   |   |                  |                                       |           |            |
|-------------------|---|------------------|---------------------------------------|-----------|------------|
| DIMENSIONS:<br>MM | TOLERANCES UNLESS OTHERWISE SPECIFIED:<br>0 PLC ± -<br>1 PLC ± -<br>2 PLC ± -<br>3 PLC ± -<br>4 PLC ± -<br>ANGLES ± - | DWN              | TE Connectivity                       |           |            |
|                   | MATERIAL  | CHK              | NAME                                  |           |            |
|                   | FINISH  | APVD             | EMIX CONN., 1.5mm PITCH RCPT, HOUSING |           |            |
|                   |   | PRODUCT SPEC     | SIZE                                  | CAGE CODE | DRAWING NO |
|                   |   | APPLICATION SPEC | A3                                    | 00779     | G=1775441  |
|                   |   | WEIGHT           | RESTRICTED TO                         |           |            |
|                   |   | CUSTOMER DRAWING | SCALE                                 | SHEET     | REV        |
|                   |   |                  |                                       | 2 OF 2    | B          |

## X-ON Electronics

Largest Supplier of Electrical and Electronic Components

*Click to view similar products for [Headers & Wire Housings](#) category:*

*Click to view products by [TE Connectivity](#) manufacturer:*

Other Similar products are found below :

[892-18-020-10-001101](#) [58102-G61-06LF](#) [582553-1](#) [0009485154](#) [009176003701906](#) [0050291907](#) [LY20-4P-DT1-P1E-BR](#) [02.125.8002.8](#)  
[609-3404](#) [61062-3](#) [61082-181009](#) [622-3653LF](#) [63453-116](#) [636-1030](#) [636-1427](#) [636-3427](#) [636-4007](#) [641938-9](#) [641991-4](#) [644827-2](#) [65817-](#)  
[010LF](#) [65817-015LF](#) [65863-015LF](#) [66207-023LF](#) [67095-007LF](#) [67601157](#) [68645-018](#) [68648-049](#) [70.362.1628.0](#) [70-4210](#) [70-4226B](#) [70-](#)  
[4853B](#) [707-5020](#) [707-5028](#) [71.350.2428.0](#) [71918-208LF](#) [71961-016LF](#) [733-134](#) [733-162](#) [754199-000](#) [760-3052](#) [787-8014-00](#) [79531-3000](#)  
[FCN-360C032-B](#) [FCN-367T-T012/H](#) [FCN-723D010/2](#) [80.063.4001.1](#) [800-90-001-10-001000](#) [800-90-010-10-002000](#) [801-43-002-10-013000](#)