

4

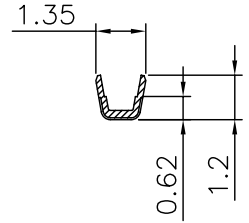
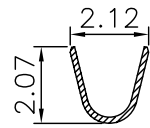
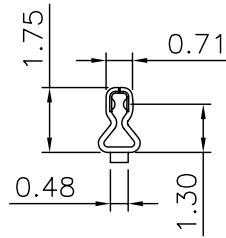
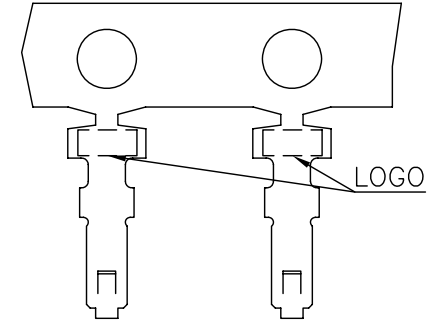
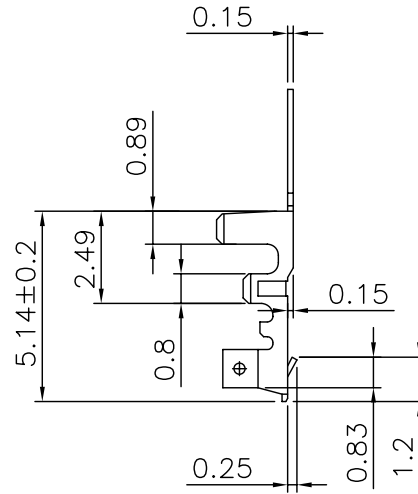
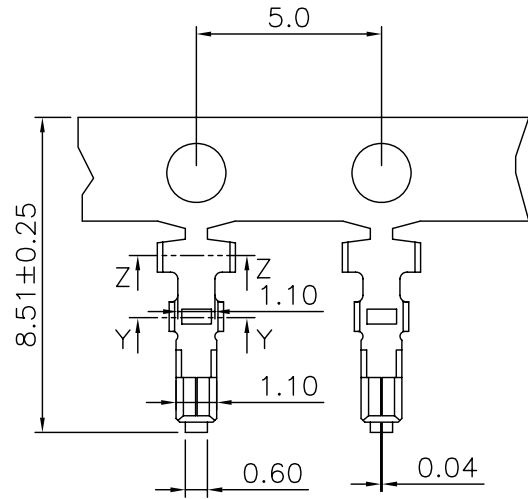
3

2

1

THIS DRAWING IS UNPUBLISHED. RELEASED FOR PUBLICATION AUG ,2006.  
 © COPYRIGHT 2009 BY TYCO ELECTRONICS CORPORATION. ALL RIGHTS RESERVED.

LOC		DIST		REVISIONS			
P	LTR	DESCRIPTION		DATE	DWN	APVD	
	A1	REVISED (ECR-09-018866)		24AUG09	JL	WK	



NOTES:

- MATERIALS:  
TERMINAL: PHOSPHOR BRONZE, THICKNESS=0.15mm.
- FINISH:  
TERMINAL: 100u" MIN. BRIGHT TIN PLATED OVER  
50u" MIN. NICKEL UNDERPLATED ALL OVER.
- APPLY HOUSING PART NO: X-1775441-X.
- APPLICATION SPECIFICATION: 114-57018.
- APPLICABLE WIRE RANGE: AWG #24~#30.

1775442-1  
 PART NUMBER

THIS DRAWING IS A CONTROLLED DOCUMENT.		DWN J. LAI 24AUG2009	Tyco Electronics Corporation Taipei, Taiwan												
DIMENSIONS: MM		CHK S. CHIEN 24AUG2009	NAME												
TOLERANCES UNLESS OTHERWISE SPECIFIED:		APVD W. KODAMA 24AUG2009	PRODUCT SPEC												
<table border="0"> <tr><td>0 PLC</td><td>± -</td></tr> <tr><td>1 PLC</td><td>± 0.20</td></tr> <tr><td>2 PLC</td><td>± 0.10</td></tr> <tr><td>3 PLC</td><td>± 0.05</td></tr> <tr><td>4 PLC</td><td>± -</td></tr> <tr><td>ANGLES</td><td>± 3'</td></tr> </table>		0 PLC	± -	1 PLC	± 0.20	2 PLC	± 0.10	3 PLC	± 0.05	4 PLC	± -	ANGLES	± 3'	APPLICATION SPEC	
0 PLC	± -														
1 PLC	± 0.20														
2 PLC	± 0.10														
3 PLC	± 0.05														
4 PLC	± -														
ANGLES	± 3'														
MATERIAL SEE NOTE		WEIGHT 0.02 GRAMS	SIZE A3	CAGE CODE 00779											
FINISH SEE NOTE		DRAWING NO C=1775442		RESTRICTED TO -											
CUSTOMER DRAWING			SCALE -	SHEET 1 OF 2											
			REV A1												

4

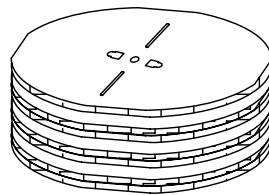
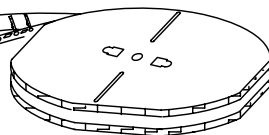
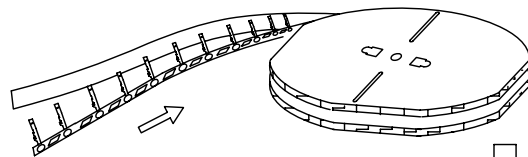
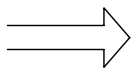
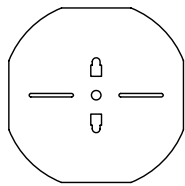
3

2

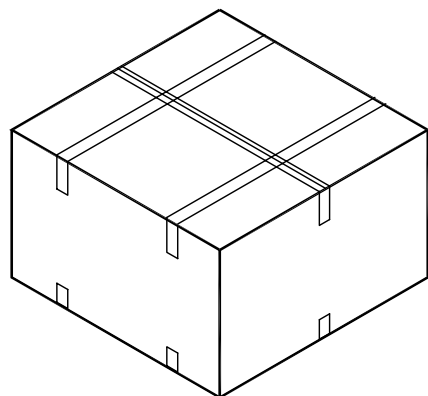
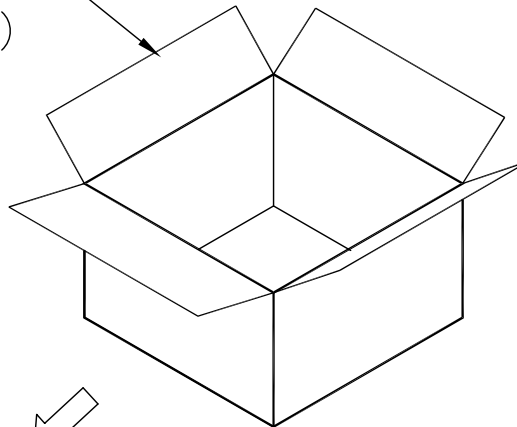
1

THIS DRAWING IS UNPUBLISHED.      RELEASED FOR PUBLICATION      AUG ,2006.  
 © COPYRIGHT 2009 BY TYCO ELECTRONICS CORPORATION.      ALL RIGHTS RESERVED.

LOC	DIST	REVISIONS		
DW		P	LTR	DESCRIPTION
				DATE
				DWN
				APVD
		SEE SHEET 1.		



CARTON  
 582mm(L)X 582 mm(W)X 112mm(H)



60000	15000	1775442-1
APQ (PCS/CARTON)	PPQ (PCS/REEL)	PART NUMBER

THIS DRAWING IS A CONTROLLED DOCUMENT.		DWN		Tyco Electronics Corporation	
DIMENSIONS: MM		CHK		Taipei, Taiwan	
TOLERANCES UNLESS OTHERWISE SPECIFIED:		APVD		NAME	
0 PLC ± -		PRODUCT SPEC		EMIX CONN., 1.5mm PITCH TERMINAL	
1 PLC ± -		APPLICATION SPEC		SIZE	
2 PLC ± -		WEIGHT		CAGE CODE	
3 PLC ± -		CUSTOMER DRAWING		DRAWING NO	
4 PLC ± -		SCALE		RESTRICTED TO	
ANGLES ± -		SHEET		REV	
MATERIAL		2 OF 2		A1	
FINISH		A300779		C=1775442	

## X-ON Electronics

Largest Supplier of Electrical and Electronic Components

*Click to view similar products for [Headers & Wire Housings](#) category:*

*Click to view products by [TE Connectivity](#) manufacturer:*

Other Similar products are found below :

[892-18-020-10-001101](#) [58102-G61-06LF](#) [582553-1](#) [0009485154](#) [009176003701906](#) [0050291907](#) [LY20-4P-DT1-P1E-BR](#) [02.125.8002.8](#)  
[609-3404](#) [61062-3](#) [61082-181009](#) [622-3653LF](#) [63453-116](#) [636-1030](#) [636-1427](#) [636-3427](#) [636-4007](#) [641938-9](#) [641991-4](#) [644827-2](#) [65817-010LF](#) [65817-015LF](#) [65863-015LF](#) [66207-023LF](#) [67095-007LF](#) [67601157](#) [68645-018](#) [68648-049](#) [70.362.1628.0](#) [70-4210](#) [70-4226B](#) [70-4853B](#) [707-5020](#) [707-5028](#) [71.350.2428.0](#) [71918-208LF](#) [71961-016LF](#) [733-134](#) [733-162](#) [754199-000](#) [760-3052](#) [787-8014-00](#) [79531-3000](#)  
[FCN-360C032-B](#) [FCN-367T-T012/H](#) [FCN-723D010/2](#) [80.063.4001.1](#) [800-90-001-10-001000](#) [800-90-010-10-002000](#) [801-43-002-10-013000](#)