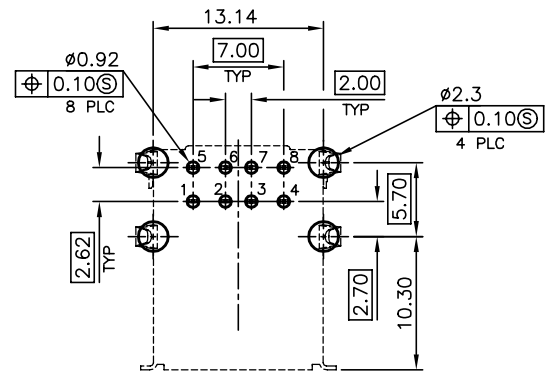
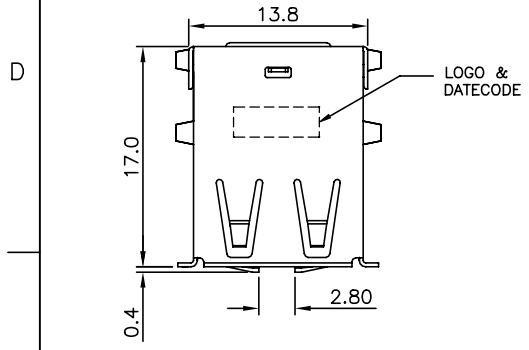
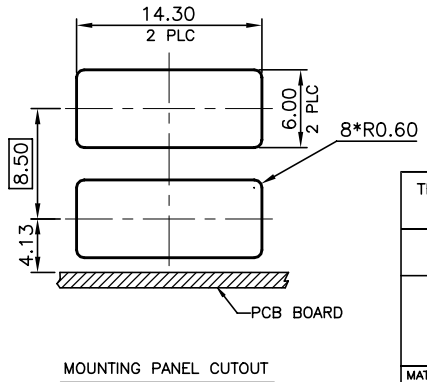
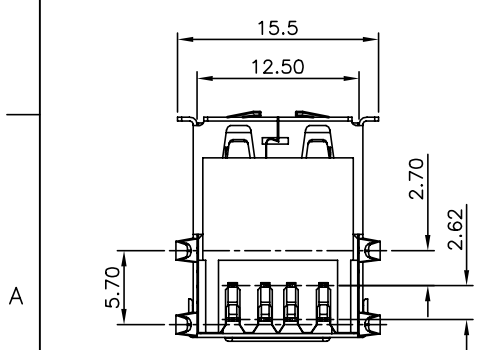
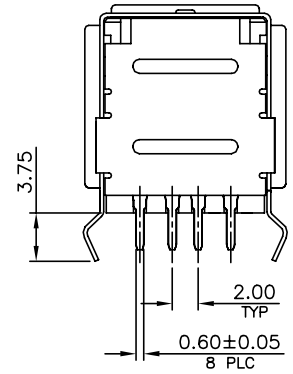
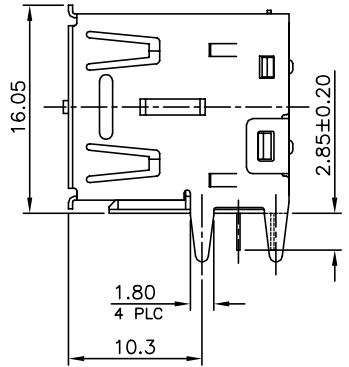
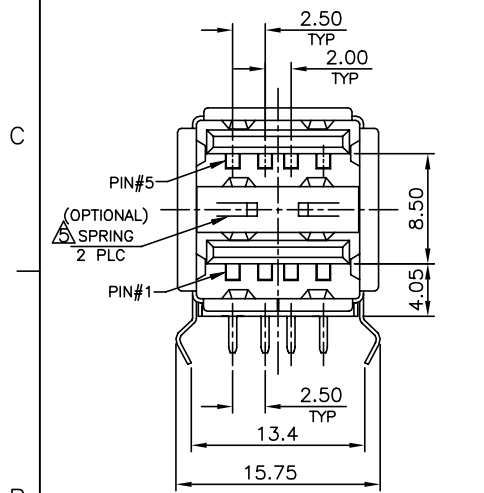


LOC	DIST	REVISIONS			
P	LTR	DESCRIPTION	DATE	DWN	APVD
	C2	REVISED PER ECR-20-007978	31MAY2021	R.M	S.Z



RECOMMENDED P.C.B LAYOUT
 TOP VIEW (TOLERANCE: ±0.05)



NOTES:

- MATERIAL:
 - HOUSING: SEE TABLE (PA66 WITH 30% G.F, UL94 V-0, BLACK OR WHITE COLOR. OR LCP WITH 30% G.F, UL94 V-0, BLACK COLOR.)
 - CONTACT: BRASS, T=0.25.
 - SHELL: SPCC.
 - REAR SHELL: SPCC.
 - SPRING: SPCC.
- FINISH:
 - CONTACT:
 - GOLD PLATING (SEE TABLE) ON CONTACT AREA, 2.54um [100u"] MIN. BRIGHT-TIN PLATING ON SOLDER TAIL AREA, 1.27um [50u"] MIN. NICKEL UNDERPLATING OVERALL.
 - SHELL:
 - 2.54um [100u"] MIN. BRIGHT-TIN PLATING, 1.27um [50u"] MIN. NICKEL UNDERPLATING OVERALL.
 - REAR SHELL: 1.27um [50u"] MIN. NICKEL PLATING.
 - SPRING : 1.27um [50u"] MIN. NICKEL PLATING.
- RECOMMENDED P.C.B THICKNESS :1.6mm.
- WAVE SOLDER CAPABLE TO 265°C PER TE SPEC. 109-202, CONDITION B.
- THE SPRING IS OPTIONAL.
- OBSOLETE

△	0.381um [15u"]	W/ O	PA66(BLACK)	1-1775468-2
△		W/	PA66(BLACK)	1-1775468-1
△	GOLD FLASH	W/	PA66(WHITE)	1775468-3
	GOLD FLASH	W/ O	LCP	1775468-2
△	GOLD FLASH	W/	PA66	1775468-1
	MIN. GOLD THICKNESS	△ SPRING	HSG MATERIAL	PART NUMBER

THIS DRAWING IS A CONTROLLED DOCUMENT.

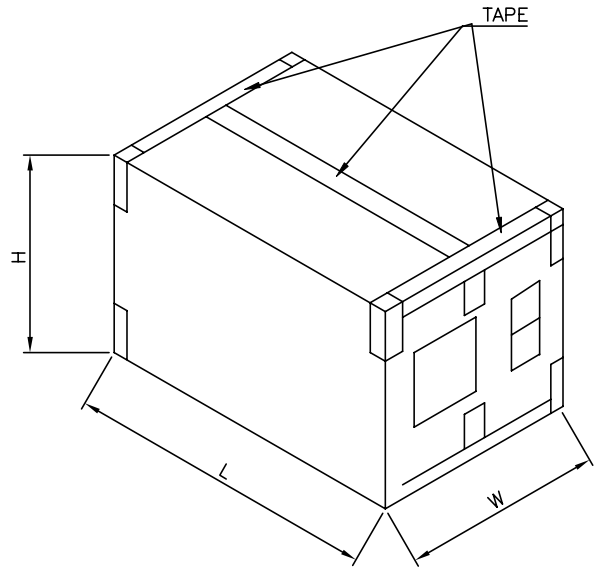
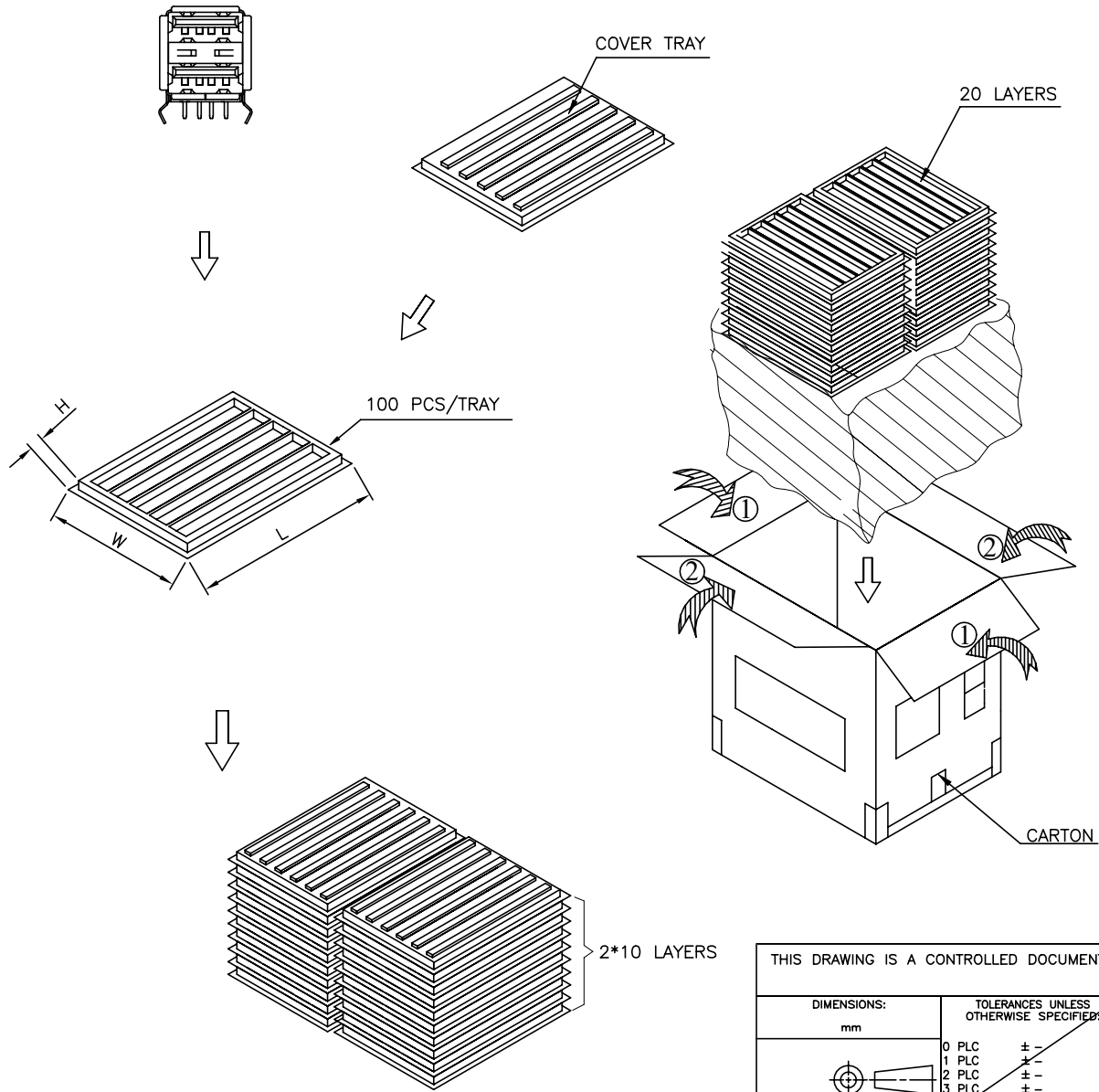
DIMENSIONS: mm	TOLERANCES UNLESS OTHERWISE SPECIFIED: 0 PLC ± - 1 PLC ± 0.3 2 PLC ± 0.2 3 PLC ± 0.15 4 PLC ± - ANGLES ± 3°	DWN J. LEE 30MAR2007 CHK S. HOU 30MAR2007 APVD W.J. KE 30MAR2007	TE Connectivity	
MATERIAL SEE NOTE	FINISH SEE NOTE	NAME 108-57519	USB A TYPE, RECEPTACLE DUAL PORT, R/A, DIP CONNECTOR	
		PRODUCT SPEC APPLICATION SPEC	SIZE A3	RESTRICTED TO
		WEIGHT 5.31 GRAMS	CAGE CODE 00779	DRAWING NO C=1775468
		CUSTOMER DRAWING	SCALE -	SHEET 1 of 2
				REV C2

THIS DRAWING IS UNPUBLISHED. RELEASED FOR PUBLICATION
 © COPYRIGHT 2010 BY TYCO ELECTRONICS CORPORATION. ALL RIGHTS RESERVED.

LOC	DIST	REVISIONS			
P	LTR	DESCRIPTION	DATE	DWN	APVD
		SEE SHEET 1.			

NOTES:

- DIMENSION:
 TRAY: L= 270, W=235, H=25
 SHIPPING CARTON: L= 485, W=280, H=210
- QUANTITY: (SEE TABLE)
- CARTON WEIGHT: (SEE TABLE)
- PE BAGS SEALED AND ADD DESICCANT.



11.6	10.6	100	20	2000
GROSS WEIGHT	NET WEIGHT	PCS/ TRAY	TRAYS/ CARTON	PCS/ CARTON

THIS DRAWING IS A CONTROLLED DOCUMENT.

DIMENSIONS: mm	TOLERANCES UNLESS OTHERWISE SPECIFIED: 0 PLC ± - 1 PLC ± - 2 PLC ± - 3 PLC ± - 4 PLC ± - ANGLES ± -	DWN _____ CHK _____ APVD _____ PRODUCT SPEC _____ APPLICATION SPEC _____ WEIGHT _____	TE Connectivity USB A TYPE, RECEPTACLE DUAL PORT, R/A, DIP CONNECTOR	
MATERIAL _____	FINISH _____	CUSTOMER DRAWING	SIZE A3	CAGE CODE 00779
			DRAWING NO. C=1775468	RESTRICTED TO _____
			SCALE _____	SHEET 2 of 2
			REV C2	

X-ON Electronics

Largest Supplier of Electrical and Electronic Components

Click to view similar products for [USB Connectors](#) category:

Click to view products by [TE Connectivity](#) manufacturer:

Other Similar products are found below :

[65-647-8-BK-BU](#) [950](#) [952](#) [E8144-B01021-L](#) [A-USB B-TOP-C](#) [MUSBA511N5](#) [MUSBD11135](#) [217450-1](#) [KMBVX-TH-5S-B30](#) [896-30-004-00-000000](#) [KUSBVX-BS1N-W30](#) [KUSBX-AP-KIT-SCBLK](#) [KUSBX-AS2N-W](#) [KUSBX-SMT2AP1S-W](#) [KUSBX-SMT2AP1S-W30](#) [935](#) [957](#) [30-498-6](#) [SK-60A-2](#) [17-210051](#) [1734082-1](#) [30-1574](#) [30-470](#) [30-489](#) [30-541](#) [30-572-3](#) [A-USB A-2P-C](#) [MIKROE-1451](#) [USBFTV2PEM2G](#) [USBFTVC6ZN](#) [KUSBX-AS2N-W30](#) [KUSBX-SLAS1N-W](#) [KUSBX-SMT-AS1N-W30](#) [4689-1](#) [1-1734084-2](#) [E8110-001-01](#) [33UBARS1-04SW11](#) [33UBAR-04SW11](#) [USBF21ZNSCC](#) [USBBFTV6ZC](#) [10135326-001LF](#) [M9177/3-1](#) [USB-A-S-F-B-VT](#) [925](#) [4198](#) [690-024-633-031](#) [KUSBEX-BSFS1N-W](#) [USBFTVC6MRG](#) [UA-20BMFA-SL8001](#) [17-250101](#)