

4

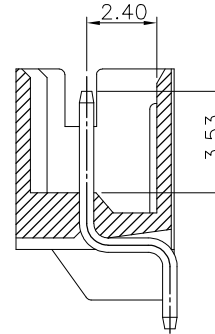
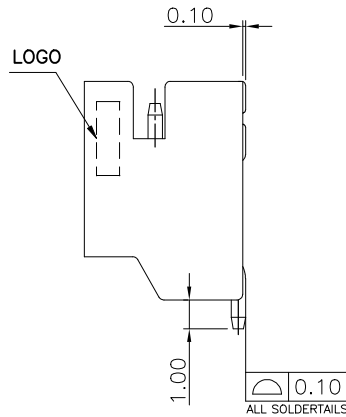
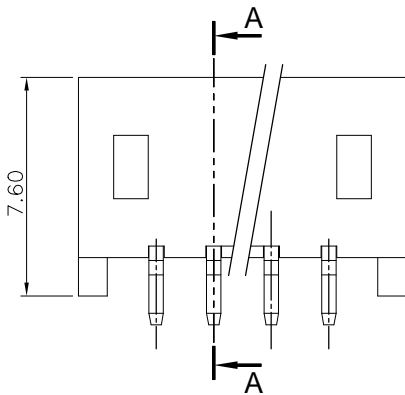
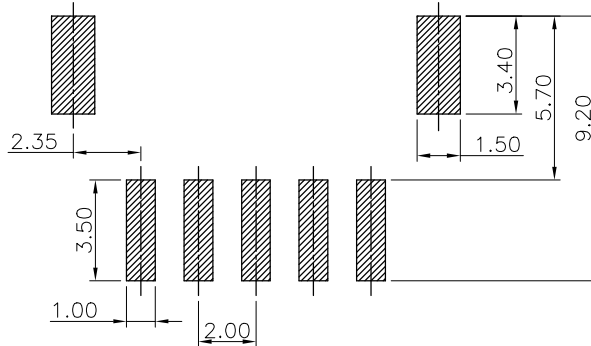
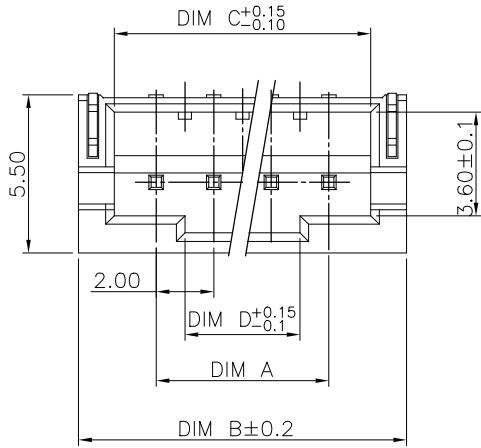
3

2

1

THIS DRAWING IS UNPUBLISHED. RELEASED FOR PUBLICATION
 © COPYRIGHT BY TYCO ELECTRONICS CORPORATION. ALL RIGHTS RESERVED.

LOC	DIST	REVISIONS			
P	LTR	DESCRIPTION	DATE	DWN	APVD
DW	-	A5	RELEASED (ECO-19-002414)	21FEB19	K.G. W.H.



THICKNESS	DIM D	DIM C	DIM B	DIM A	POS	PART NUMBER
28.00	32.90	35.40	30.00	16P	3-1775469-6	
26.00	30.90	33.40	28.00	15P	3-1775469-5	
24.00	28.90	31.40	26.00	14P	3-1775469-4	
22.00	26.90	29.40	24.00	13P	3-1775469-3	
20.00	24.90	27.40	22.00	12P	3-1775469-2	
18.00	22.90	25.40	20.00	11P	3-1775469-1	
16.00	20.90	23.40	18.00	10P	3-1775469-0	
14.00	18.90	21.40	16.00	9P	2-1775469-9	
12.00	16.90	19.40	14.00	8P	2-1775469-8	
10.00	14.90	17.40	12.00	7P	2-1775469-7	
8.00	12.90	15.40	10.00	6P	2-1775469-6	
6.00	10.90	13.40	8.00	5P	2-1775469-5	
4.00	8.90	11.40	6.00	4P	2-1775469-4	
2.00	6.90	9.40	4.00	3P	2-1775469-3	
0.60	4.90	7.40	2.00	2P	2-1775469-2	
28.00	32.90	35.40	30.00	16P	1-1775469-6	
26.00	30.90	33.40	28.00	15P	1-1775469-5	
24.00	28.90	31.40	26.00	14P	1-1775469-4	
22.00	26.90	29.40	24.00	13P	1-1775469-3	
20.00	24.90	27.40	22.00	12P	1-1775469-2	
18.00	22.90	25.40	20.00	11P	1-1775469-1	
16.00	20.90	23.40	18.00	10P	1-1775469-0	
14.00	18.90	21.40	16.00	9P	1775469-9	
12.00	16.90	19.40	14.00	8P	1775469-8	
10.00	14.90	17.40	12.00	7P	1775469-7	
8.00	12.90	15.40	10.00	6P	1775469-6	
6.00	10.90	13.40	8.00	5P	1775469-5	
4.00	8.90	11.40	6.00	4P	1775469-4	
2.00	6.90	9.40	4.00	3P	1775469-3	
0.60	4.90	7.40	2.00	2P	1775469-2	

NOTE:
 1. MATERIAL :
 HOUSING : PA9T, UL 94V-0, COLOR: NATURAL.
 CONTACT : BRASS, THICKNESS=0.50mm.
 2. FINISH:
 CONTACT : Δ 2 μ m [80u"] MIN. MATTE TIN PLATED OVER
 1.27 μ m [50u"] MIN. NICKEL UNDERPLATED ALL OVER.
 Δ GOLD FLASH OVER 1.27 μ m [50u"] MIN. NICKEL UNDERPLATED ALL OVER.
 3. REFLOW SOLDER CAPABLE TO 260°C PER TE CONNECTIVITY SPEC 109-201, CONDITION B.

THIS DRAWING IS A CONTROLLED DOCUMENT.		DWN O. HU 01NOV2006				
		CHK S. HOU 01NOV2006				
DIMENSIONS: MM 		APVD W.J. KE 01NOV2006	NAME HPI CONN., 2.0MM PITCH, R/A, SMT TYPE			
TOLERANCES UNLESS OTHERWISE SPECIFIED: 0 PLC ± - 1 PLC ± 0.25 2 PLC ± 0.15 3 PLC ± 0.05 4 PLC ± - ANGLES ± 3°		PRODUCT SPEC 108-57100	QUALIFICATION TEST REPORT 501-57058			
MATERIAL SEE NOTE	FINISH SEE NOTE	WEIGHT --	SIZE A3	CAGE CODE 00779	DRAWING NO C=1775469	RESTRICTED TO -
CUSTOMER DRAWING			SCALE -	SHEET 1 OF 2	REV A5	

THIS DRAWING IS UNPUBLISHED.

RELEASED FOR PUBLICATION

© COPYRIGHT BY TYCO ELECTRONICS CORPORATION.

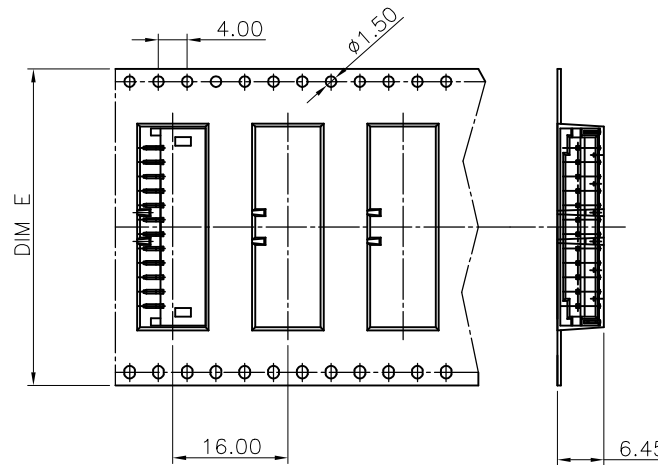
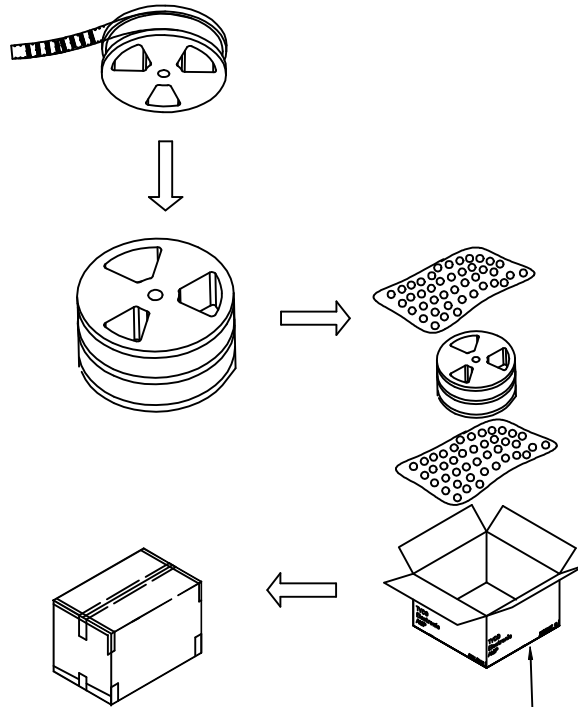
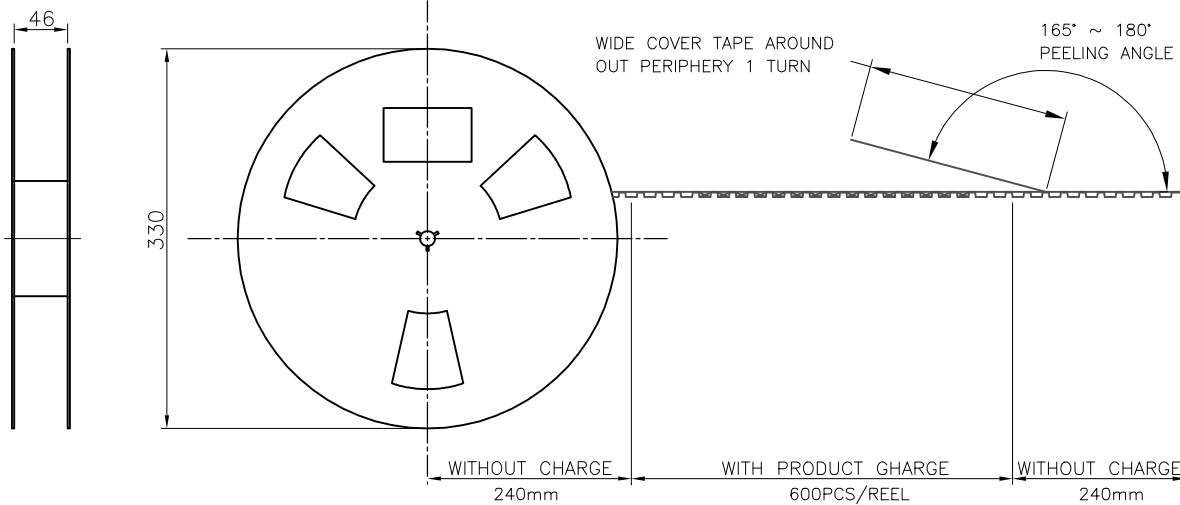
ALL RIGHTS RESERVED.

LOC DW

DIST -

REVISIONS

P	LTR	DESCRIPTION	DATE	DWN	APVD
		SEE SHEET 1.			



DIM E	PCS/CARTON	PCS/REEL	POS	PART NUMBER
56.00	1,800	600	16P	3-1775469-6
	1,800	600	15P	3-1775469-5
	1,800	600	14P	3-1775469-4
	1,800	600	13P	3-1775469-3
44.00	2,400	600	12P	3-1775469-2
	2,400	600	11P	3-1775469-1
	2,400	600	10P	3-1775469-0
	2,400	600	9P	2-1775469-9
	2,400	600	8P	2-1775469-8
	2,400	600	7P	2-1775469-7
32.00	3,000	600	6P	2-1775469-6
	3,000	600	5P	2-1775469-5
	3,000	600	4P	2-1775469-4
	3,000	600	3P	2-1775469-3
56.00	3,000	600	2P	2-1775469-2
	1,500	600	16P	1-1775469-6
	1,800	600	15P	1-1775469-5
	1,800	600	14P	1-1775469-4
	1,800	600	13P	1-1775469-3
44.00	2,400	600	12P	1-1775469-2
	2,400	600	11P	1-1775469-1
	2,400	600	10P	1-1775469-0
	2,400	600	9P	1775469-9
32.00	2,400	600	8P	1775469-8
	2,400	600	7P	1775469-7
	3,000	600	6P	1775469-6
	3,000	600	5P	1775469-5
	3,000	600	4P	1775469-4
	3,000	600	3P	1775469-3
	3,000	600	2P	1775469-2

THIS DRAWING IS A CONTROLLED DOCUMENT.

DWN O. HU 01NOV2006

CHK S. HOU 01NOV2006

APVD W.J. KE 01NOV2006

NAME

PRODUCT SPEC

APPLICATION SPEC

WEIGHT

CUSTOMER DRAWING

SCALE - SHEET 2 OF 2 REV A5

TE Connectivity

HPI CONN., 2.0MM PITCH, R/A, SMT TYPE

SIZE A3 CAGE CODE G=1775469

RESTRICTED TO

X-ON Electronics

Largest Supplier of Electrical and Electronic Components

Click to view similar products for [Headers & Wire Housings](#) category:

Click to view products by [TE Connectivity](#) manufacturer:

Other Similar products are found below :

[892-18-020-10-001101](#) [58102-G61-06LF](#) [582553-1](#) [0009485154](#) [009176003701906](#) [0050291907](#) [LY20-4P-DT1-P1E-BR](#) [02.125.8002.8](#)
[609-3404](#) [61062-3](#) [61082-181009](#) [622-3653LF](#) [63453-116](#) [636-1030](#) [636-1427](#) [636-3427](#) [636-4007](#) [641938-9](#) [641991-4](#) [644827-2](#) [65817-](#)
[010LF](#) [65817-015LF](#) [65863-015LF](#) [66207-023LF](#) [67095-007LF](#) [67601157](#) [68645-018](#) [68648-049](#) [70.362.1628.0](#) [70-4210](#) [70-4226B](#) [70-](#)
[4853B](#) [707-5020](#) [707-5028](#) [71.350.2428.0](#) [71918-208LF](#) [71961-016LF](#) [733-134](#) [733-162](#) [754199-000](#) [760-3052](#) [787-8014-00](#) [79531-3000](#)
[FCN-360C032-B](#) [FCN-367T-T012/H](#) [FCN-723D010/2](#) [80.063.4001.1](#) [800-90-001-10-001000](#) [800-90-010-10-002000](#) [801-43-002-10-013000](#)