

THIS DRAWING IS UNPUBLISHED.

RELEASED FOR PUBLICATION

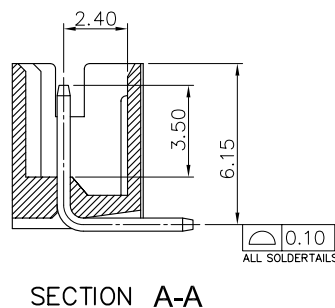
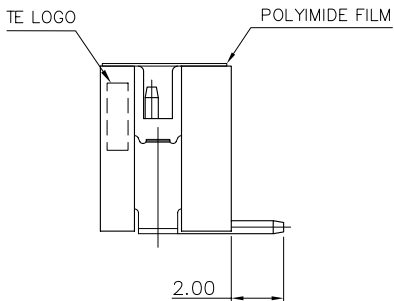
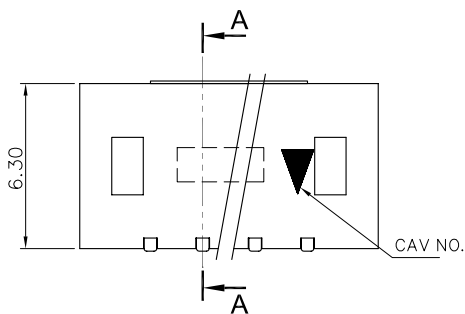
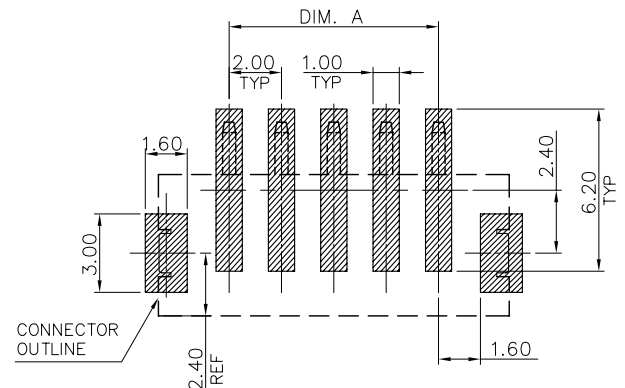
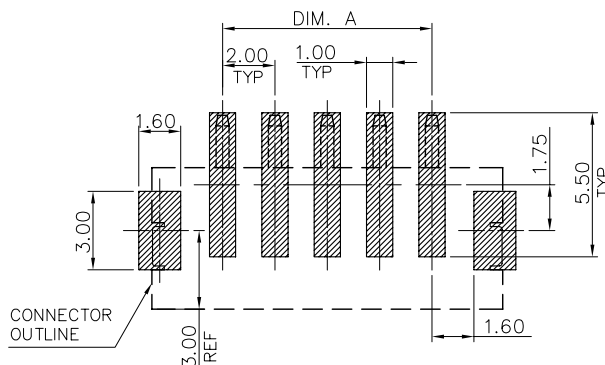
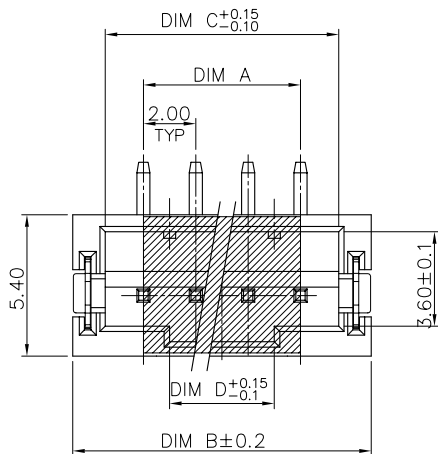
ALL RIGHTS RESERVED.

© COPYRIGHT BY

LOC DW DIST

REVISIONS

P	LTR	DESCRIPTION	DATE	DWN	APVD
B		REVISED (ECR-11-011782)	08JUN11	JL	WK



NOTE:

- MATERIAL :
HOUSING : PA9T, UL 94V-0, COLOR: NATURAL.
CONTACT : BRASS, THICKNESS=0.50mm.
SOLDER PEG : BRASS
- FINISH:
CONTACT : $\Delta 2\mu\text{m}$ [80 μ] MIN. MATTE TIN PLATED OVER
1.27 μm [50 μ] MIN. NICKEL UNDERPLATED ALL OVER.
 Δ GOLD FLASH OVER 1.27 μm [50 μ] MIN. NICKEL UNDERPLATED ALL OVER.
PEG : 2 μm [80 μ] MATTE TIN, 1.27 μm [50 μ] NICEL.
- REFLOW SOLDER CAPABLE TO 260°C PER TE CONNECTIVITY SPEC 109-201, CONDITION B.

Δ B	28.00	32.90	35.40	30.00	16P	3-1775470-6
	26.00	30.90	33.40	28.00	15P	3-1775470-5
	24.00	28.90	31.40	26.00	14P	3-1775470-4
	22.00	26.90	29.40	24.00	13P	3-1775470-3
	20.00	24.90	27.40	22.00	12P	3-1775470-2
	18.00	22.90	25.40	20.00	11P	3-1775470-1
	16.00	20.90	23.40	18.00	10P	3-1775470-0
	14.00	18.90	21.40	16.00	9P	2-1775470-9
	12.00	16.90	19.40	14.00	8P	2-1775470-8
	10.00	14.90	17.40	12.00	7P	2-1775470-7
	8.00	12.90	15.40	10.00	6P	2-1775470-6
	6.00	10.90	13.40	8.00	5P	2-1775470-5
	4.00	8.90	11.40	6.00	4P	2-1775470-4
	2.00	6.90	9.40	4.00	3P	2-1775470-3
	0.60	4.90	7.40	2.00	2P	2-1775470-2
Δ A	28.00	32.90	35.40	30.00	16P	1-1775470-6
	26.00	30.90	33.40	28.00	15P	1-1775470-5
	24.00	28.90	31.40	26.00	14P	1-1775470-4
	22.00	26.90	29.40	24.00	13P	1-1775470-3
	20.00	24.90	27.40	22.00	12P	1-1775470-2
	18.00	22.90	25.40	20.00	11P	1-1775470-1
	16.00	20.90	23.40	18.00	10P	1-1775470-0
	14.00	18.90	21.40	16.00	9P	1775470-9
	12.00	16.90	19.40	14.00	8P	1775470-8
	10.00	14.90	17.40	12.00	7P	1775470-7
	8.00	12.90	15.40	10.00	6P	1775470-6
	6.00	10.90	13.40	8.00	5P	1775470-5
	4.00	8.90	11.40	6.00	4P	1775470-4
	2.00	6.90	9.40	4.00	3P	1775470-3
	0.60	4.90	7.40	2.00	2P	1775470-2
THICKNESS	DIM D	DIM C	DIM B	DIM A	POS	PART NUMBER

THIS DRAWING IS A CONTROLLED DOCUMENT.

DWN S. CHIEN 06JAN2009
CHK S. CHIEN 06JAN2009
APVD W. KODAMA 06JAN2009

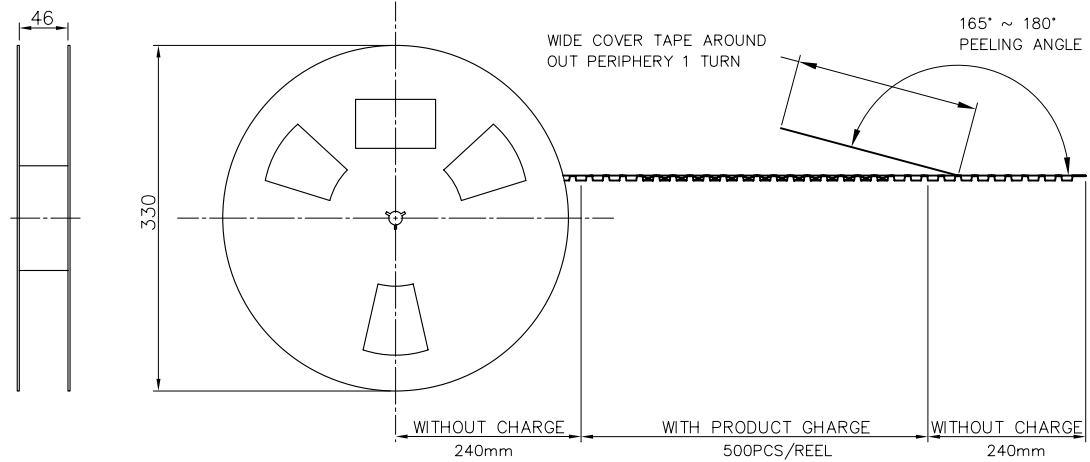
PRODUCT SPEC
108-57100
QUALIFICATION TEST REPORT
501-57058
WEIGHT - GRAMS

TE Connectivity
HPI CONN., 2.0MM PITCH, V/T, SMT TYPE

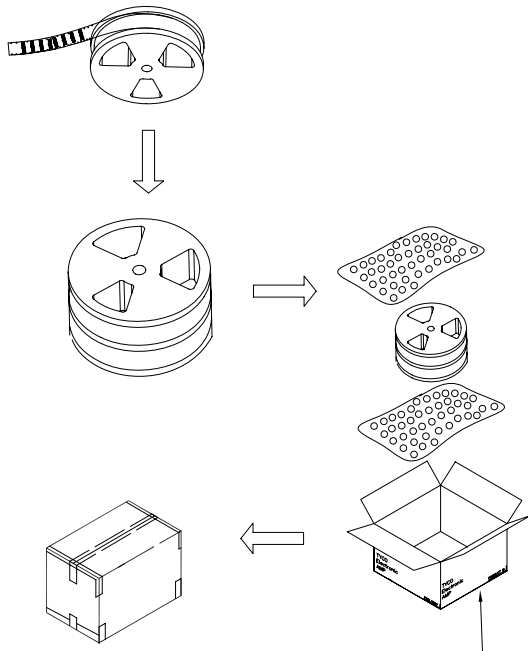
SIZE A3 CAGE CODE 00779 DRAWING NO. C=1775470 RESTRICTED TO

CUSTOMER DRAWING SCALE SHEET 1 of 4 REV B

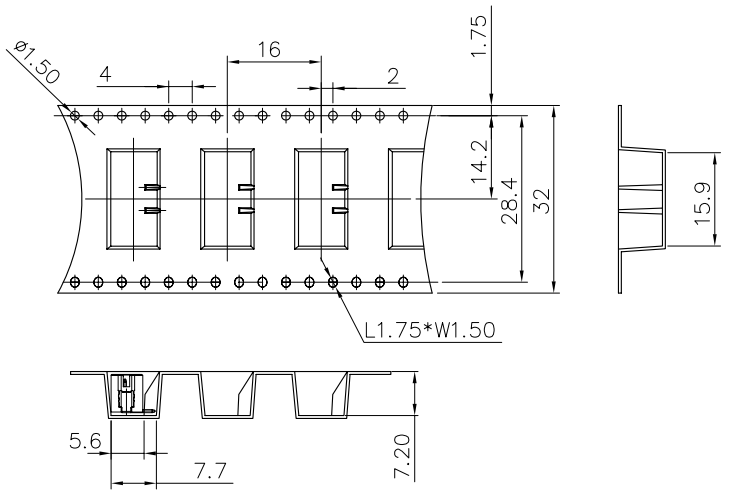
LOC			DIST			REVISIONS			
P	LTR		DESCRIPTION	DATE	DWN	APVD			
SEE SHEET 1.									



FOR 2~6PIN



341mm(L)*341mm(W)*221mm(H)



PCS/CARTON	PCS/REEL	POS	PART NUMBER
2,500	500	6P	2-1775470-6
2,500	500	5P	2-1775470-5
2,500	500	4P	2-1775470-4
2,500	500	3P	2-1775470-3
2,500	500	2P	2-1775470-2
2,500	500	6P	1775470-6
2,500	500	5P	1775470-5
2,500	500	4P	1775470-4
2,500	500	3P	1775470-3
2,500	500	2P	1775470-2

THIS DRAWING IS A CONTROLLED DOCUMENT.

DIMENSIONS: MM	TOLERANCES UNLESS OTHERWISE SPECIFIED:	DWN	 TE Connectivity
0 PLC ± -	1 PLC ± -	CHK	
2 PLC ± -	3 PLC ± -	APVD	
4 PLC ± -	ANGLES ± -	PRODUCT SPEC	
MATERIAL	FINISH	APPLICATION SPEC	NAME
		WEIGHT	HPI CONN., 2.0MM PITCH, V/T, SMT TYPE
		CUSTOMER DRAWING	SIZE: A3 CAGE CODE: 00779 DRAWING NO: C=1775470
		SCALE	RESTRICTED TO
		SHEET 2 OF 4	REV B

4

3

2

1

THIS DRAWING IS UNPUBLISHED.

RELEASED FOR PUBLICATION

AUG 2006

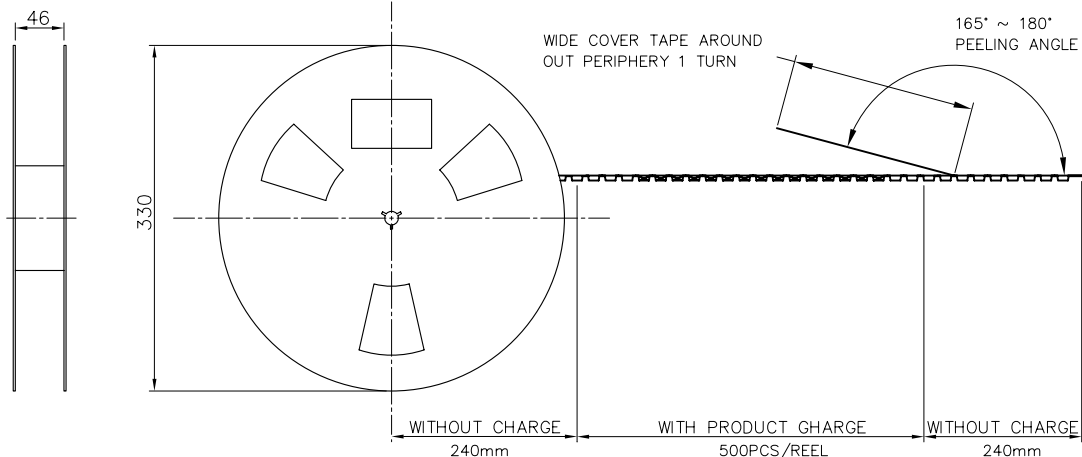
LOC DW

DIST

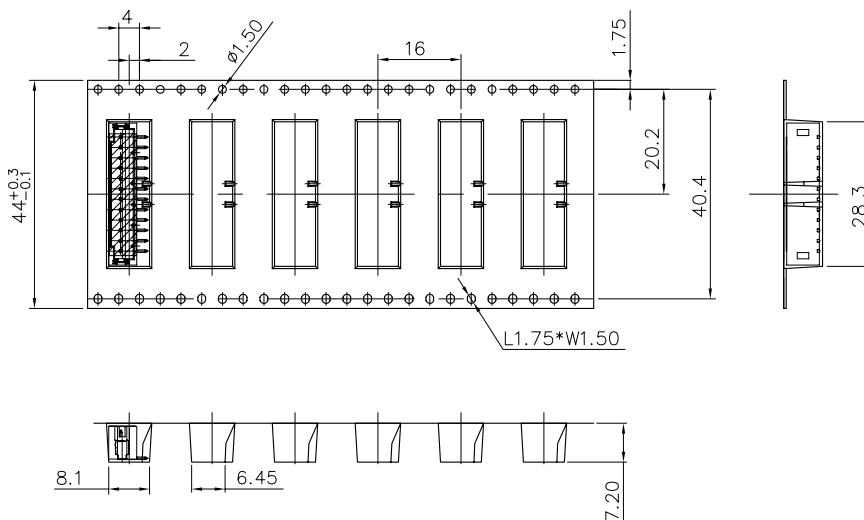
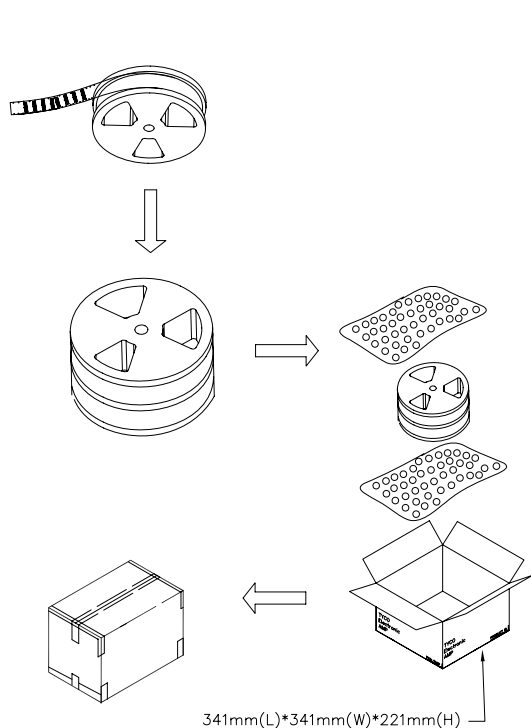
REVISIONS

© COPYRIGHT BY TYCO ELECTRONICS CORPORATION. ALL RIGHTS RESERVED.

P	LTR	DESCRIPTION	DATE	DWN	APVD
		SEE SHEET 1.			



FOR 7~12PIN



PCS/CARTON	PCS/REEL	POS	PART NUMBER
2,000	500	12P	3-1775470-2
2,000	500	11P	3-1775470-1
2,000	500	10P	3-1775470-0
2,000	500	9P	2-1775470-9
2,000	500	8P	2-1775470-8
2,000	500	7P	2-1775470-7
2,000	500	12P	1-1775470-2
2,000	500	11P	1-1775470-1
2,000	500	10P	1-1775470-0
2,000	500	9P	1775470-9
2,000	500	8P	1775470-8
2,000	500	7P	1775470-7

THIS DRAWING IS A CONTROLLED DOCUMENT.

DIMENSIONS: MM

TOLERANCES UNLESS OTHERWISE SPECIFIED:

0 PLC	±
1 PLC	±
2 PLC	±
3 PLC	±
4 PLC	±
ANGLES	±

MATERIAL

FINISH

DWN

CHK

APVD

PRODUCT SPEC

APPLICATION SPEC

WEIGHT

CUSTOMER DRAWING

NAME

HPI CONN., 2.0MM PITCH, V/T, SMT TYPE

SIZE A3

CAGE CODE 00779

DRAWING NO C=1775470

RESTRICTED TO

SCALE

SHEET 3 of 4

REV B

TE Connectivity

THIS DRAWING IS UNPUBLISHED.

RELEASED FOR PUBLICATION

AUG 2006

© COPYRIGHT BY TYCO ELECTRONICS CORPORATION.

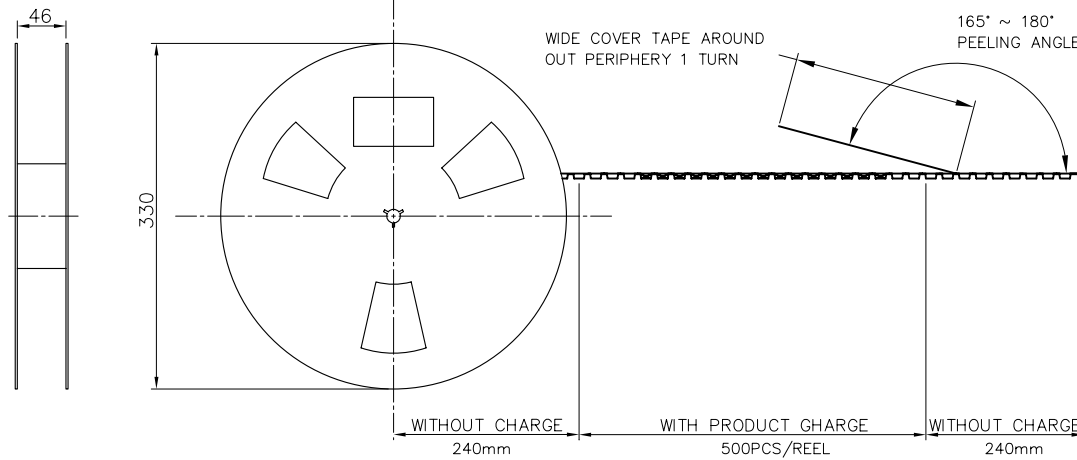
ALL RIGHTS RESERVED.

LOC DW

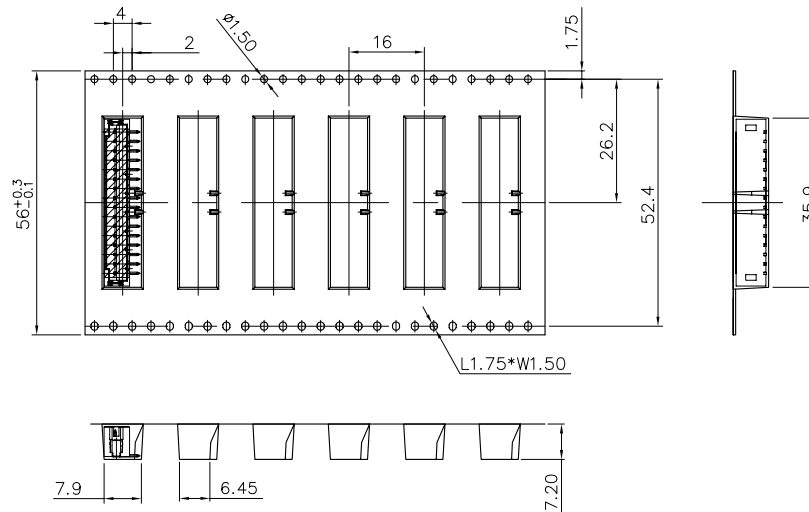
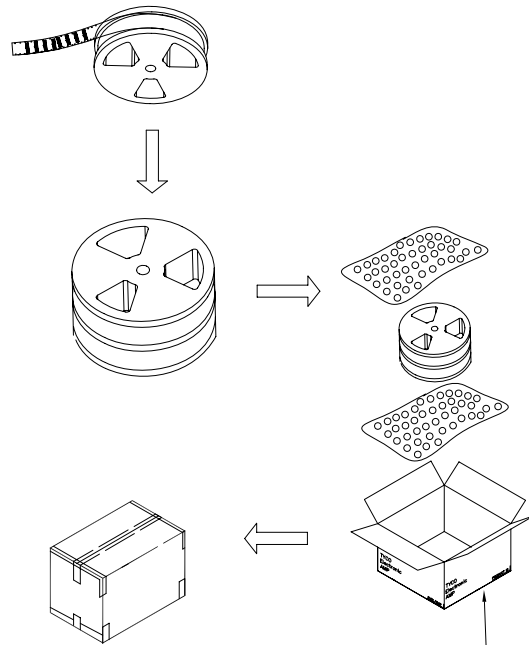
DIST

REVISIONS

P	LTR	DESCRIPTION	DATE	DWN	APVD
		SEE SHEET 1.			



FOR 13~16PIN



PCS/CARTON	PCS/REEL	POS	PART NUMBER
1,500	500	16P	3-1775470-6
1,500	500	15P	3-1775470-5
1,500	500	14P	3-1775470-4
1,500	500	13P	3-1775470-3
1,500	500	16P	1-1775470-6
1,500	500	15P	1-1775470-5
1,500	500	14P	1-1775470-4
1,500	500	13P	1-1775470-3

THIS DRAWING IS A CONTROLLED DOCUMENT.

DIMENSIONS: MM

TOLERANCES UNLESS OTHERWISE SPECIFIED:

0 PLC	± -
1 PLC	± -
2 PLC	± -
3 PLC	± -
4 PLC	± -
ANGLES	± -

MATERIAL: -

FINISH: -

DWN: -

CHK: -

APVD: -

PRODUCT SPEC: -

APPLICATION SPEC: -

WEIGHT: -

CUSTOMER DRAWING

SCALE: -

SHEET: 4 OF 4

REV: B

TE Connectivity

HPI CONN., 2.0MM PITCH, V/T, SMT TYPE

SIZE: A3

CAGE CODE: 00779

DRAWING NO: C=1775470

RESTRICTED TO: -

X-ON Electronics

Largest Supplier of Electrical and Electronic Components

Click to view similar products for [Headers & Wire Housings](#) category:

Click to view products by [TE Connectivity](#) manufacturer:

Other Similar products are found below :

[892-18-020-10-001101](#) [58102-G61-06LF](#) [582553-1](#) [0009485154](#) [009176003701906](#) [0050291907](#) [LY20-4P-DT1-P1E-BR](#) [02.125.8002.8](#)
[609-3404](#) [61062-3](#) [61082-181009](#) [622-3653LF](#) [63453-116](#) [636-1030](#) [636-1427](#) [636-3427](#) [636-4007](#) [641938-9](#) [641991-4](#) [644827-2](#) [65817-010LF](#) [65817-015LF](#) [65863-015LF](#) [66207-023LF](#) [67095-007LF](#) [67601157](#) [68645-018](#) [68648-049](#) [70.362.1628.0](#) [70-4210](#) [70-4226B](#) [70-4853B](#) [707-5020](#) [707-5028](#) [71.350.2428.0](#) [71918-208LF](#) [71961-016LF](#) [733-134](#) [733-162](#) [754199-000](#) [760-3052](#) [787-8014-00](#) [79531-3000](#)
[FCN-360C032-B](#) [FCN-367T-T012/H](#) [FCN-723D010/2](#) [80.063.4001.1](#) [800-90-001-10-001000](#) [800-90-010-10-002000](#) [801-43-002-10-013000](#)