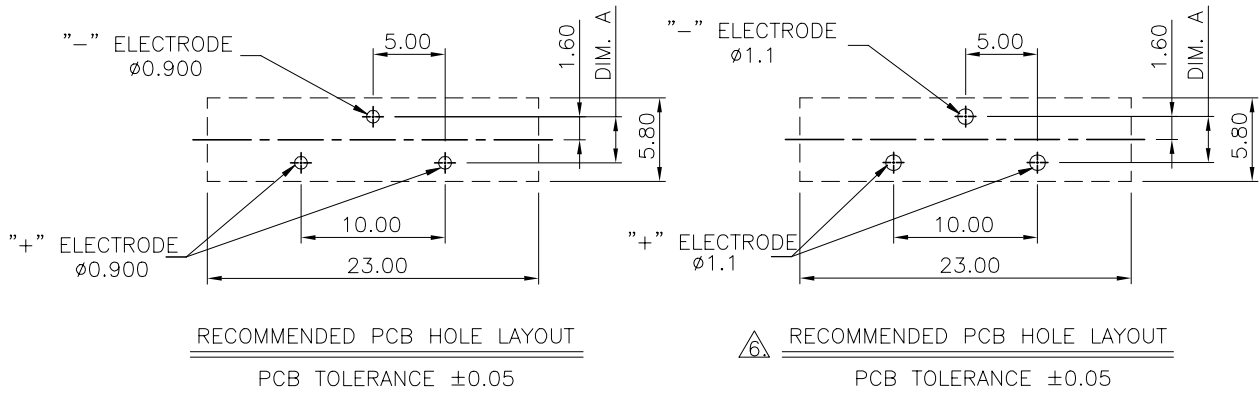
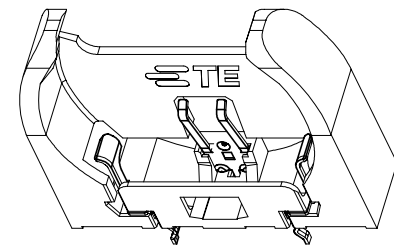
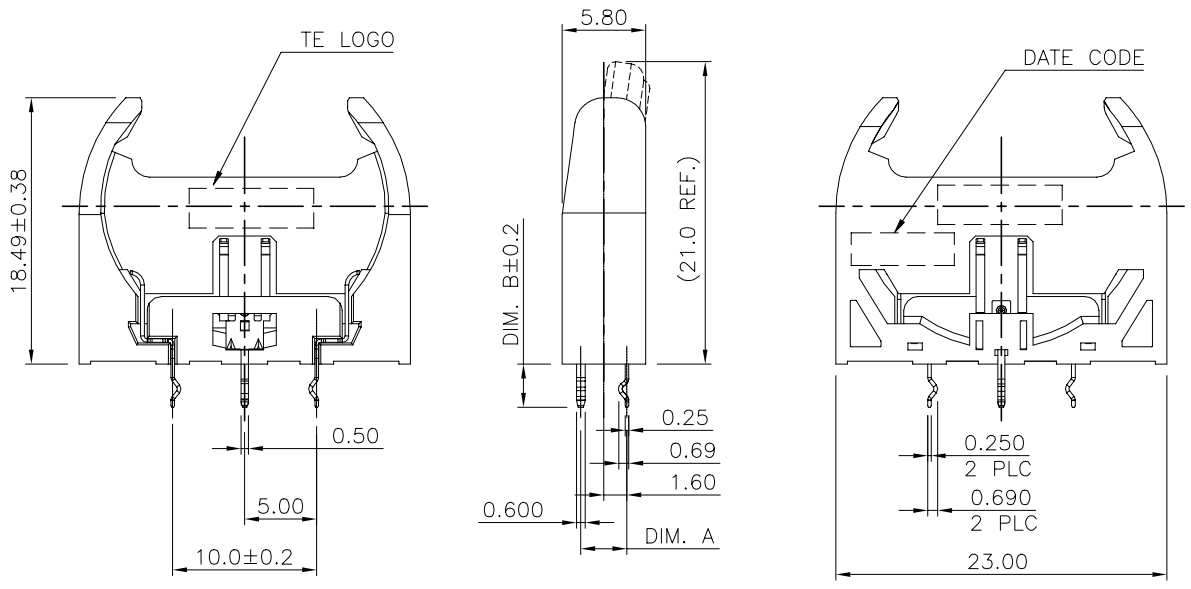


THIS DRAWING IS UNPUBLISHED. RELEASED FOR PUBLICATION AUG ,2006.
 © COPYRIGHT BY TYCO ELECTRONICS CORPORATION. ALL RIGHTS RESERVED.

LOC	DIST	REVISIONS					
DW		P	LTR	DESCRIPTION	DATE	DWN	APVD
		B1		REVISED PER ECO-19-018013	10MAR20	K.G	W.H
		B2		REVISED PER ECO-20-011206	10JUN20	K.G	W.H

- NOTES :
- MATERIAL :
 - HOUSING: MATERIAL AND COLOR: SEE TABLE, UL94 V-0
 - CONTACT: STAINLESS STEEL
 - FINISH : CONTACT
 - 2.1 GOLD FLASH PLATING ON CONTACT AREA, 2.54um [100u"] MIN. MATTE-TIN PLATING ON SOLDERING AREA. 0.76um [30u"] MIN. NICKEL UNDERPLATING OVERALL.
 - 2.2 GOLD PLATING 0.125um [5u"] MIN.ON CONTACT AREA, 2.54um [100u"] MIN. MATTE-TIN PLATING ON SOLDERING AREA. 1.25um [50u"] MIN. NICKEL UNDERPLATING OVERALL.
 - WAVE SOLDER CAPABLE TO 265°C PER TE SPEC. 109-202, CONDITION B.
 - RECOMMENDED PCB THICKNESS: 1.6mm
 - SUITABLE FOR BATTERY NO.: CR2032.
 6. LOW PCB RETENTION FORCE.



2.1	3.0 mm	3.2 mm	PA-66 & BLACK	2-1775485-4
2.2	3.6 mm	3.6 mm	PA-66 & BLACK	1775485-5
2.1				2-1775485-1
2.1	3.0 mm	3.2 mm	PA-66 & 2718C BLUE	1-1775485-2
2.1			PA-66 & BLACK	1-1775485-1
2.1			PA-66 & 2718C BLUE	1775485-2
2.2	3.0 mm	3.6 mm	PA-66 & BLACK	1775485-4
2.1				1775485-1
FINISHED	DIM B	DIM A	HOUSING MATERIAL&COLOR	PART NO.

THIS DRAWING IS A CONTROLLED DOCUMENT.

DWN	S. CHIEN	03JUN2008	TE Connectivity
CHK	S. CHIEN	03JUN2008	
APVD	W. KODAMA	03JUN2008	
NAME			
PRODUCT SPEC	108-57542		BATTERY HOLDER, H=18.5mm, V/T
QUALIFICATION TEST REPORT	501-57624		
WEIGHT	1.19 GRAMS	A3 00779	C=1775485
CUSTOMER DRAWING	SCALE	SHEET	1 OF 4 REV B2

DIMENSIONS:	TOLERANCES UNLESS OTHERWISE SPECIFIED:
MM	
0 PLC	± -
1 PLC	± 0.38
2 PLC	± 0.25
3 PLC	± 0.15
4 PLC	± -
ANGLES	± 2'
MATERIAL	FINISH
SEE NOTE	SEE NOTE

THIS DRAWING IS UNPUBLISHED.

RELEASED FOR PUBLICATION

AUG ,2006.

© COPYRIGHT BY TYCO ELECTRONICS CORPORATION.

ALL RIGHTS RESERVED.

LOC DW

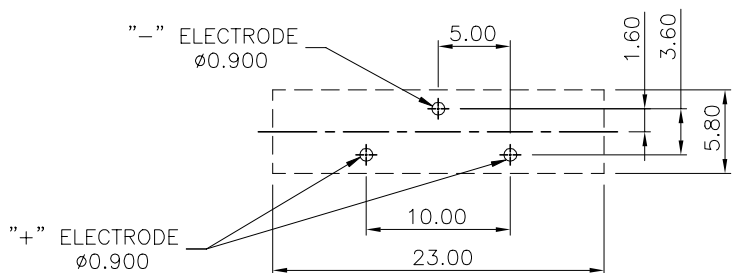
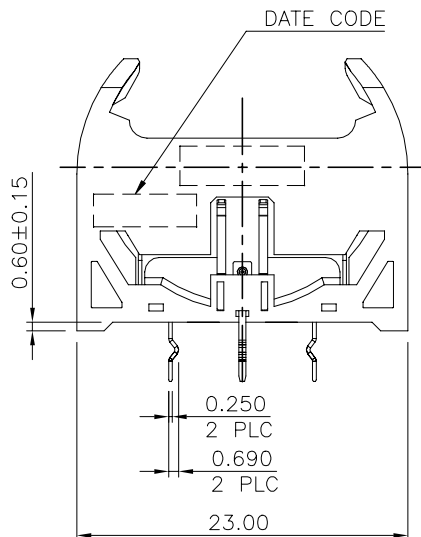
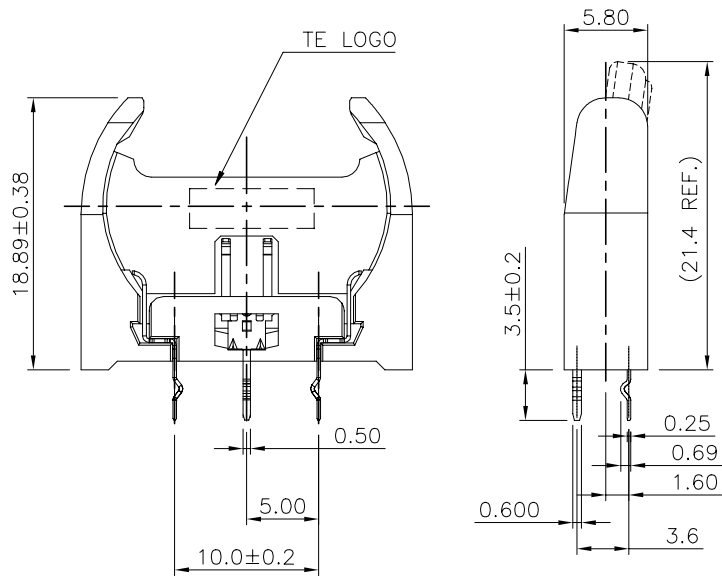
DIST

REVISIONS

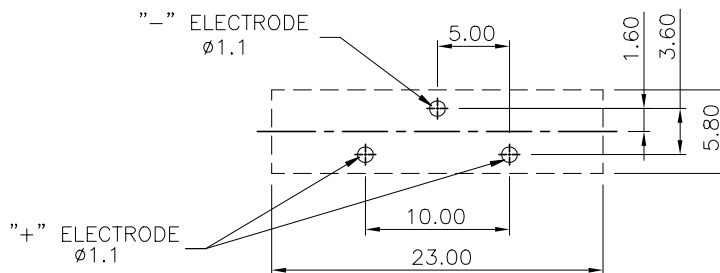
P	LTR	DESCRIPTION	DATE	DWN	APVD
		SEE SHEET 1.			

NOTES :

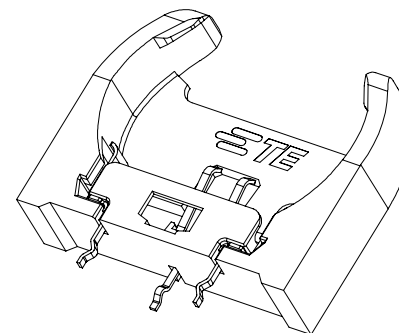
- MATERIAL :
 - HOUSING: UL94 V-0, PA SERIES COLOR: SEE TABLE
 - CONTACT: STAINLESS STEEL
 - FINISH :
 - CONTACT
 - GOLD FLASH PLATING ON CONTACT AREA, 2.54um [100u"] MIN. MATTE-TIN PLATING ON SOLDERING AREA. 0.76um [30u"] MIN. NICKEL UNDERPLATING OVERALL.
 - WAVE SOLDER CAPABLE TO 265°C PER TE SPEC. 109-202, CONDITION B.
 - RECOMMENDED PCB THICKNESS: 1.6mm
 - SUITABLE FOR BATTERY NO.: CR2032.
- ⚠️ LOW PCB RETENTION FORCE.



RECOMMENDED PCB HOLE LAYOUT
PCB TOLERANCE ±0.05



RECOMMENDED PCB HOLE LAYOUT
PCB TOLERANCE ±0.05



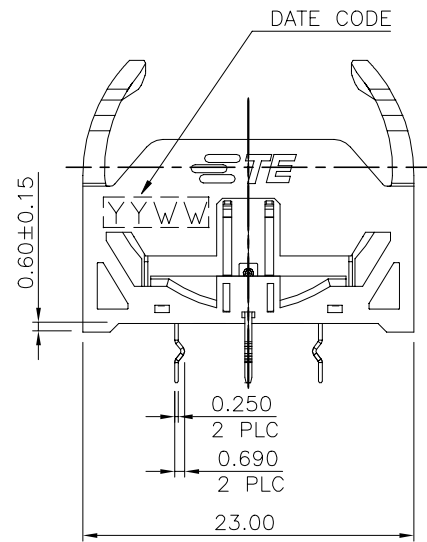
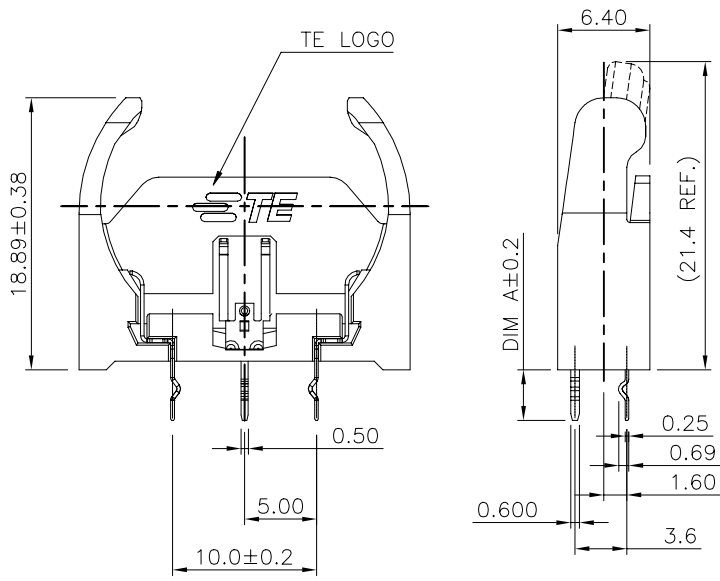
PRODUCT AS SHOWN
(0.60mm Height Standoff)

SOFT TRAY	1775485-3
PACKING	PART NO.

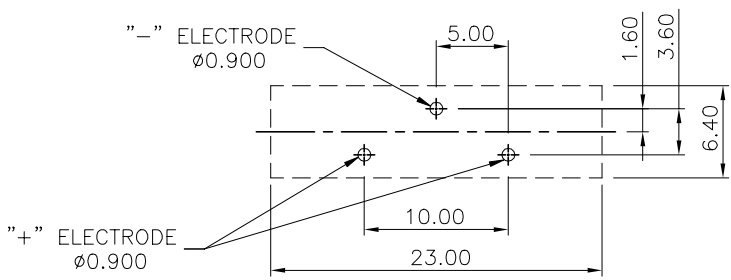
THIS DRAWING IS A CONTROLLED DOCUMENT.		DWN S. CHIEN	03JUN2008	TE Connectivity													
DIMENSIONS: MM		CHK S. CHIEN	03JUN2008														
TOLERANCES UNLESS OTHERWISE SPECIFIED:		APVD W. KODAMA	03JUN2008	NAME													
<table border="0"> <tr><td>0 PLC</td><td>± -</td></tr> <tr><td>1 PLC</td><td>± 0.38</td></tr> <tr><td>2 PLC</td><td>± 0.25</td></tr> <tr><td>3 PLC</td><td>± 0.15</td></tr> <tr><td>4 PLC</td><td>± -</td></tr> <tr><td>ANGLES</td><td>± 2'</td></tr> </table>		0 PLC	± -	1 PLC	± 0.38	2 PLC	± 0.25	3 PLC	± 0.15	4 PLC	± -	ANGLES	± 2'	PRODUCT SPEC 108-57542		BATTERY HOLDER, H=18.9mm V/T	
0 PLC	± -																
1 PLC	± 0.38																
2 PLC	± 0.25																
3 PLC	± 0.15																
4 PLC	± -																
ANGLES	± 2'																
MATERIAL SEE NOTE		QUALIFICATION TEST REPORT 501-57624		SIZE	RESTRICTED TO												
FINISH SEE NOTE		WEIGHT 1.19 GRAMS		CAGE CODE A300779	DRAWING NO. C=1775485												
CUSTOMER DRAWING				SCALE	SHEET												
				2 OF 4	REV B2												

THIS DRAWING IS UNPUBLISHED. RELEASED FOR PUBLICATION AUG ,2006.
 © COPYRIGHT BY TYCO ELECTRONICS CORPORATION. ALL RIGHTS RESERVED.

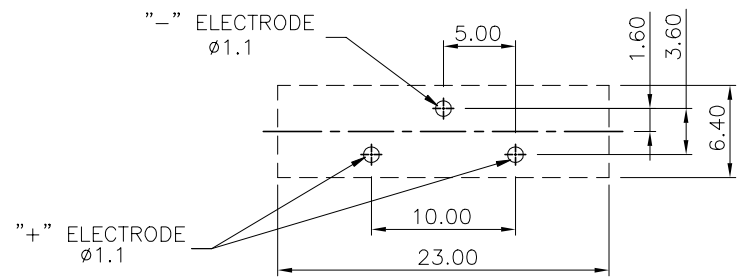
LOC	DIST	REVISIONS			
P	LTR	DESCRIPTION	DATE	DWN	APVD
SEE SHEET 1.					



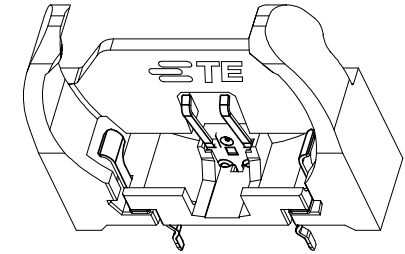
- NOTES :
- MATERIAL :
 - HOUSING: UL94 V-0, PA SERIES COLOR: SEE TABLE
 - CONTACT: STAINLESS STEEL
 - FINISH :
 - CONTACT
 - GOLD FLASH PLATING ON CONTACT AREA, 2.54um [100u"] MIN. MATTE-TIN PLATING ON SOLDERING AREA.
 - 0.76um [30u"] MIN. NICKEL UNDERPLATING OVERALL.
 - WAVE SOLDER CAPABLE TO 265°C PER TE SPEC. 109-202, CONDITION B.
 - RECOMMENDED PCB THICKNESS: 1.6mm
 - SUITABLE FOR BATTERY NO.: CR2032.
 - △ LOW PCB RETENTION FORCE.
 - 3-1775485-2 AND 4-1775485-2 ARE PRELIMINARY PART



RECOMMENDED PCB HOLE LAYOUT
PCB TOLERANCE ±0.05



△ RECOMMENDED PCB HOLE LAYOUT
PCB TOLERANCE ±0.05



3.00	PA10T HF & BLACK	3-1775485-2
3.50	PA10T HF&2718C BLUE	2-1775485-2
DIM A	HOUSING COLOR	PART NO.

THIS DRAWING IS A CONTROLLED DOCUMENT.		DWN S. CHIEN 03JUN2008	STE TE Connectivity	
DIMENSIONS: MM		CHK S. CHIEN 03JUN2008		
TOLERANCES UNLESS OTHERWISE SPECIFIED:		APVD W. KODAMA 03JUN2008	NAME	
0 PLC ± -		PRODUCT SPEC	BATTERY HOLDER, H=18.9mm V/T	
1 PLC ± 0.38		108-57542	QUALIFICATION TEST REPORT	
2 PLC ± 0.25		501-57624	WEIGHT	
3 PLC ± 0.15		1.19 GRAMS	A3 00779 C=1775485	
4 PLC ANGLES ± 2°		CUSTOMER DRAWING	RESTRICTED TO	
MATERIAL SEE NOTE		FINISH SEE NOTE	SCALE	SHEET 3 OF 4
			REV	B2

THIS DRAWING IS UNPUBLISHED.

RELEASED FOR PUBLICATION

AUG ,2006.

© COPYRIGHT - BY TYCO ELECTRONICS CORPORATION.

ALL RIGHTS RESERVED.

LOC DW

DIST

REVISIONS

P	LTR	DESCRIPTION	DATE	DWN	APVD
		SEE SHEET 1.			

NOTES :

1. MATERIAL:

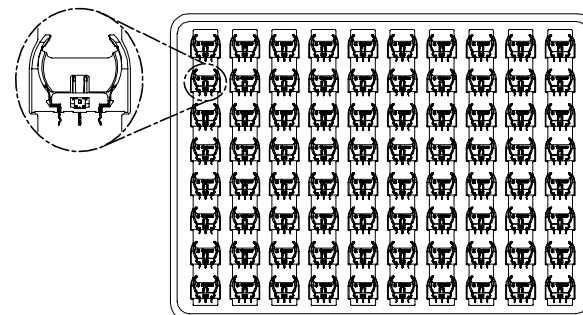
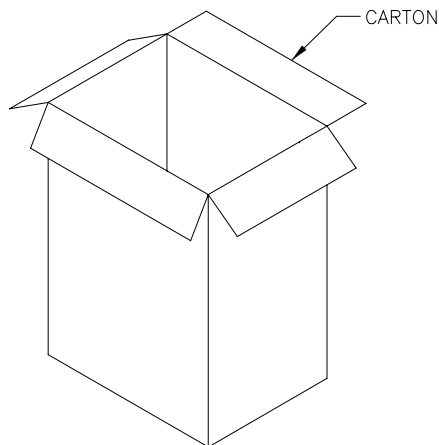
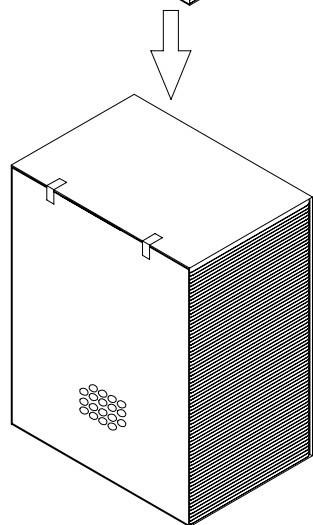
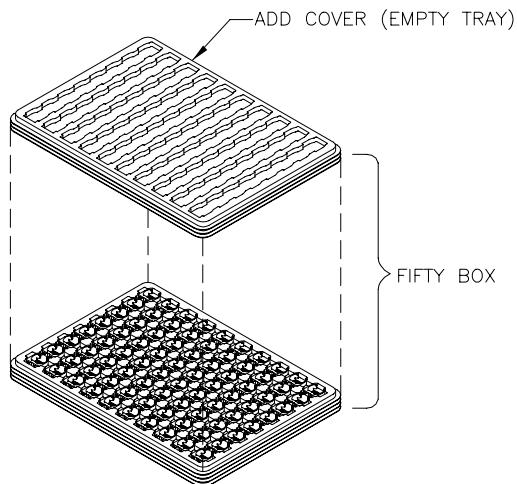
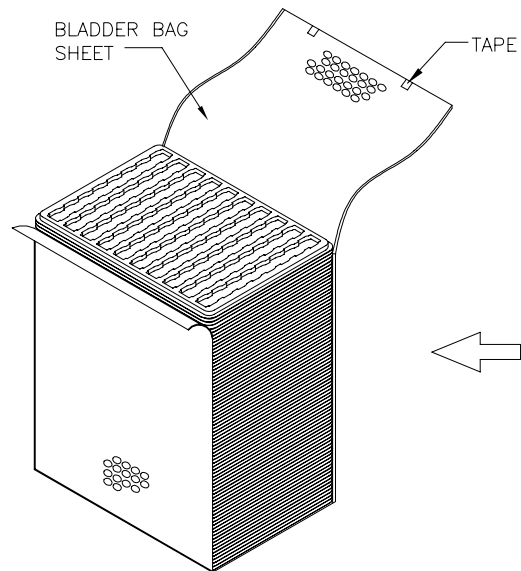
1.1 TRAY:

- 1775485-1/1775485-2/1775485-4/1775485-5 SOFT TRAY
- 1-1775485-1/1-1775485-2/2-1775485-1 SOFT TRAY
- 2-1775485-2/1775485-3 SOFT TRAY
- 2-1775485-4/3-1775485-2 HARD TRAY

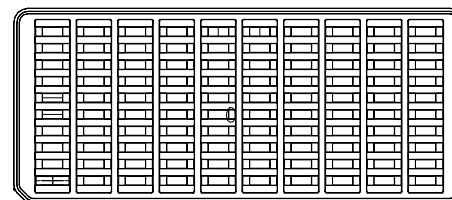
1.2 SHIPPING CARTON: CORRUGATED FIBERBOARD

2. QUANTITY:

- 2.1 PRIMARY PACKING: 80 PCS/TRAY SOFT TRAY
- 100 PCS/TRAY HARD TRAY
- 2.2 SECONDARY PACKING: 50 TRAY/CARTON(4,000PCS)
- 20 TRAY/CARTON(2,000PCS)



SOFT TRAY



HARD TRAY

THIS DRAWING IS A CONTROLLED DOCUMENT.		DWN	STE TE Connectivity	
		CHK		
DIMENSIONS: MM		APVD	NAME	
TOLERANCES UNLESS OTHERWISE SPECIFIED:		PRODUCT SPEC	BATTERY HOLDER, H=18.5mm, V/T	
0 PLC ± -		APPLICATION SPEC	SIZE	CAGE CODE
1 PLC ± -			A3	00779
2 PLC ± -		WEIGHT	DRAWING NO	
3 PLC ± -			C=1775485	
4 PLC ± -		CUSTOMER DRAWING	SCALE	SHEET
ANGLES ± -			-	4 OF 4
MATERIAL	FINISH			REV B2

X-ON Electronics

Largest Supplier of Electrical and Electronic Components

Click to view similar products for [Coin Cell Battery Holders](#) category:

Click to view products by [TE Connectivity](#) manufacturer:

Other Similar products are found below :

[PDSN-11-D](#) [799-2007](#) [BH44AAB](#) [BH48DL](#) [BH8000](#) [BS-6-1](#) [3035](#) [103](#) [D3](#) [46400000](#) [BC-0403](#) [BH-121-1B](#) [BH-1/2AA-2A](#) [BH-131A](#)
[BH-3101A](#) [BH-3103B](#) [BH-311-1A](#) [BH-311-1D](#) [BH-321-1A](#) [BH-321-1B](#) [BH-321-1D](#) [BH-331-3D](#) [BH-333A](#) [BH-341-1P](#) [BH-342-1A](#) [BH-351A](#) [BH-362B](#) [BH-383A](#) [BH-421A](#) [BH-422A](#) [BH-425A](#) [BH-431-1B](#) [BH-463A](#) [BH-511A](#) [BHC-18650-1P](#) [46300000](#) [46600000](#) [799-2001](#)
[SBH-331A](#) [SBH-341-1A](#) [SBH-341-AS](#) [SBH-421-1A](#) [SBH-431-1AS](#) [SBH-441A](#) [SBH-9VA](#) [BH-121-1A](#) [BHC-18650-1A](#) [SBH-421-1AS](#)
[SBH-441AS](#) [3001](#)