

THIS DRAWING IS UNPUBLISHED.

RELEASED FOR PUBLICATION

AUG ,2006.

© COPYRIGHT BY TYCO ELECTRONICS CORPORATION.

ALL RIGHTS RESERVED.

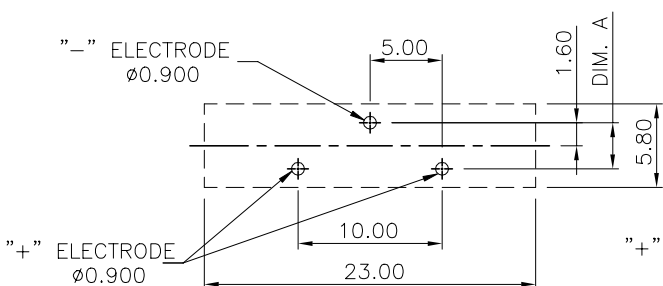
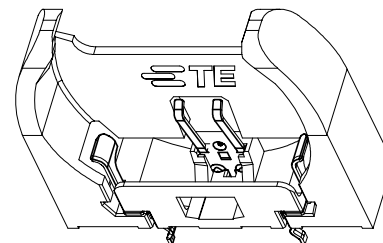
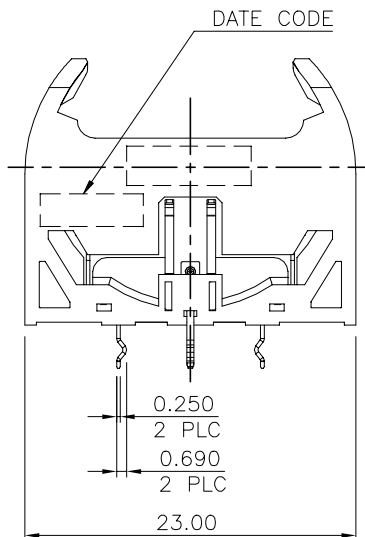
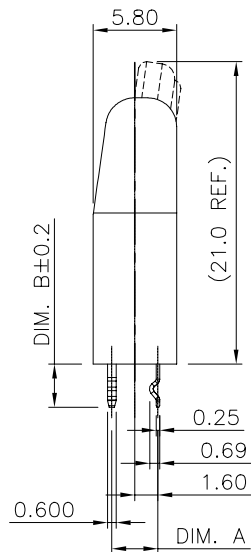
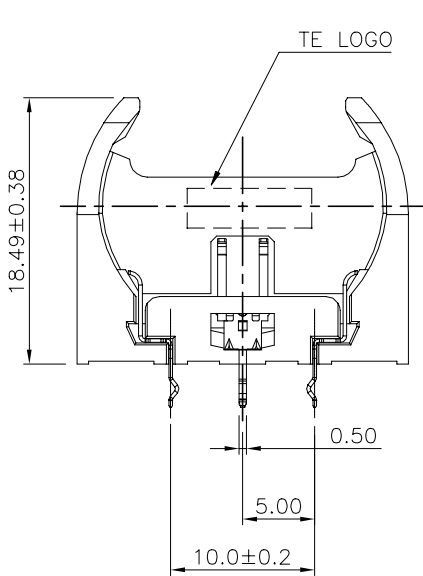
LOC DW DIST

REVISIONS

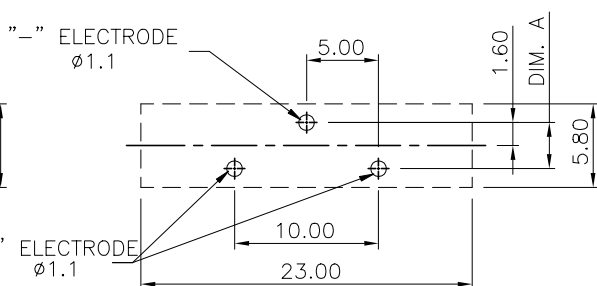
P	LTR	DESCRIPTION	DATE	DWN	APVD
B1		REVISED PER ECO-19-018013	10MAR20	K.G	W.H
B2		REVISED PER ECO-20-011206	10JUN20	K.G	W.H

NOTES :

- MATERIAL :
 - HOUSING: MATERIAL AND COLOR: SEE TABLE, UL94 V-0
 - CONTACT: STAINLESS STEEL
- FINISH : CONTACT
 - 2.1 GOLD FLASH PLATING ON CONTACT AREA, 2.54um [100u"] MIN. MATTE-TIN PLATING ON SOLDERING AREA. 0.76um [30u"] MIN. NICKEL UNDERPLATING OVERALL.
 - 2.2 GOLD PLATING 0.125um [5u"] MIN.ON CONTACT AREA, 2.54um [100u"] MIN. MATTE-TIN PLATING ON SOLDERING AREA. 1.25um [50u"] MIN. NICKEL UNDERPLATING OVERALL.
- WAVE SOLDER CAPABLE TO 265°C PER TE SPEC. 109-202, CONDITION B.
- RECOMMENDED PCB THICKNESS: 1.6mm
- SUITABLE FOR BATTERY NO.: CR2032.
6. LOW PCB RETENTION FORCE.



RECOMMENDED PCB HOLE LAYOUT
PCB TOLERANCE ±0.05



RECOMMENDED PCB HOLE LAYOUT
PCB TOLERANCE ±0.05

2.1	3.0 mm	3.2 mm	PA-66 & BLACK	2-1775485-4
2.2	3.6 mm	3.6 mm	PA-66 & BLACK	1775485-5
2.1				2-1775485-1
2.1	3.0 mm	3.2 mm	PA-66 & 2718C BLUE	1-1775485-2
2.1			PA-66 & BLACK	1-1775485-1
2.1			PA-66 & 2718C BLUE	1775485-2
2.2	3.0 mm	3.6 mm	PA-66 & BLACK	1775485-4
2.1				1775485-1
FINISHED	DIM B	DIM A	HOUSING MATERIAL&COLOR	PART NO.

THIS DRAWING IS A CONTROLLED DOCUMENT.

DWN	S. CHIEN	03JUN2008	STE TE Connectivity
CHK	S. CHIEN	03JUN2008	
APVD	W. KODAMA	03JUN2008	
PRODUCT SPEC			NAME
108-57542			
QUALIFICATION TEST REPORT			BATTERY HOLDER, H=18.5mm, V/T
501-57624			
MATERIAL	SEE NOTE	FINISH	SEE NOTE
WEIGHT		1.19 GRAMS	SIZE
CUSTOMER DRAWING		A3	CAGE CODE
		00779	DRAWING NO
		C=1775485	RESTRICTED TO
		SCALE	SHEET
		1 OF 4	REV B2

THIS DRAWING IS UNPUBLISHED.

RELEASED FOR PUBLICATION

AUG ,2006.

© COPYRIGHT BY TYCO ELECTRONICS CORPORATION.

ALL RIGHTS RESERVED.

LOC DW

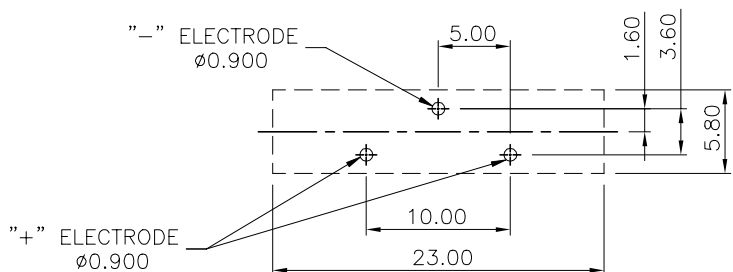
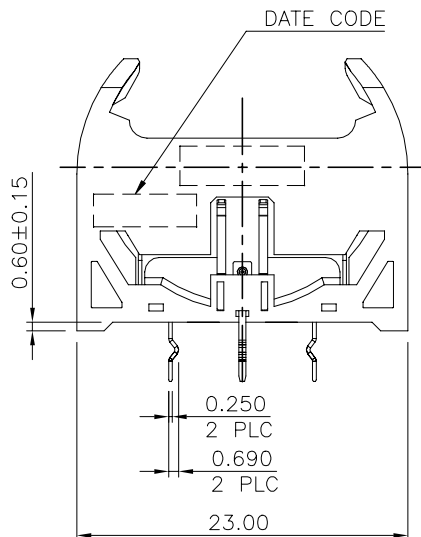
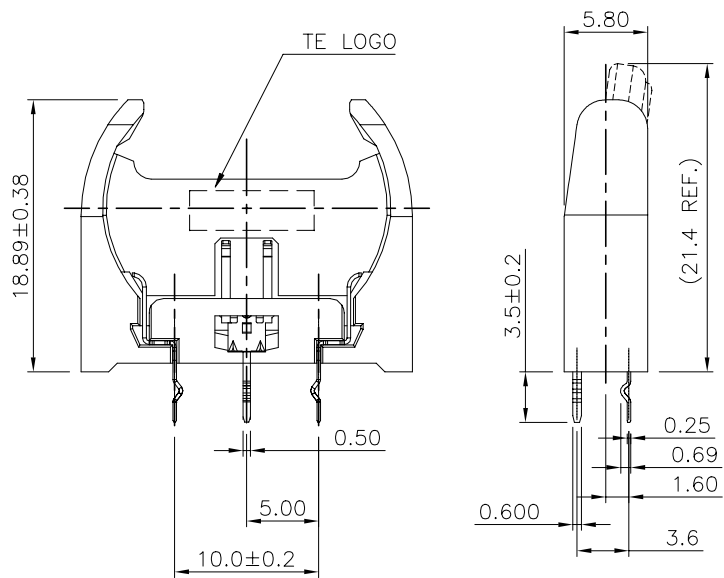
DIST

REVISIONS

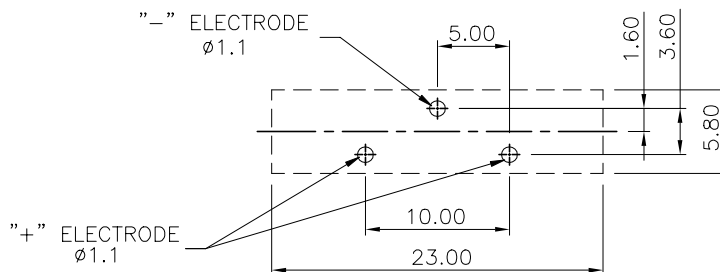
P	LTR	DESCRIPTION	DATE	DWN	APVD
		SEE SHEET 1.			

NOTES :

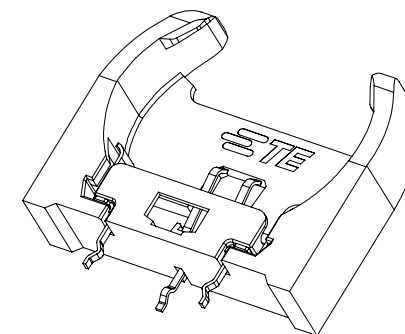
- MATERIAL :
 - HOUSING: UL94 V-0, PA SERIES COLOR: SEE TABLE
 - CONTACT: STAINLESS STEEL
 - FINISH :
 - CONTACT
 - GOLD FLASH PLATING ON CONTACT AREA, 2.54um [100u"] MIN. MATTE-TIN PLATING ON SOLDERING AREA. 0.76um [30u"] MIN. NICKEL UNDERPLATING OVERALL.
 - WAVE SOLDER CAPABLE TO 265°C PER TE SPEC. 109-202, CONDITION B.
 - RECOMMENDED PCB THICKNESS: 1.6mm
 - SUITABLE FOR BATTERY NO.: CR2032.
- ⚠️ LOW PCB RETENTION FORCE.



RECOMMENDED PCB HOLE LAYOUT
PCB TOLERANCE ±0.05



RECOMMENDED PCB HOLE LAYOUT
PCB TOLERANCE ±0.05



PRODUCT AS SHOWN
(0.60mm Height Standoff)

SOFT TRAY	1775485-3
PACKING	PART NO.

THIS DRAWING IS A CONTROLLED DOCUMENT.		DWN S. CHIEN 03JUN2008	TE Connectivity													
DIMENSIONS: MM		CHK S. CHIEN 03JUN2008														
TOLERANCES UNLESS OTHERWISE SPECIFIED:		APVD W. KODAMA 03JUN2008	NAME													
<table border="0"> <tr><td>0 PLC</td><td>± -</td></tr> <tr><td>1 PLC</td><td>± 0.38</td></tr> <tr><td>2 PLC</td><td>± 0.25</td></tr> <tr><td>3 PLC</td><td>± 0.15</td></tr> <tr><td>4 PLC</td><td>± -</td></tr> <tr><td>ANGLES</td><td>± 2'</td></tr> </table>		0 PLC	± -	1 PLC	± 0.38	2 PLC	± 0.25	3 PLC	± 0.15	4 PLC	± -	ANGLES	± 2'	PRODUCT SPEC 108-57542	BATTERY HOLDER, H=18.9mm V/T	
0 PLC	± -															
1 PLC	± 0.38															
2 PLC	± 0.25															
3 PLC	± 0.15															
4 PLC	± -															
ANGLES	± 2'															
MATERIAL SEE NOTE		QUALIFICATION TEST REPORT 501-57624	SIZE A3	CAGE CODE 00779												
FINISH SEE NOTE		WEIGHT 1.19 GRAMS	DRAWING NO C=1775485	RESTRICTED TO												
CUSTOMER DRAWING			SCALE -	SHEET 2 OF 4												
			REV B2													

THIS DRAWING IS UNPUBLISHED.

RELEASED FOR PUBLICATION

AUG ,2006.

© COPYRIGHT BY TYCO ELECTRONICS CORPORATION.

ALL RIGHTS RESERVED.

LOC DW

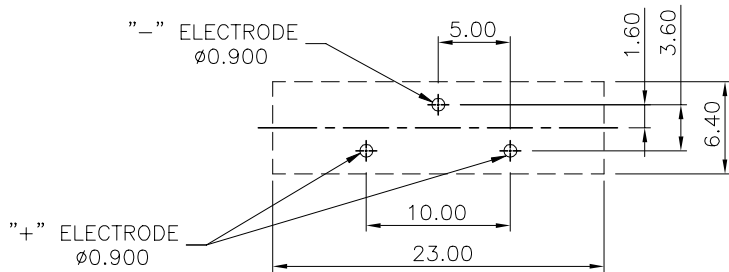
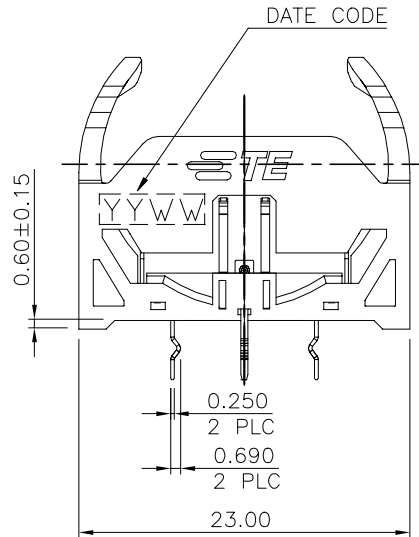
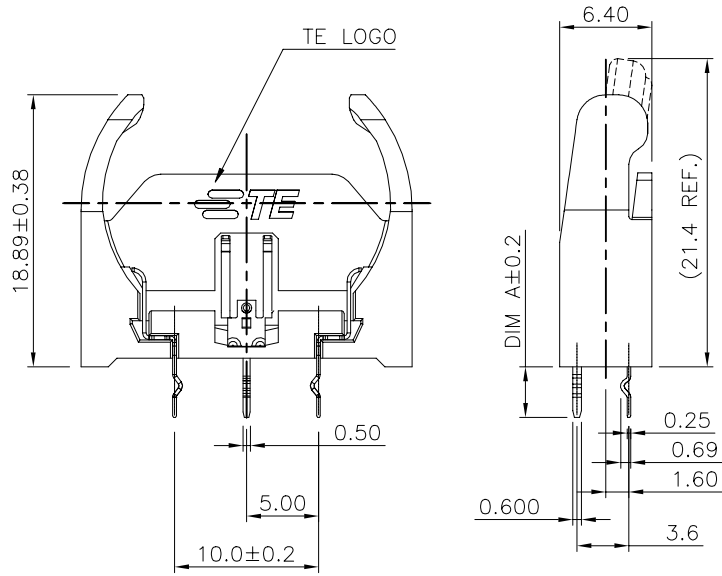
DIST

REVISIONS

P	LTR	DESCRIPTION	DATE	DWN	APVD
		SEE SHEET 1.			

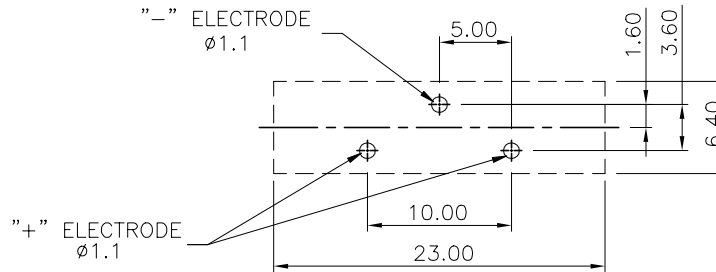
NOTES :

- MATERIAL :
 - HOUSING: UL94 V-0, PA SERIES COLOR: SEE TABLE
 - CONTACT: STAINLESS STEEL
- FINISH :
 - CONTACT
 - GOLD FLASH PLATING ON CONTACT AREA, 2.54um [100u"] MIN. MATTE-TIN PLATING ON SOLDERING AREA.
 - 0.76um [30u"] MIN. NICKEL UNDERPLATING OVERALL.
- WAVE SOLDER CAPABLE TO 265°C PER TE SPEC. 109-202, CONDITION B.
- RECOMMENDED PCB THICKNESS: 1.6mm
- SUITABLE FOR BATTERY NO.: CR2032.
- △ LOW PCB RETENTION FORCE.
- 3-1775485-2 AND 4-1775485-2 ARE PRELIMINARY PART



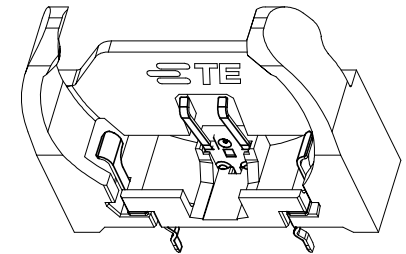
RECOMMENDED PCB HOLE LAYOUT

PCB TOLERANCE ±0.05



△ RECOMMENDED PCB HOLE LAYOUT

PCB TOLERANCE ±0.05



3.00	PA10T HF & BLACK	3-1775485-2
3.50	PA10T HF&2718C BLUE	2-1775485-2
DIM A	HOUSING COLOR	PART NO.

THIS DRAWING IS A CONTROLLED DOCUMENT.		DWN S. CHIEN 03JUN2008	STE TE Connectivity	
DIMENSIONS: MM		CHK S. CHIEN 03JUN2008		
TOLERANCES UNLESS OTHERWISE SPECIFIED:		APVD W. KODAMA 03JUN2008	NAME	
0 PLC ± -		PRODUCT SPEC	BATTERY HOLDER, H=18.9mm V/T	
1 PLC ± 0.38		108-57542	QUALIFICATION TEST REPORT	
2 PLC ± 0.25		501-57624	SIZE	CAGE CODE
3 PLC ± 0.15		WEIGHT	A3	00779
4 PLC ± -		CUSTOMER DRAWING	DRAWING NO	
ANGLES ± 2'		SCALE	C=1775485	
MATERIAL SEE NOTE	FINISH SEE NOTE	SHEET		REV
		3 OF 4		B2

THIS DRAWING IS UNPUBLISHED.

RELEASED FOR PUBLICATION

AUG ,2006.

© COPYRIGHT - BY TYCO ELECTRONICS CORPORATION.

ALL RIGHTS RESERVED.

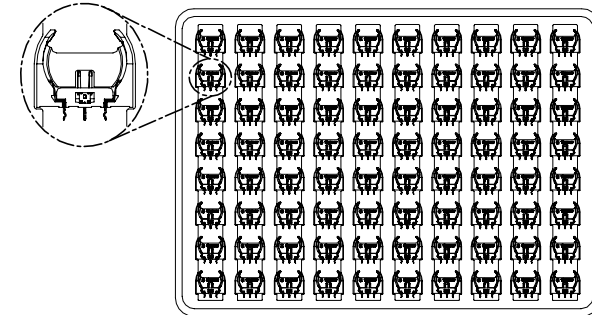
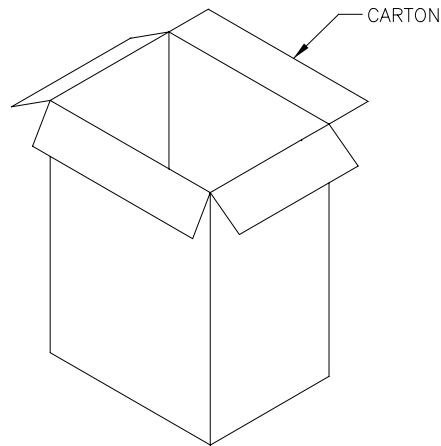
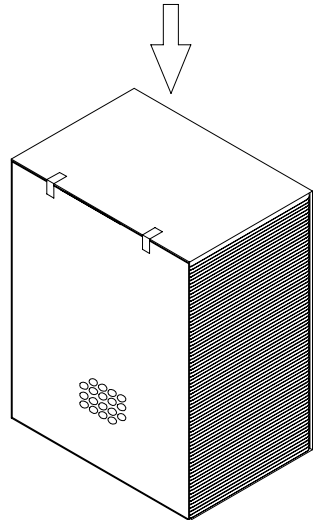
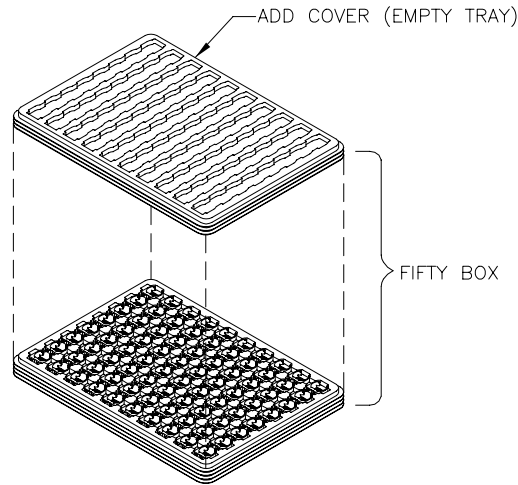
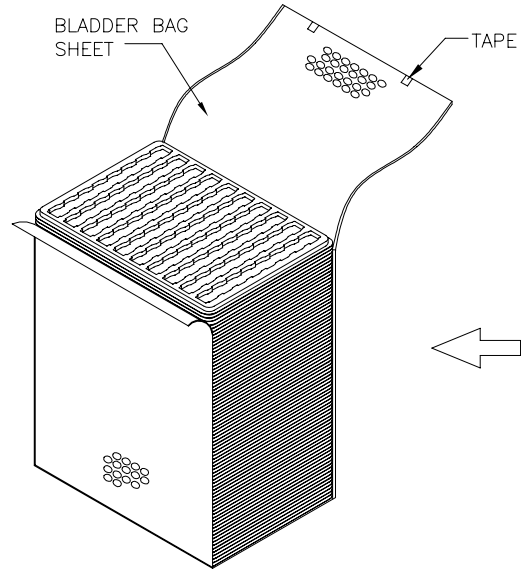
LOC DW DIST

REVISIONS

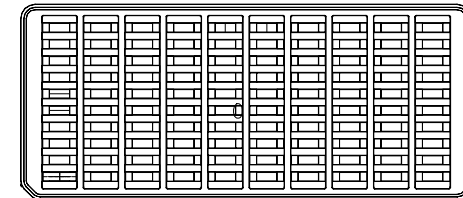
P	LTR	DESCRIPTION	DATE	DWN	APVD
		SEE SHEET 1.			

NOTES :

- 1. MATERIAL:
 - 1.1 TRAY:
 - 1775485-1/1775485-2/1775485-4/1775485-5 SOFT TRAY
 - 1-1775485-1/1-1775485-2/2-1775485-1 SOFT TRAY
 - 2-1775485-2/1775485-3 SOFT TRAY
 - 2-1775485-4/3-1775485-2 HARD TRAY
 - 1.2 SHIPPING CARTON: CORRUGATED FIBERBOARD
- 2. QUANTITY:
 - 2.1 PRIMARY PACKING: 80 PCS/TRAY SOFT TRAY
 - 100 PCS/TRAY HARD TRAY
 - 2.2 SECONDARY PACKING: 50 TRAY/CARTON(4,000PCS)
 - 20 TRAY/CARTON(2,000PCS)



SOFT TRAY



HARD TRAY

THIS DRAWING IS A CONTROLLED DOCUMENT.

DIMENSIONS: MM		TOLERANCES UNLESS OTHERWISE SPECIFIED:	
		0 PLC	± -
		1 PLC	± -
		2 PLC	± -
		3 PLC	± -
		4 PLC ANGLES	± -
MATERIAL	FINISH		

DWN	TE Connectivity		
CHK	NAME		
APVD	BATTERY HOLDER, H=18.5mm, V/T		
PRODUCT SPEC	SIZE	CAGE CODE	DRAWING NO
APPLICATION SPEC	A3	00779	C=1775485
WEIGHT	CUSTOMER DRAWING		RESTRICTED TO
SCALE	SHEET	4 OF 4	REV B2

X-ON Electronics

Largest Supplier of Electrical and Electronic Components

Click to view similar products for [Coin Cell Battery Holders](#) category:

Click to view products by [TE Connectivity](#) manufacturer:

Other Similar products are found below :

[PDSN-11-D](#) [1058](#) [1052](#) [799-2007](#) [BH44AAB](#) [BH48DL](#) [BH8000](#) [BS-6-1](#) [79573231](#) [101](#) [3035](#) [1025](#) [1026](#) [1027](#) [103](#) [1059](#) [1060](#) [1063](#)
[1065](#) [1068](#) [1093](#) [D3](#) [46400000](#) [BC-0403](#) [BH-121-1B](#) [BH-1/2AA-2A](#) [BH-131A](#) [BH-3101A](#) [BH-3103B](#) [BH-311-1A](#) [BH-311-1D](#) [BH-321-1A](#) [BH-321-1B](#) [BH-321-1D](#) [BH-331-3D](#) [BH-333A](#) [BH-341-1P](#) [BH-342-1A](#) [BH-351A](#) [BH-362B](#) [BH-383A](#) [BH-421A](#) [BH-422A](#) [BH-425A](#)
[BH-431-1B](#) [BH-463A](#) [BH-511A](#) [BHC-18650-1P](#) [46300000](#) [46600000](#)