

4

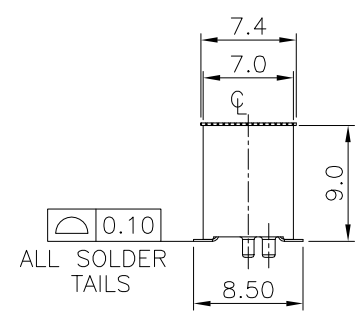
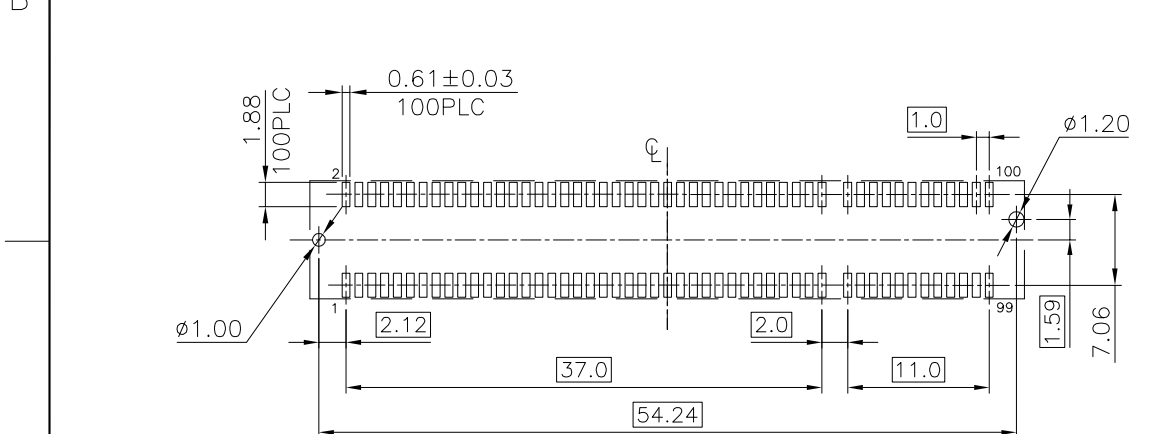
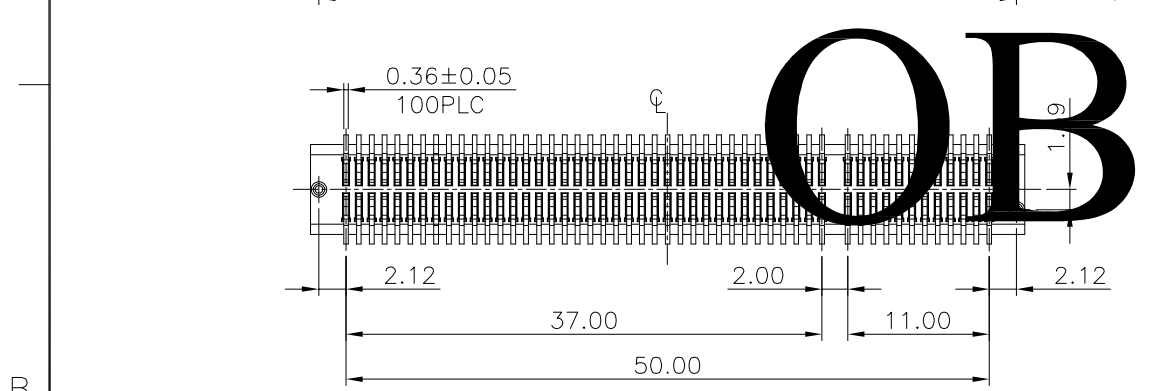
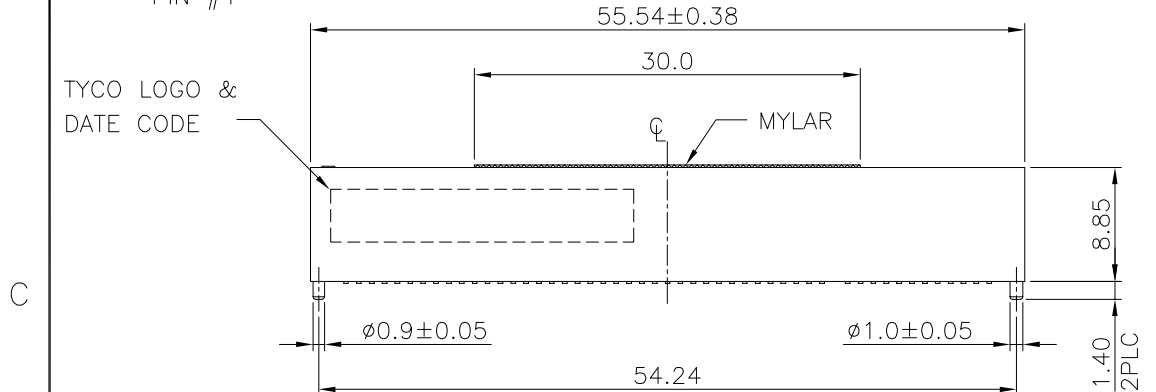
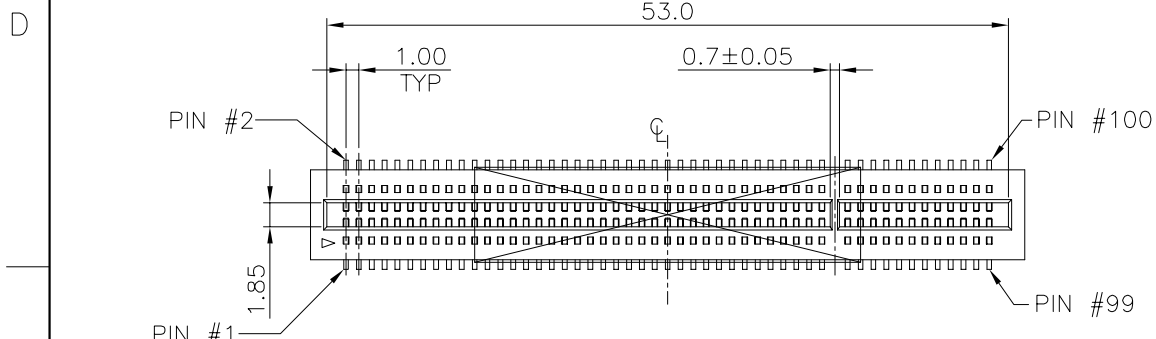
3

2

1

THIS DRAWING IS UNPUBLISHED. RELEASED FOR PUBLICATION
© COPYRIGHT BY TYCO ELECTRONICS CORPORATION. ALL RIGHTS RESERVED.

LOC	DIST	REVISIONS					
		P	LTR	DESCRIPTION	DATE	DWN	APVD
DW	-		A	RELEASED	02AUG07	JL	WK
			A1	ECO-15-012216	05FEB16	SZ	SZ

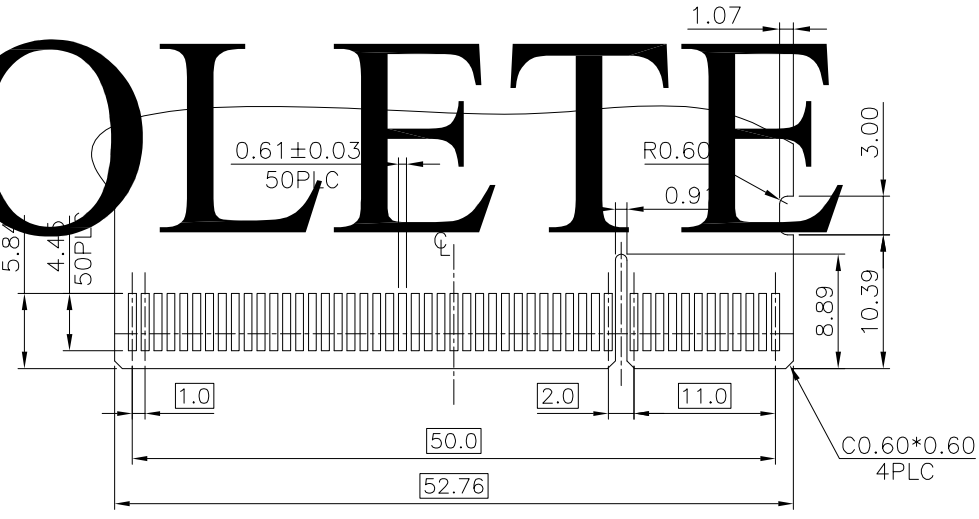


NOTES:

- MATERIAL:
HOUSING: LCP WITH 30% GF, UL 94V-0, BLACK COLOR.
CONTACTS: PHOSPHOR BRONZE.
- FINISH:
CONTACTS: GOLD FLASH PLATED ON CONTACT AREA,
2.54um [100u"] MIN. MATTE-TIN PLATED ON SOLDER TAIL,
1.27um [50u"] MIN. NICKEL UNDERPLATED ALL OVER.
- REFLOW SOLDER CAPABLE TO 260°C PER TYCO TEST SPEC.
109-201, CONDITION B.

POST TYPE 1

OBSOLETE



RECOMMENDED CARD PCB LAYOUT
TOLERANCES ±0.05

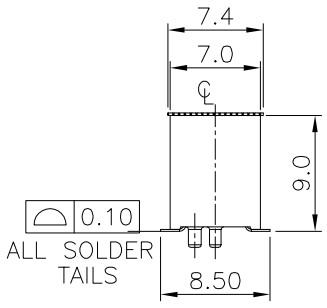
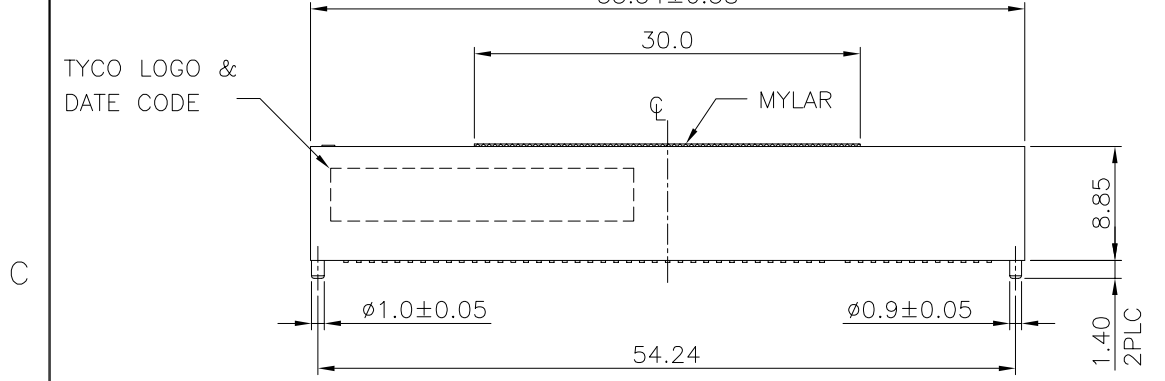
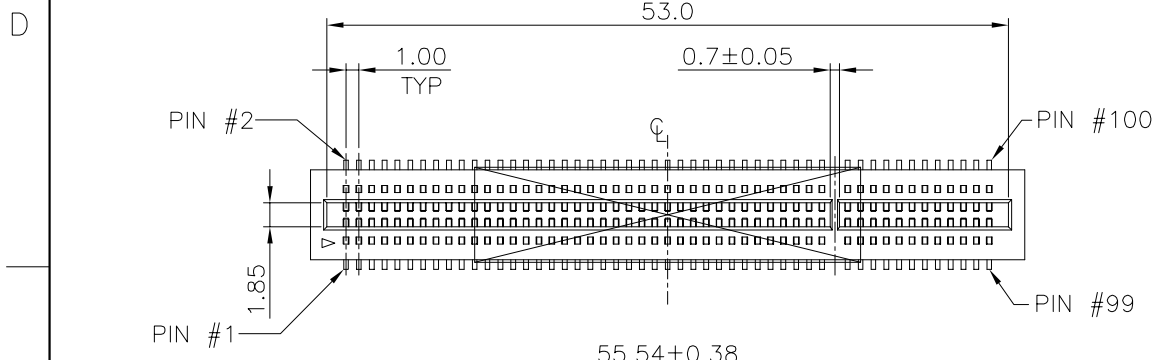
OBSOLETE -1775520-1-
PART NUMBER

RECOMMENDED PCB LAYOUT
TOLERANCES ±0.05
(TOP VIEW)

THIS DRAWING IS A CONTROLLED DOCUMENT.		DWN J. LEE	02AUG2007	Tyco Electronics Corporation Taipei, Taiwan	
DIMENSIONS: MM		CHK S. HOU	02AUG2007	NAME	
TOLERANCES UNLESS OTHERWISE SPECIFIED:		APVD W.J. KE	02AUG2007	1.0mm CARD EDGE, 100PIN, SMT, CONNECTOR	
0 PLC ± -	1 PLC ± 0.30	PRODUCT SPEC	108-57646		
2 PLC ± 0.20	3 PLC ± -	QUALIFICATION TEST REPORT	501-57752		
4 PLC ± -	ANGLES ± 3'	WEIGHT	4.0GRAMS		
MATERIAL SEE NOTE	FINISH SEE NOTE	CUSTOMER DRAWING		SIZE A3	CAGE CODE 00779
				DRAWING NO. C=1775520	RESTRICTED TO -
				SCALE -	SHEET 1 of 3
				REV A1	

THIS DRAWING IS UNPUBLISHED. RELEASED FOR PUBLICATION
 © COPYRIGHT BY TYCO ELECTRONICS CORPORATION. ALL RIGHTS RESERVED.

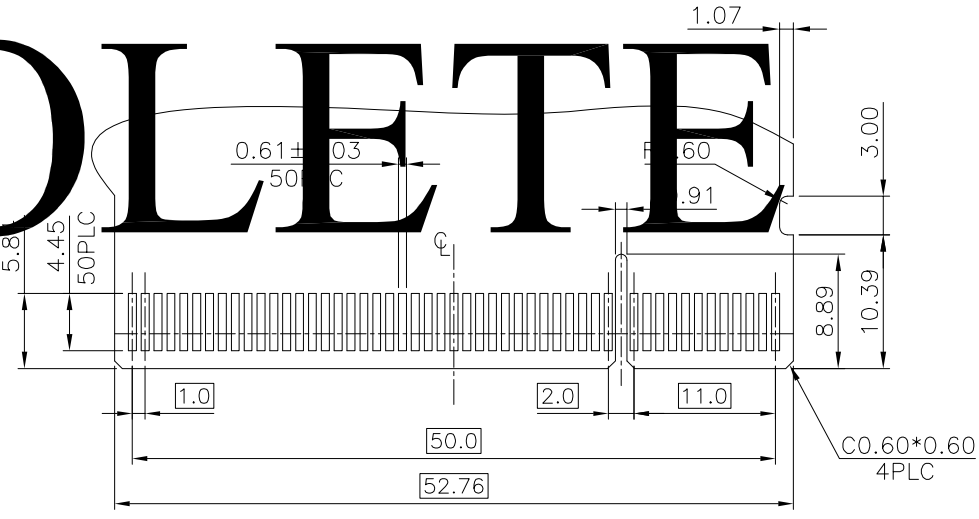
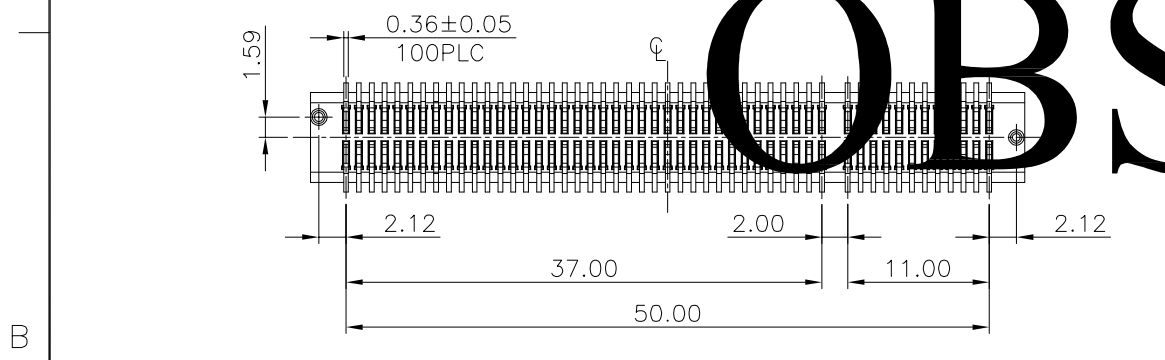
LOC	DIST	REVISIONS					
		P	LTR	DESCRIPTION	DATE	DWN	APVD
DW	-			SEE SHEET 1.			



- NOTES:
- MATERIAL:
HOUSING: LCP WITH 30% GF, UL 94V-0, BLACK COLOR.
CONTACTS: PHOSPHOR BRONZE.
 - FINISH:
CONTACTS: GOLD FLASH PLATED ON CONTACT AREA,
2.54um [100u"] MIN. MATTE-TIN PLATED ON SOLDER TAIL,
1.27um [50u"] MIN. NICKEL UNDERPLATED ALL OVER.
 - REFLOW SOLDER CAPABLE TO 260°C PER TE TEST SPEC.
109-201, CONDITION B.

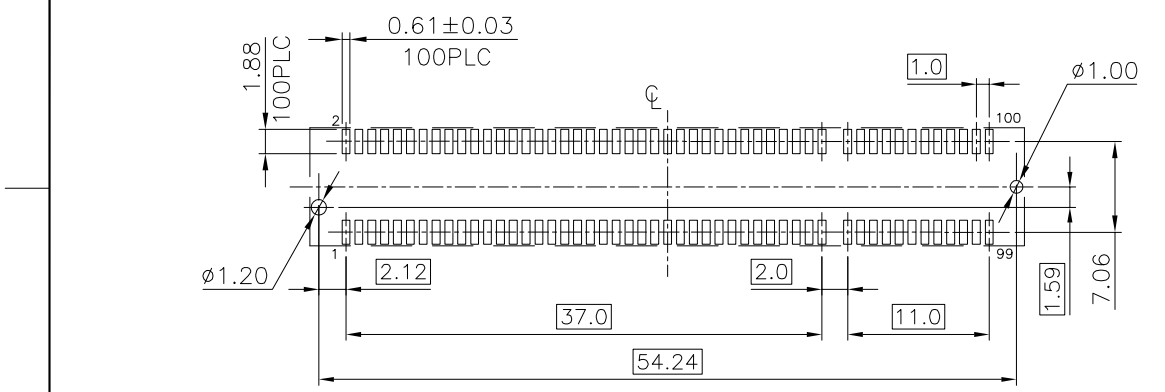
POST TYPE 2

OBSOLETE



RECOMMENDED CARD PCB LAYOUT
TOLERANCES ±0.05

OBSOLETE 1-1775520-1
PART NUMBER

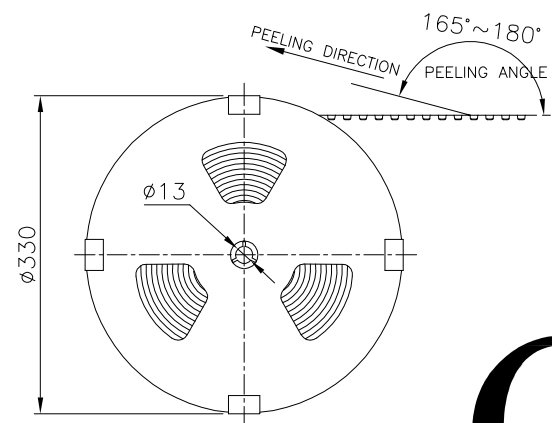
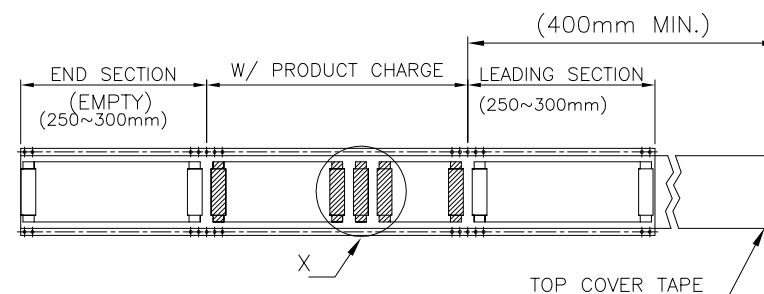
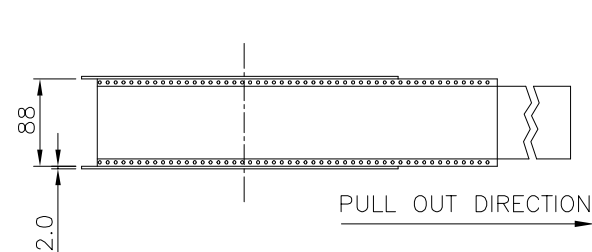


RECOMMENDED PCB LAYOUT
TOLERANCES ±0.05
(TOP VIEW)

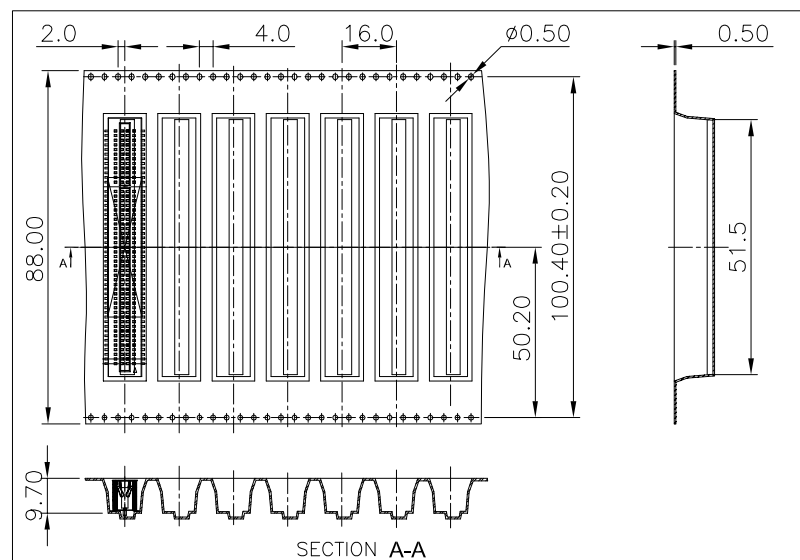
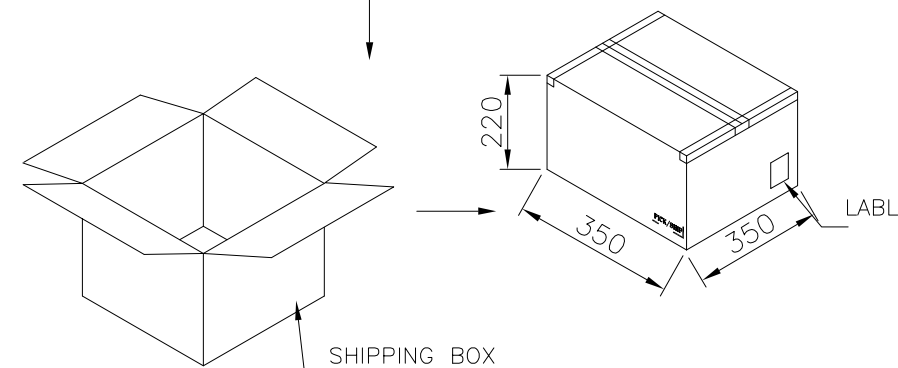
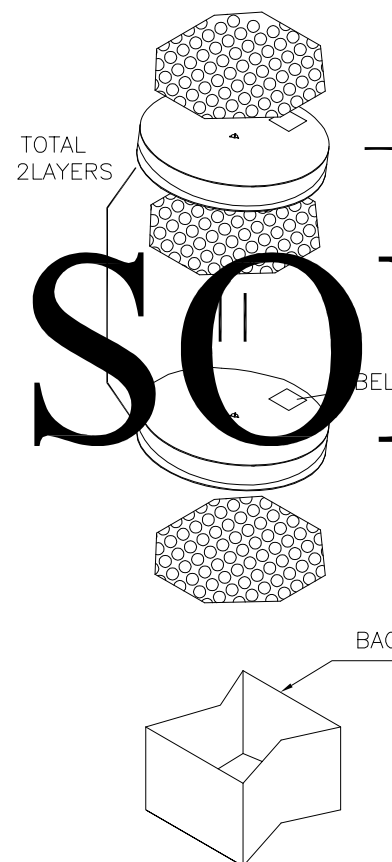
THIS DRAWING IS A CONTROLLED DOCUMENT.		DWN J. LEE 02AUG2007	Tyco Electronics Corporation Taipei, Taiwan	
DIMENSIONS: MM		CHK S. HOU 02AUG2007	NAME	
TOLERANCES UNLESS OTHERWISE SPECIFIED:		APVD W.J. KE 02AUG2007	1.0mm CARD EDGE, 100PIN, SMT, CONNECTOR	
0 PLC ± -		PRODUCT SPEC	SIZE	CAGE CODE
1 PLC ± 0.30		108-57646	A3	00779
2 PLC ± 0.20		QUALIFICATION TEST REPORT	DRAWING NO	
3 PLC ± -		501-57752	C=1775520	
4 PLC ± -		WEIGHT	RESTRICTED TO	
ANGLES ± 3'		4.0GRAMS	-	
MATERIAL SEE NOTE	FINISH SEE NOTE	CUSTOMER DRAWING		SCALE - SHEET 2 of 3 REV A1

THIS DRAWING IS UNPUBLISHED. RELEASED FOR PUBLICATION
 © COPYRIGHT BY TYCO ELECTRONICS CORPORATION. ALL RIGHTS RESERVED.

LOC	DIST	REVISIONS					
DW	-	P	LTR	DESCRIPTION	DATE	DWN	APVD
				SEE SHEET 1.			



OBSOLETE



300	2	600	3.8	2.4
PCS/TAPE	REEL/BOX	QUANTITY	G/W (KG)	N/W (KG)

THIS DRAWING IS A CONTROLLED DOCUMENT.		DWN J. LEE 02AUG2007	Tyco Electronics Corporation Taipei, Taiwan	
DIMENSIONS: MM		CHK S. HOU 02AUG2007	NAME	
TOLERANCES UNLESS OTHERWISE SPECIFIED:		APVD W.J. KE 02AUG2007	1.0mm CARD EDGE, 100PIN, SMT, CONNECTOR	
0 PLC ± -		PRODUCT SPEC	SIZE	
1 PLC ± -		APPLICATION SPEC	CAGE CODE	DRAWING NO
2 PLC ± -		WEIGHT	A300779	C=1775520
3 PLC ± -		CUSTOMER DRAWING	RESTRICTED TO	-
4 PLC ± -		SCALE	SHEET	REV
ANGLES ± -		-	3 of 3	A1
FINISH		-		

X-ON Electronics

Largest Supplier of Electrical and Electronic Components

Click to view similar products for [Headers & Wire Housings](#) category:

Click to view products by [TE Connectivity](#) manufacturer:

Other Similar products are found below :

[95000-104TRLF](#) [10135584-644402LF](#) [DF62W-EP2022PCA](#) [95000-106TRLF](#) [DF62W-2022SCA](#) [DF62W-EP2022PC](#) [2203348](#) [DF62W-2022SC](#) [1084018](#) [1029039](#) [1084017](#) [802-10-012-10-002000](#) [1112640](#) [1112639](#) [891-007-9SS-BST1T](#) [000-34000](#) [0008550134](#) [0009482033](#) [0009507031](#) [57102-F02-18ULF](#) [57102-S06-03LF](#) [57202-S52-04LF](#) [PCN6-15S-2.5E](#) [0039019024](#) [58102-G61-06LF](#) [582553-1](#) [0009485154](#) [0009508121](#) [0022285053](#) [0050291907](#) [018731A](#) [LY20-4P-DT1-P1E-BR](#) [02.125.8002.8](#) [60101931](#) [60598-1 \(Cut Strip\)](#) [M1625-3R/100](#) [61062-3](#) [61082-181009](#) [CSU011177004](#) [636-1427](#) [638009-1](#) [641938-9](#) [641991-4](#) [644168-1](#) [644827-2](#) [647662-1](#) [65039-019ELF](#) [65692-001LF](#) [65781-018](#) [65781-047](#)