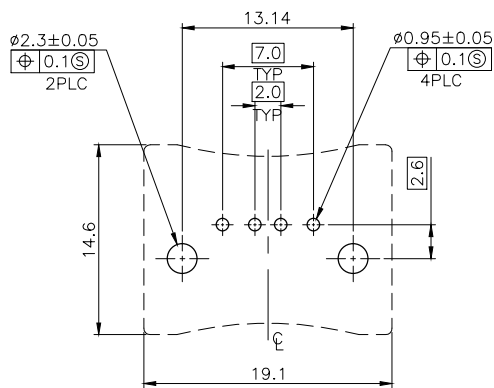
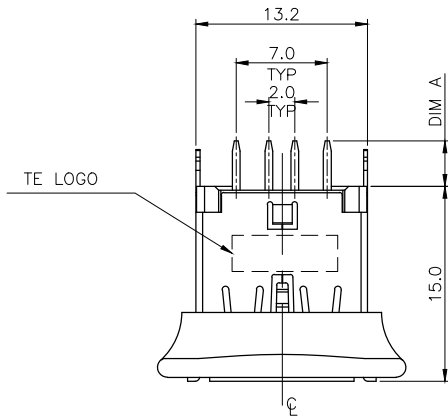


THIS DRAWING IS UNPUBLISHED. RELEASED FOR PUBLICATION
 © COPYRIGHT - BY TYCO ELECTRONICS CORPORATION. ALL RIGHTS RESERVED.

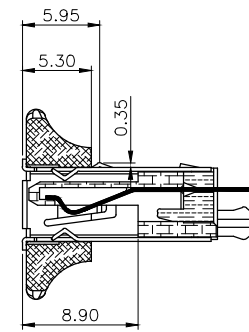
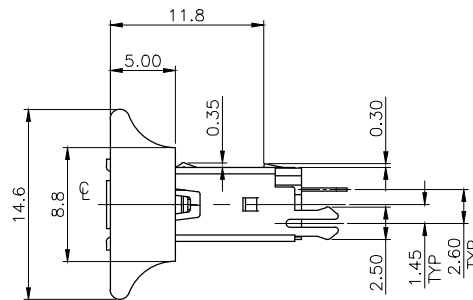
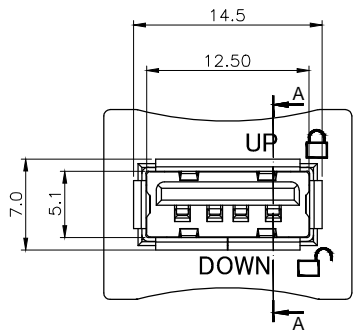
LOC	DIST	REVISIONS					
DW	-	P	LTR	DESCRIPTION	DATE	DWN	APVD
		A3		REVISED (ECR-14-005336)	21MAR14	SW	SC



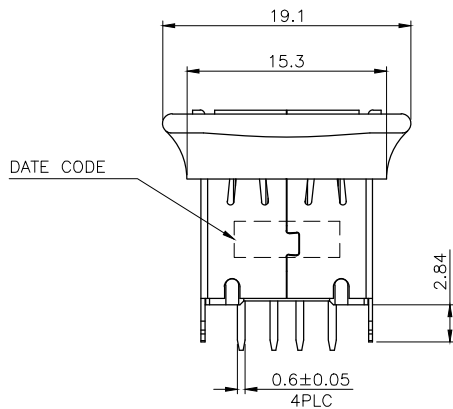
RECOMMENDED P.C.B LAYOUT
 TOLERANCE: ± 0.05
 (TOP VIEW)

NOTES:

- MATERIAL:
 HOUSING: PA9T WITH 30% GF, UL94V-0, COLOR: BLACK.
 LOCKING DEVICE: PA66 WITH 15% GF, UL94V-0,
 COLOR: BLUE (IBM COLOR WHEEL P/N: 49Y5681,
 PANTONE COLOR SIMILAR TO 2718U)
 CONTACTS: PHOSPHOR BRONZE, T=0.25mm.
 SHELL: BRASS, T=0.30mm.
- FINISH:
 CONTACTS: GOLD (SEE TABLE) PLATED ON CONTACT AREA,
 2.54um (100u") MIN. BRIGHT-TIN PLATING ON SOLDER TAILS,
 1.27um (50u") MIN. NICKEL UNDERPLATED ALL OVER.
 SHELL: 1.27um (50u") MIN. NICKEL PLATED.
- RECOMMENDED PCB THICKNESS: 1.6mm.
- WAVE SOLDER CAPABLE TO 265°C PER TE CONNECTIVITY TEST SPEC,
 109-202.CONDITION B.



SECTION A-A

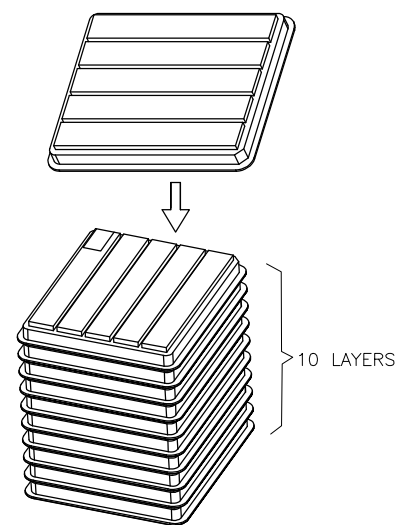
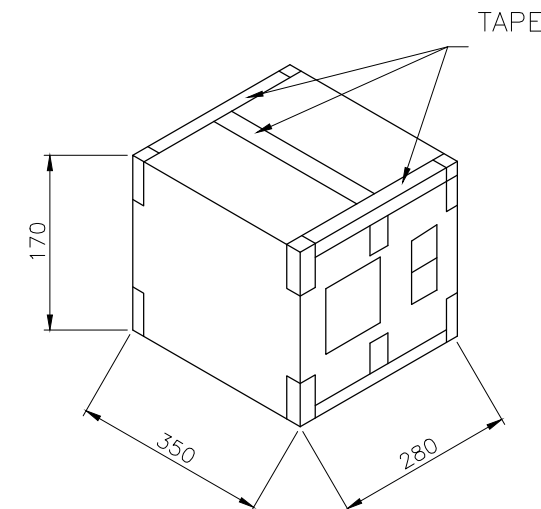
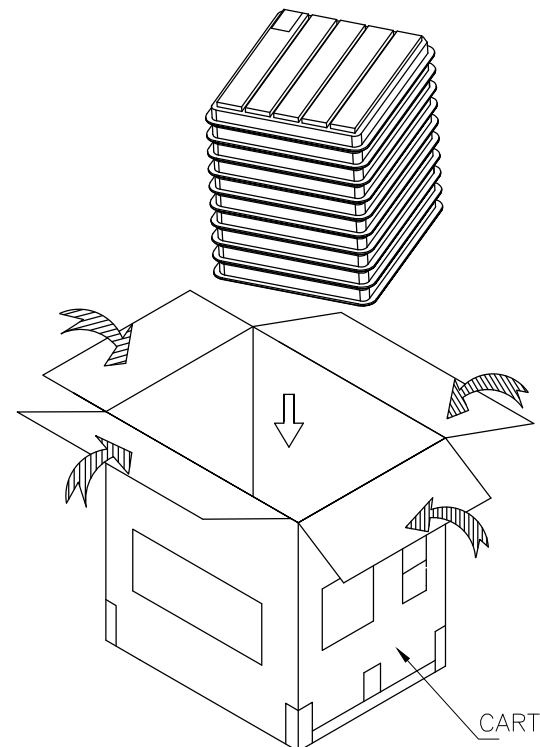
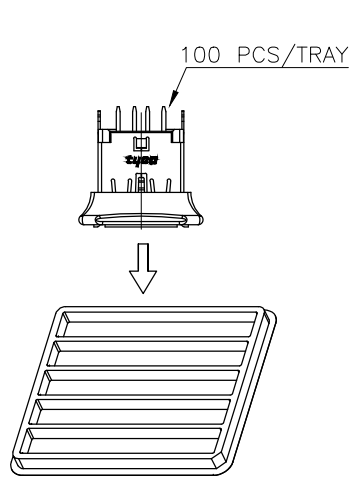


DATE CODE



EOL	2.84	0.762um (30u")	1-1775690-2
EOL	2.84	G/F	1-1775690-1
	3.50	0.762um (30u")	1775690-2
EOL	3.50	G/F	1775690-1
	DIM A	MIN. GOLD	PART NUMBER

THIS DRAWING IS A CONTROLLED DOCUMENT.		DWN	H. HUANG	19JUL2007	TE Connectivity NAME USB A TYPE, W/LOCKING VERTICAL, DIP						
DIMENSIONS: MM		CHK	S. HOU	19JUL2007				SIZE	CAGE CODE	DRAWING NO	RESTRICTED TO
TOLERANCES UNLESS OTHERWISE SPECIFIED:		APVD	W.J. KE	19JUL2007				A3	00779	C=1775690	-
0 PLC ± - 1 PLC ± 0.30 2 PLC ± 0.25 3 PLC ± - 4 PLC ± - ANGLES ± 3°		PRODUCT SPEC	108-57519					SCALE -		SHEET 1 of 2	REV A3
MATERIAL SEE NOTE		FINISH	SEE NOTE		WEIGHT	2.9 GRAMS					
		CUSTOMER DRAWING		SCALE -		SHEET 1 of 2		REV A3			

P	LTR	DESCRIPTION	DATE	DWN	APVD
		SEE SHEET 1.			



100	10	1000	3.9	2.9
PCS/ TRAY	TRAY/ CARTON	QUANTITY	G/W (KG)	N/W (KG)

THIS DRAWING IS A CONTROLLED DOCUMENT.		DWN H. HUANG 19JUL2007	 TE Connectivity		
DIMENSIONS: MM		CHK S. HOU 19JUL2007			NAME
		APVD W.J. KE 19JUL2007			
TOLERANCES UNLESS OTHERWISE SPECIFIED:		PRODUCT SPEC			USB A TYPE, W/LOCKING VERTICAL, DIP
0 PLC ± - 1 PLC ± - 2 PLC ± - 3 PLC ± - 4 PLC ± - ANGLES ± -		APPLICATION SPEC	RESTRICTED TO		
MATERIAL		WEIGHT	SIZE A3	CAGE CODE 00779	
FINISH		CUSTOMER DRAWING	DRAWING NO C=1775690	SCALE	
				SHEET 2 of 2	
				REV A3	

X-ON Electronics

Largest Supplier of Electrical and Electronic Components

Click to view similar products for [USB Connectors](#) category:

Click to view products by [TE Connectivity](#) manufacturer:

Other Similar products are found below :

[65-647-8-BK-BU](#) [950](#) [952](#) [E8144-B01021-L](#) [A-USB B-TOP-C](#) [MUSBA511N5](#) [MUSBD11135](#) [217450-1](#) [KMBVX-TH-5S-B30](#) [896-30-004-00-000000](#) [KUSBVX-BS1N-W30](#) [KUSBX-AP-KIT-SCBLK](#) [KUSBX-AS2N-W](#) [KUSBX-SMT2AP1S-W](#) [KUSBX-SMT2AP1S-W30](#) [935](#) [957](#) [30-498-6](#) [SK-60A-2](#) [17-210051](#) [1734082-1](#) [30-1574](#) [30-470](#) [30-489](#) [30-541](#) [30-572-3](#) [A-USB A-2P-C](#) [MIKROE-1451](#) [USBFTV2PEM2G](#) [USBFTVC6ZN](#) [KUSBX-AS2N-W30](#) [KUSBX-SLAS1N-W](#) [KUSBX-SMT-AS1N-W30](#) [4689-1](#) [1-1734084-2](#) [E8110-001-01](#) [33UBARS1-04SW11](#) [33UBAR-04SW11](#) [USBF21ZNSCC](#) [USBBFTV6ZC](#) [10135326-001LF](#) [USB-A-S-F-B-VT](#) [925](#) [4198](#) [690-024-633-031](#) [KUSBEX-BSFS1N-W](#) [USBFTVC6MRG](#) [UA-20BMFA-SL8001](#) [17-250101](#) [USBFTVC7ZC](#)