

THIS DRAWING IS UNPUBLISHED.

RELEASED FOR PUBLICATION

AUG, 2006.

© COPYRIGHT BY TYCO ELECTRONICS CORPORATION.

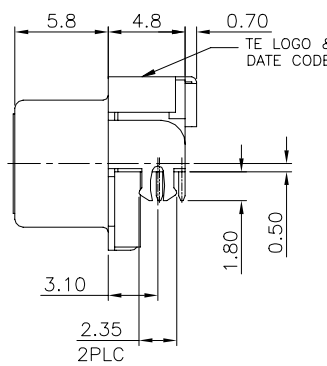
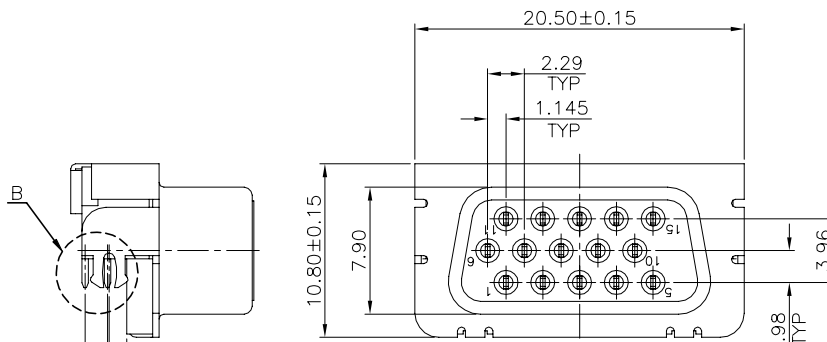
ALL RIGHTS RESERVED.

LOC DW

DIST -

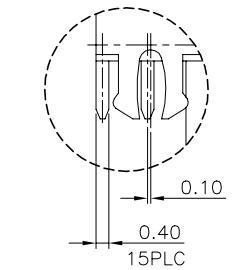
REVISIONS

P	LTR	DESCRIPTION	DATE	DWN	APVD
	D4	ECO-20-004684	01APR2020	RR	SH

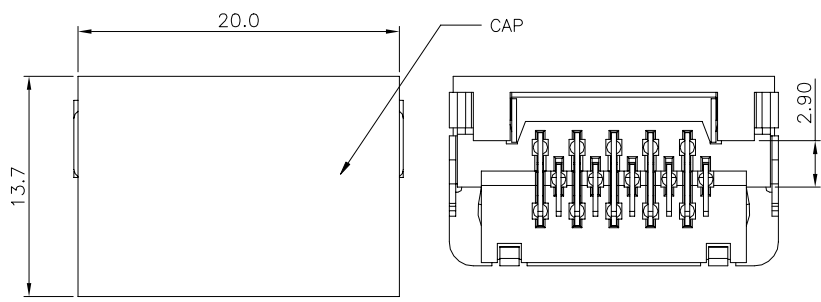
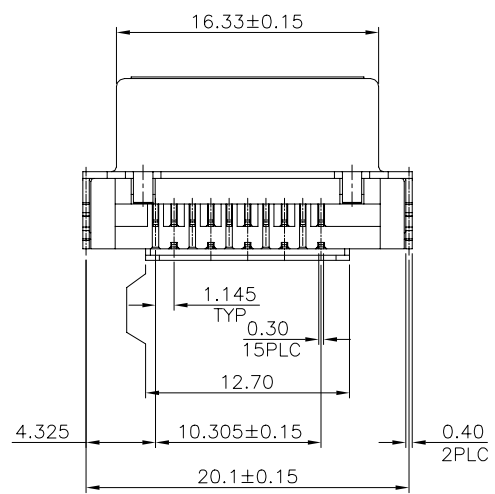


NOTES:

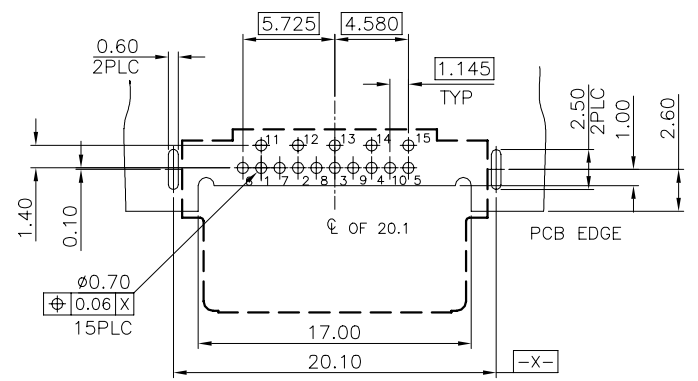
- MATERIAL:
HOUSING: PA9T, UL 94V-0, COLOR: BLACK.
CAP: PA6T, UL 94V-0, COLOR: BLACK.
CONTACTS: BRASS.
FRONTSHELL: SPCC.
REARSHELL: SPCC.
 - FINISH:
CONTACTS: GOLD FLASH PLATED ON CONTACT AREA, 2.54um[100u"] MIN. MATTE-TIN PLATED ON SOLDER TAIL, 1.27um[50u"] MIN. NICKEL UNDERPLATED OVER ALL.
FRONTSHELL: 2.54um[100u"] MIN. NICKEL OR BLACK NICKEL PLATED.
REARSHELL: 2.54um[100u"] MIN. NICKEL OR BLACK NICKEL PLATED.
 - RECOMMENDED PCB THICKNESS: 1.2mm.
 - REFLOW SOLDER CAPABLE TO 260°C PER TE SPEC 109-201, CONDITION B.
- ⚠ NO BOARD LOCK FUNCTION.



DETAIL B SCALE 2:1



CONNECTOR WITH CAP (REFERENCE)



RECOMMEND P.C.B LAYOUT(T=1.20mm) TOP VIEW(TOLERANCE:±0.05)

EOL	BLACK NICKEL	1775763-2
EOL	NICKEL	1775763-1
	FRONT & REAR SHELL PLATED	PART NUMBER

THIS DRAWING IS A CONTROLLED DOCUMENT.		DWN B. HSING 16APR2009	Tyco Electronics Corporation Taipi, Taiwan	
DIMENSIONS: MM		CHK S. CHIEN 16APR2009	NAME	
TOLERANCES UNLESS OTHERWISE SPECIFIED:		APVD W. KODAMA 16APR2009	D-SUB, 15P, R/A, SLIM, RVS, DIP	
0 PLC ± -		PRODUCT SPEC	SIZE CAGE CODE DRAWING NO RESTRICTED TO	
1 PLC ± 0.30		108-57584	A3 00779 C=1775763	
2 PLC ± 0.25		QUALIFICATION TEST REPORT	SCALE SHEET 1 OF 3 REV D4	
3 PLC ± 0.15		501-57794		
4 PLC ± -		WEIGHT 4.0 GRAMS		
ANGLES ± 3'		CUSTOMER DRAWING		
MATERIAL SEE NOTE	FINISH SEE NOTE			

4

3

2

1

THIS DRAWING IS UNPUBLISHED.

RELEASED FOR PUBLICATION

AUG ,2006.

© COPYRIGHT - BY TYCO ELECTRONICS CORPORATION.

ALL RIGHTS RESERVED.

LOC

DIST

REVISIONS

P	LTR	DESCRIPTION	DATE	DWN	APVD
		SEE SHEET 1.			

D

D

C

C

B

B

A

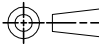
A

OBSOLETE

EOL 2-1775763-1

EOL 1-1775763-1

PART NUMBER

THIS DRAWING IS A CONTROLLED DOCUMENT.		DWN		Tyco Electronics Corporation Taipei, Taiwan	
DIMENSIONS: MM		TOLERANCES UNLESS OTHERWISE SPECIFIED:		NAME	
		0 PLC ± -		D-SUB, 15P, R/A, SLIM, RVS, DIP	
		1 PLC ± 0.30		SIZE CAGE CODE DRAWING NO RESTRICTED TO	
		2 PLC ± 0.20		A3 00779 C=1775763	
		3 PLC ± 0.20		SCALE SHEET 2 OF 3 REV D4	
4 PLC ± -		4 ANGLES ± 3'		CUSTOMER DRAWING	
MATERIAL		FINISH		WEIGHT 3.8 GRAMS	

4

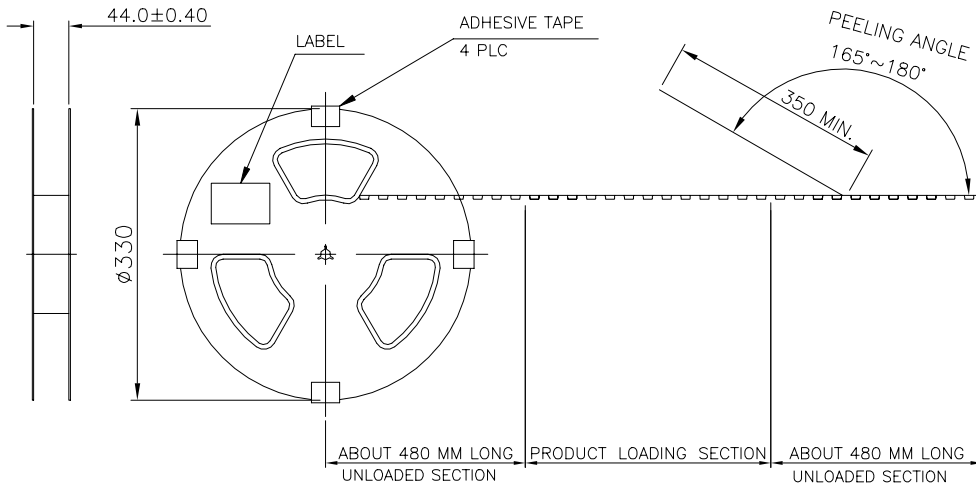
3

2

1

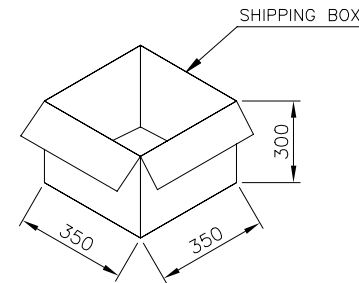
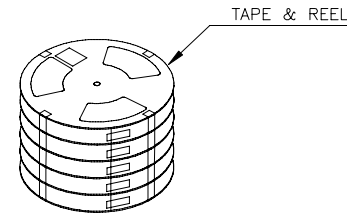
THIS DRAWING IS UNPUBLISHED. RELEASED FOR PUBLICATION AUG, 2006.
 © COPYRIGHT BY TYCO ELECTRONICS CORPORATION. ALL RIGHTS RESERVED.

LOC	DIST	REVISIONS			
P	LTR	DESCRIPTION	DATE	DWN	APVD
DW		SEE SHEET 1.			

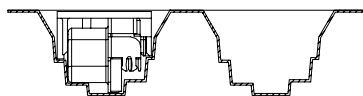
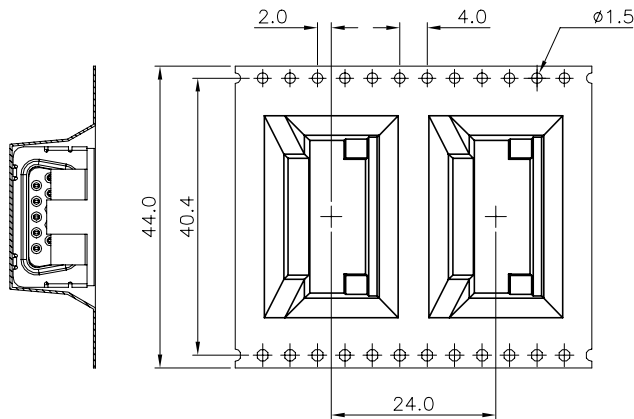


NOTES:

1. DIMENSION:
REEL: $\phi = 330$.
SHIPPING BOX: L=350, W=350, H=300.
2. QUANTITY: SEE TABLE.
3. SHIPPING BOX WEIGHT: SEE TABLE.



PULL OUT DIRECTION



200	6	1200	7.5	4.2
PCS/REEL	REELS/SHIPPING BOX	QUANTITY (PCS)	G/W (Kg)	N/W (Kg)

THIS DRAWING IS A CONTROLLED DOCUMENT.

DIMENSIONS: MM	TOLERANCES UNLESS OTHERWISE SPECIFIED:	0 PLC ± -	1 PLC ± -	2 PLC ± -	3 PLC ± -	4 PLC ± -	ANGLES ± -	FINISH	DWN	CHK	APVD	PRODUCT SPEC	APPLICATION SPEC	WEIGHT	CUSTOMER DRAWING
									<p>Tyco Electronics Tyco Electronics Corporation Taipei, Taiwan</p> <p>NAME: D-SUB, 15P, R/A, SLIM, RVS, DIP</p> <p>SIZE: A3 CAGE CODE: 00779 C=1775763 DRAWING NO: RESTRICTED TO</p>						
SCALE: SHEET 3 OF 3 REV D4															

X-ON Electronics

Largest Supplier of Electrical and Electronic Components

Click to view similar products for [D-Sub Standard Connectors](#) category:

Click to view products by [TE Connectivity](#) manufacturer:

Other Similar products are found below :

[56F711-015](#) [012-9507-004](#) [LV242999-142T12](#) [015-0341-000](#) [015-0372-005](#) [015-0372-008](#) [015-8755-001](#) [020419-0104](#) [012-0467-000](#) [012-0515-000](#) [012-9507-034](#) [012-9507-114](#) [020745-0008](#) [609-25P](#) [M24308/2-23Z](#) [CT2-14S-2PCA34](#) [CT2-18-11PCAU](#) [CT6-10SL-3SC](#) [CT6-10SL-4SC](#) [CT6-14S-2SC](#) [CT6E14SA7SC](#) [M83513/01-FC](#) [M83723/76W24619 L/C](#) [M85049/48-3-2F](#) [6STD09PCM99B70X](#) [6STD09SCM99B30X](#) [6STD09SCT99S40X](#) [6STD15PCT99S40X](#) [6STD15SCM99B30X](#) [6STD15SCT99S40X](#) [6STF09PCM05B70X](#) [7-135760-9](#) [MC11E-10-6SN](#) [747552-3](#) [MD1-21PS](#) [MDM-15SCBRM7-F222](#) [MDM96517-699](#) [MDM96521-744](#) [MDVB1-21SL1](#) [MIK0-1-7SH003](#) [MIKQ6-7SH076](#) [MIKQ7-7PH077](#) [MIKQ7-7PH11](#) [MIKQ7-7PH32](#) [MJSV-28SL61](#) [MKJ4A1F14-55S](#) [8-135760-3](#) [8STD09PCM99B30X](#) [PG-KV/PV-16-GROM-SEALING](#) [GDA15P](#)