

4

3

2

1

THIS DRAWING IS UNPUBLISHED. RELEASED FOR PUBLICATION  
 © COPYRIGHT 2012 BY TE CONNECTIVITY. ALL RIGHTS RESERVED.

REVISIONS					
P	LTR	DESCRIPTION	DATE	DWN	APVD
G		REVISED PER ECR-16-006365	01JUN16	DZ	SL

NOTES:

- MATERIAL:  
 HOUSING: LCP WITH 30% GF, UL 94V-0, BLACK COLOR.  
 CONTACTS: PHOSPHOR BRONZE.  
 PEGS: BRASS.
- FINISH:  
 CONTACTS: (SEE TABLE) GOLD PLATED ON CONTACT AREA, GOLD FLASH ON SOLDER AREA, WITH ENTIRE CONTACT UNDERPLATED  $1.27\mu\text{m}$  [ $50\mu''$ ] MIN. NICKEL.  
 PEGS:  $3.048\mu\text{m}$  [ $120\mu''$ ] MIN. MATTE-TIN OVER  $1.27\mu\text{m}$  [ $50\mu''$ ] MIN. NICKEL.
- REFLOW SOLDER CAPABLE TO  $260^\circ$  PER TEC-109-201, CONDITION B.
- SUBSTANCE RESTRICTIONS FOR LOW HALOGEN (BY WEIGHT):
  - BROMINE (Br)  $\leq 900$  PPM (0.09%)
  - CHLORINE (Cl)  $\leq 900$  PPM (0.09%)
  - TOTAL CONCENTRATION OF CHLORINE (Cl) + BROMINE (Br)  $\leq 1500$  PPM (0.15%)

OBSOLETE	TYPE II	<del>0.254<math>\mu\text{m}</math></del>	<del>1-1775861-3</del>
		<del>[10<math>\mu''</math>]</del>	<del>1-1775861-2</del>
OBSOLETE	TYPE I	<del>0.0762<math>\mu\text{m}</math></del>	<del>1775861-4</del>
		<del>[5<math>\mu''</math>]</del>	<del>1775861-2</del>
OBSOLETE		<del>0.254<math>\mu\text{m}</math></del>	<del>1775861-1</del>
		<del>[10<math>\mu''</math>]</del>	
	PACKING TYPE	MIN. GOLD THICKNESS	PART NUMBER

THIS DRAWING IS A CONTROLLED DOCUMENT.		DWN	A. WU	25SEP2009		TE Connectivity		
DIMENSIONS: mm		CHK	S. CHIEN	25SEP2009		NAME		
TOLERANCES UNLESS OTHERWISE SPECIFIED:		APVD	W. KODAMA	25SEP2009		PRODUCT SPEC		
0 PLC ± -		APPLICATION SPEC		108-99102				
1 PLC ± 0.3		MATERIAL		WEIGHT		1.172 GRAMS		
2 PLC ± 0.2		FINISH		SCALE		A2		
3 PLC ± -				CAGE CODE		00779		
4 PLC ± -				DRAWING NO		C=1775861		
ANGLES ± 3°				RESTRICTED TO		-		
CUSTOMER DRAWING				SHEET		1 of 4		
				REV		G		

1471-9 (1/15)

C-1775861

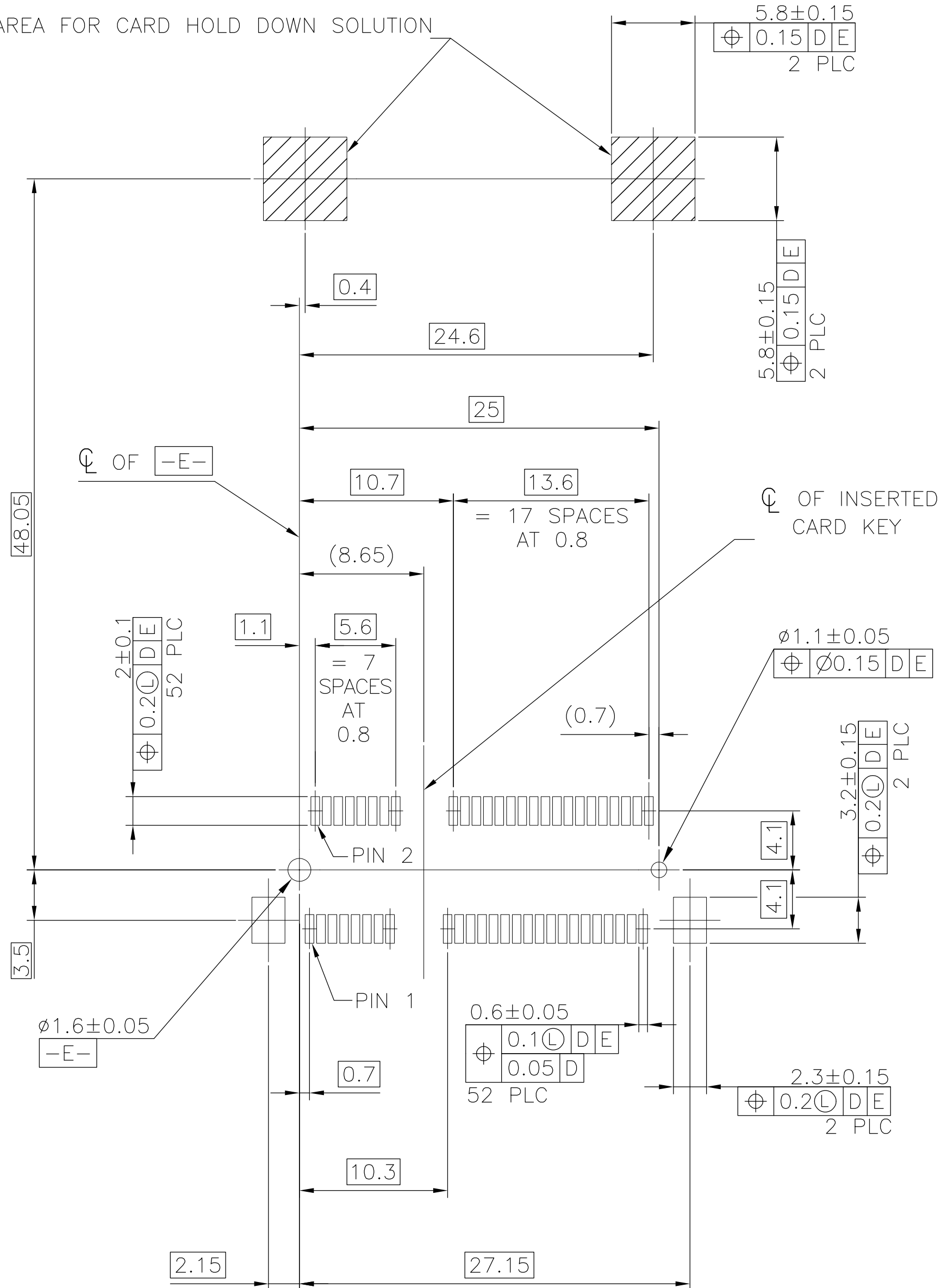
A

THIS DRAWING IS UNPUBLISHED.  
 © COPYRIGHT 2012 BY TE CONNECTIVITY.

RELEASED FOR PUBLICATION  
 ALL RIGHTS RESERVED.

REVISIONS				
P	LTR	DESCRIPTION	DATE	APVD
-	-	SEE SHEET 1	-	-

COMPONENT KEEP OUT AREA FOR CARD HOLD DOWN SOLUTION



**-D-** IS THE TOP SURFACE OF PCB.

RECOMMENDED P.C. BOARD PATTERN LAYOUT  
 (TOP VIEW)

CONNECTOR PIN-OUT DEFINITIONS

PIN#	NAME	PIN#	NAME
51	RESERVED	52	+3.3Vaux
49	RESERVED	50	GND
47	RESERVED	48	+1.5V
45	RESERVED	46	LED_WPAN#
43	GND	44	LED_WLAN#
41	+3.3Vaux	42	LED_WWAN#
39	+3.3Vaux	40	GND
37	GND	38	USB_D+
35	GND	36	USB_D-
33	PETp0	34	GND
31	PETn0	32	SMB_DATA
29	GND	30	SMB_CLK
27	GND	28	+1.5V
25	PERp0	26	GND
23	PERn0	24	+3.3Vaux
21	GND	22	PERST#
19	RESERVED* (UIM_C4)	20	W_DISABLE#
17	RESERVED* (UIM_C8)	18	GND
MECHANICAL KEY			
15	GND	16	UIM_VPP
13	REFCLK+	14	UIM_RESET
11	REFCLK-	12	UIM_CLK
9	GND	10	UIM_DATA
7	CLKREQ#	8	UIM_PWR
5	COEX2	6	1.5V
3	COEX1	4	GND
1	WAKE#	2	3.3Vaux

\* RESERVED FOR FUTURE UIM INTERFACE (IF NEEDED)

THIS DRAWING IS A CONTROLLED DOCUMENT.	DWN --	01JUN2016	<b>STE</b> TE Connectivity	
DIMENSIONS: mm	CHK --	APVD --		
TOLERANCES UNLESS OTHERWISE SPECIFIED: 0 PLC ± - 1 PLC ± - 2 PLC ± - 3 PLC ± - 4 PLC ± - ANGLES ± -	PRODUCT SPEC --	APPLICATION SPEC --	2 IN 1 mSATA & PCI EXPRESS MINI CARD CONNECTOR, 4 MM HEIGHT	
MATERIAL -	FINISH -	WEIGHT --	SIZE A2	CAGE CODE 00779
CUSTOMER DRAWING			DRAWING NO C-1775861	RESTRICTED TO --
		SCALE -	SHEET 2 of 4	REV G

REVISIONS					
P	LTR	DESCRIPTION	DATE	DWN	APVD
-	-	SEE SHEET 1	-	-	-

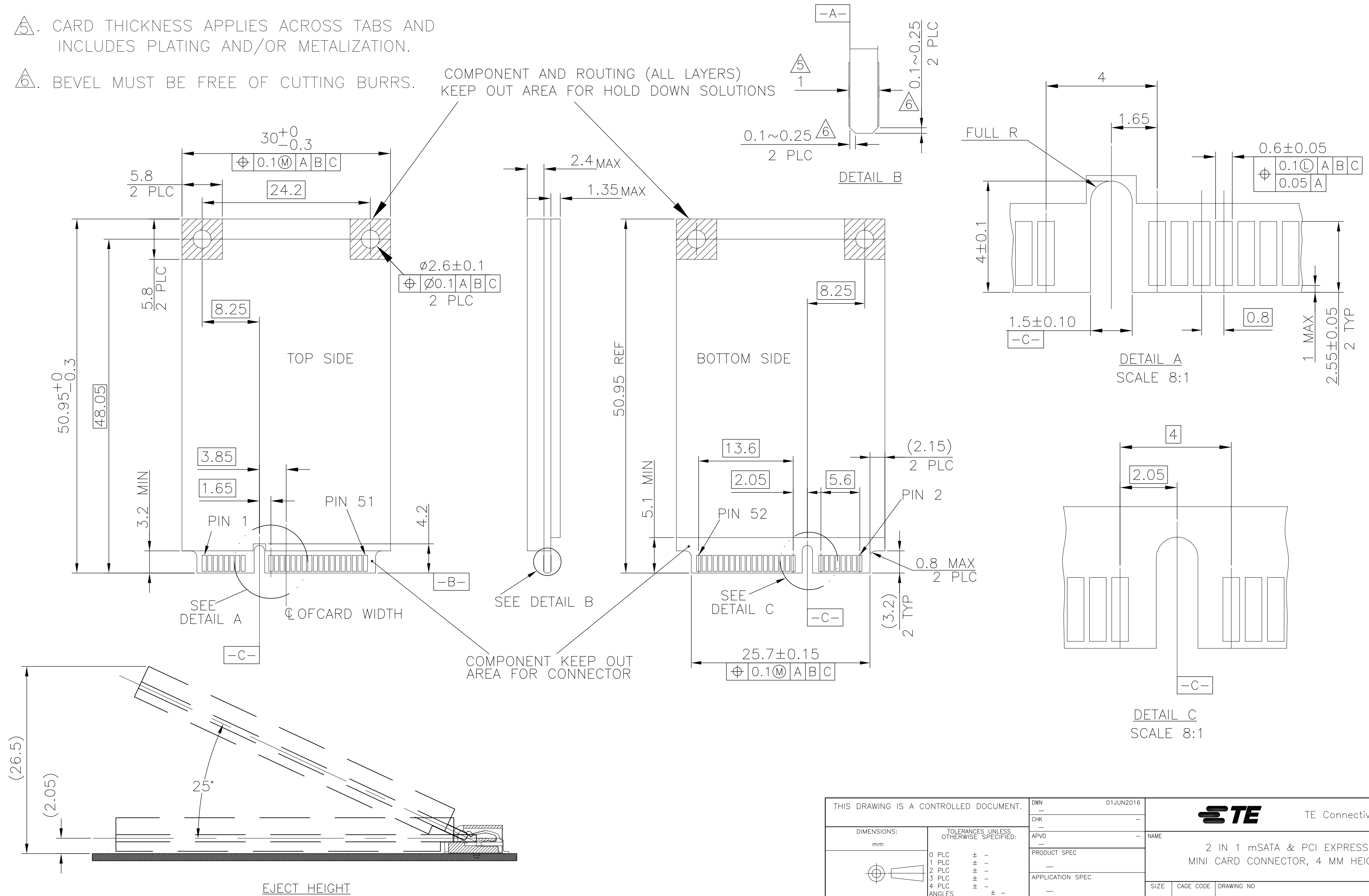
4. PCI EXPRESS MINI CARD, PCB THICKNESS 1 MM.

5. CARD THICKNESS APPLIES ACROSS TABS AND INCLUDES PLATING AND/OR METALIZATION.

6. BEVEL MUST BE FREE OF CUTTING BURRS.

COMPONENT AND ROUTING (ALL LAYERS) KEEP OUT AREA FOR HOLD DOWN SOLUTIONS

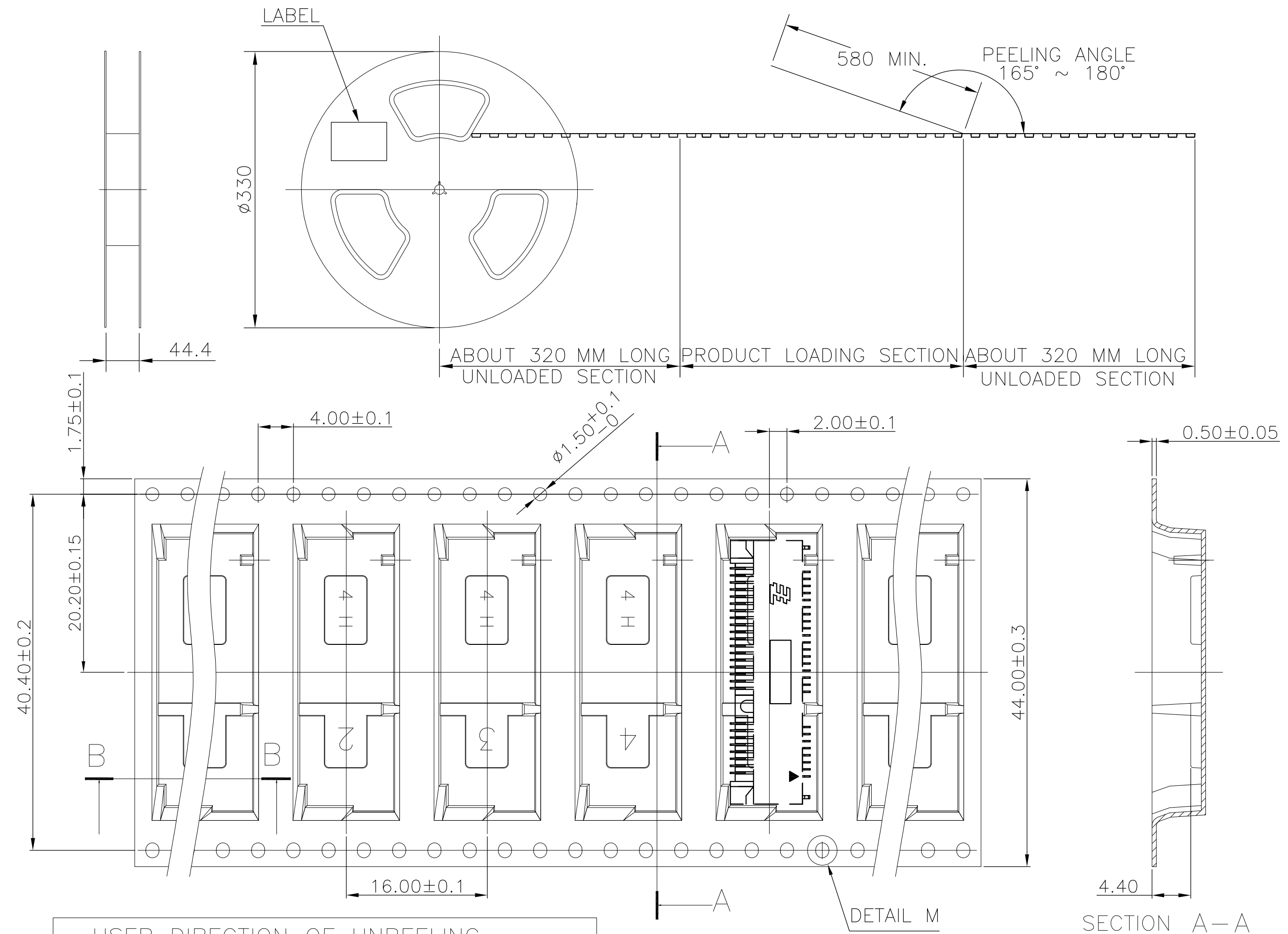
COMPONENT KEEP OUT AREA FOR CONNECTOR



THIS DRAWING IS A CONTROLLED DOCUMENT.		DWN	01JUN2016	<b>TE</b> TE Connectivity	
DIMENSIONS: mm		CHK	-		
TOLERANCES UNLESS OTHERWISE SPECIFIED:		APVD	-	NAME	
0 PLC	± -	PRODUCT SPEC	-	2 IN 1 mSATA & PCI EXPRESS MINI CARD CONNECTOR, 4 MM HEIGHT	
1 PLC	± -	APPLICATION SPEC	-	SIZE	CAGE CODE
2 PLC	± -	WEIGHT	-	A2	00779
3 PLC	± -	CUSTOMER DRAWING	-	DRAWING NO	C=1775861
4 PLC	± -	SCALE	-	RESTRICTED TO	-
ANGLES	± -	SHEET	3 of 4	REV	G
FINISH	-	REV	-		

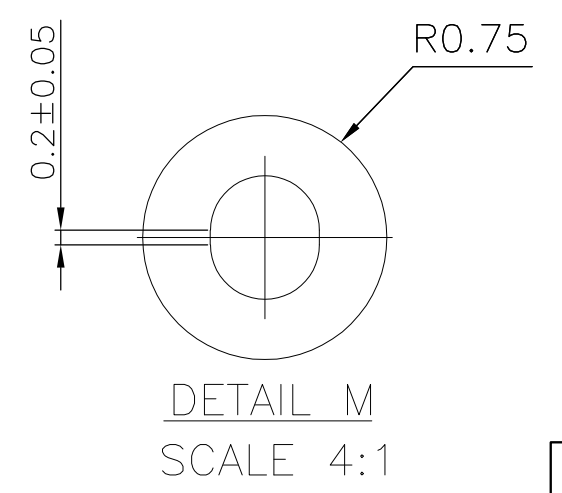
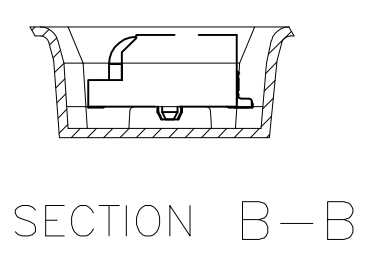
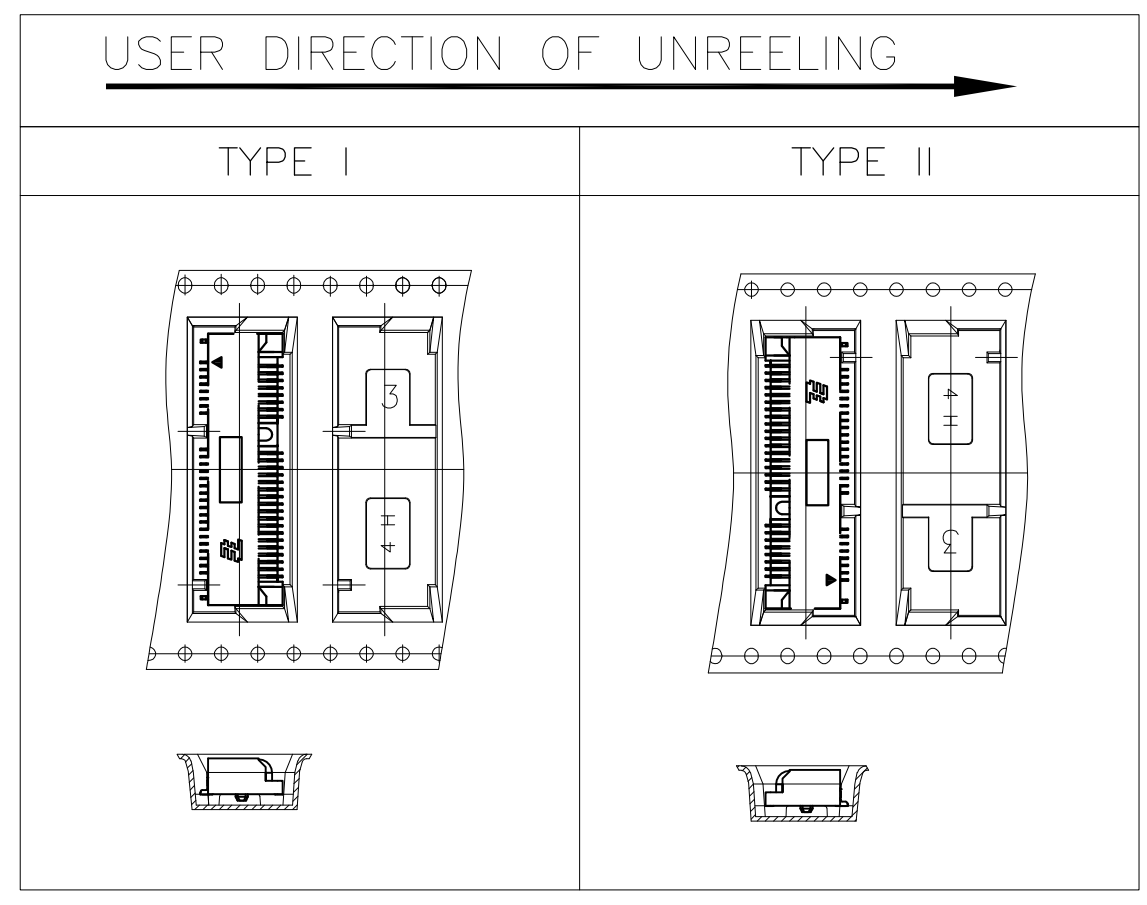
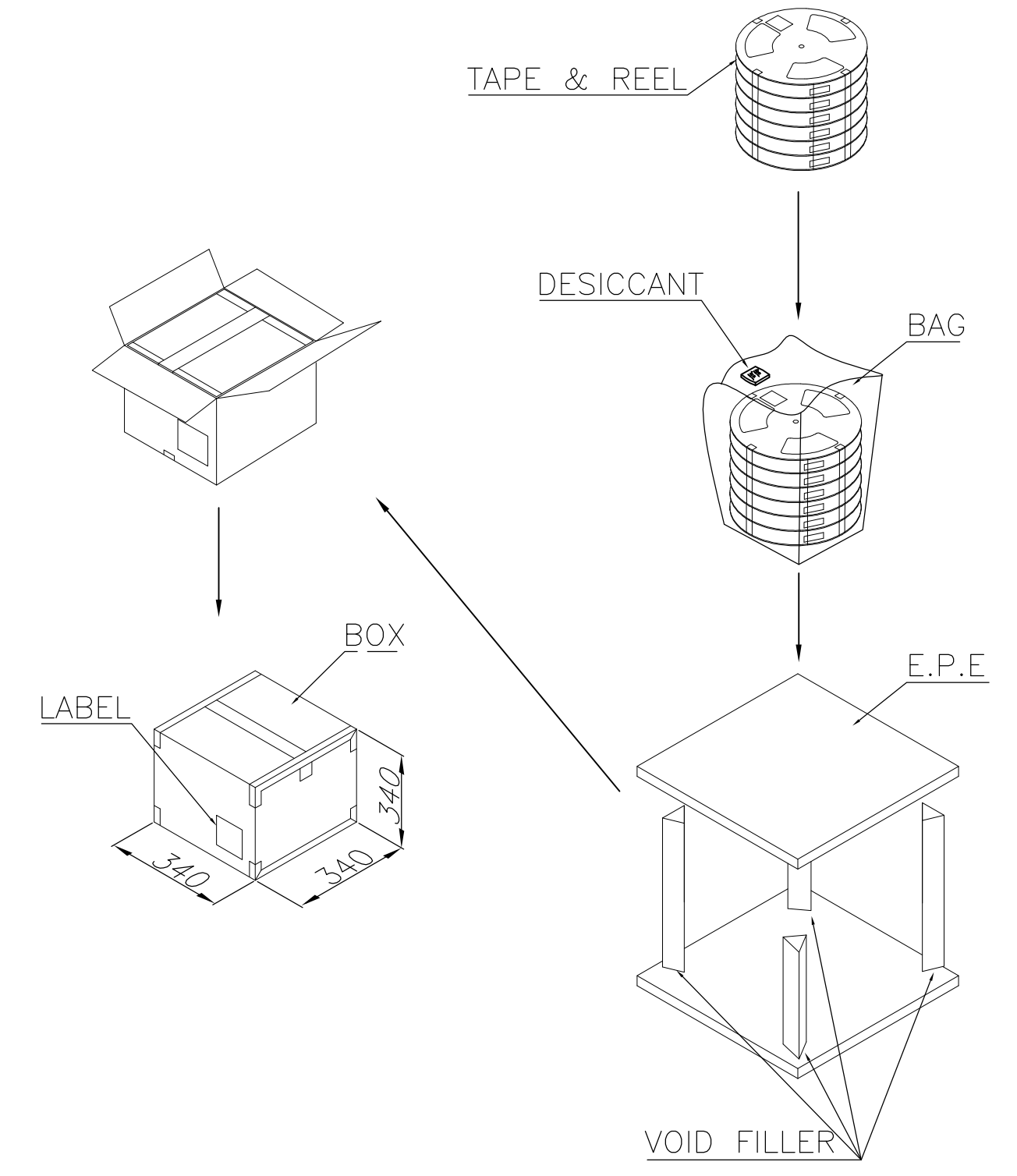
THIS DRAWING IS UNPUBLISHED. RELEASED FOR PUBLICATION  
 © COPYRIGHT 2012 BY TE CONNECTIVITY. ALL RIGHTS RESERVED.

REVISIONS				
P	LTR	DESCRIPTION	DATE	APVD
-	-	SEE SHEET 1	-	-



NOTES:

1. MATERIAL:  
 BOX: FIBREBOARD, CORRUGATED, DOUBLE WALL.  
 COVER TAPE: POLYSTYRENES, TRANSPARENT COLOR.  
 CARRIER TAPE: POLYSTYRENES, TRANSPARENT COLOR.  
 REEL: HIPS, BLUE COLOR.  
 BAG: POLYETHYLENES, TRANSPARENT COLOR.
2. EACH BAG SHALL BE INCLUDED DESICCANT.
3. PEELING STRENGTH: 0.1 ~ 1.3 N (10 ~ 130 GRAMS).
4. PEELING SPEED: 300 mm/min.



THIS DRAWING IS A CONTROLLED DOCUMENT.		DWN	01JUN2016		
DIMENSIONS: mm		CHK	-	NAME	
TOLERANCES UNLESS OTHERWISE SPECIFIED:		APVD	-	TE Connectivity	
0 PLC	± -	PRODUCT SPEC	-	2 IN 1 mSATA & PCI EXPRESS MINI CARD CONNECTOR, 4 MM HEIGHT	
1 PLC	± -	APPLICATION SPEC	-	SIZE	CAGE CODE
2 PLC	± -		-	A2	00779
3 PLC	± -		-	DRAWING NO	C=1775861
4 PLC	± -		-	RESTRICTED TO	-
ANGLES	± -	WEIGHT	-	SCALE	SHEET
FINISH	-	CUSTOMER DRAWING	-	-	4 OF 4
				REV	G

## X-ON Electronics

Largest Supplier of Electrical and Electronic Components

*Click to view similar products for [PCI Express/PCI Connectors](#) category:*

*Click to view products by [TE Connectivity](#) manufacturer:*

Other Similar products are found below :

[UEX220-6U](#) [10039755-10110TLF](#) [1-1871239-2](#) [2170560-2](#) [10125756-980000LF](#) [EB220-3U](#) [WD2M144WB2R300](#) [10061913-120PLF](#)  
[GPCP146400111HR](#) [205058-1001](#) [GPCP442628110HR](#) [GPCP446200120HR](#) [GPCP245400111HR](#) [10082378-10000TLF](#) [87715-9256](#)  
[MDT580M03001](#) [0877159107](#) [MDT580M01001](#) [10018783-11000MLF](#) [10018783-11101TLF](#) [10108777-10000ALF](#) [10141523-111TOLF](#)  
[10145445-10003MLF](#) [PSASF2130311TR](#) [PSASF3130411TR](#) [PSASF3130131TR](#) [7-1734774-7](#) [3-1761465-1](#) [10018784-10111TLF](#)  
[10039755-10111TLF](#) [10039755-10112TLF](#) [10018783-10211TLF](#) [10018784-10211TLF](#) [10018784-10212TLF](#) [1761465-2](#) [1871058-1](#) [5-](#)  
[1761465-4](#) [10018783-10200MLF](#) [10018783-10213TLF](#) [10018784-10210TLF](#) [10018784-11113TLF](#) [10025026-10001TLF](#) [5145154-8](#)  
[1871058-4](#) [2041119-2](#) [10018783-10212TLF](#) [10018784-10102TLF](#) [10018783-11200TLF](#) [SM3ZS067U215-NUT1-R2500](#) [10123371-001TRLF](#)