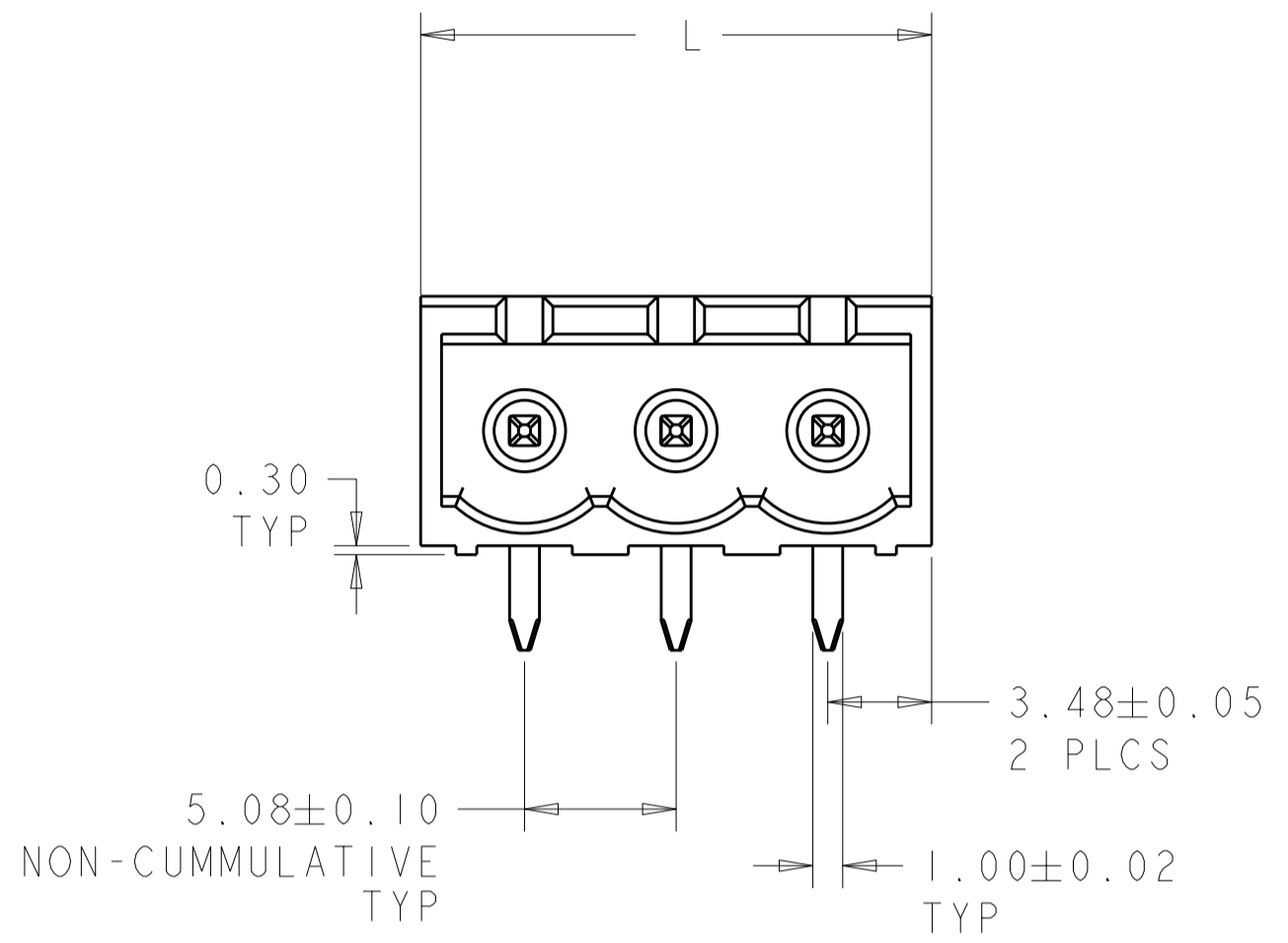
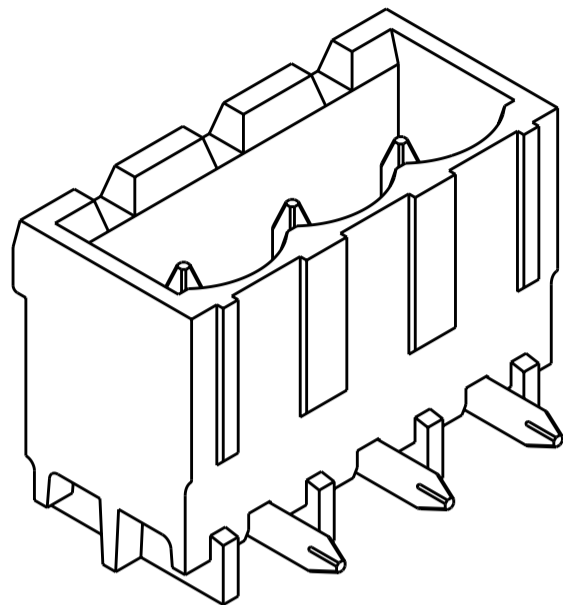
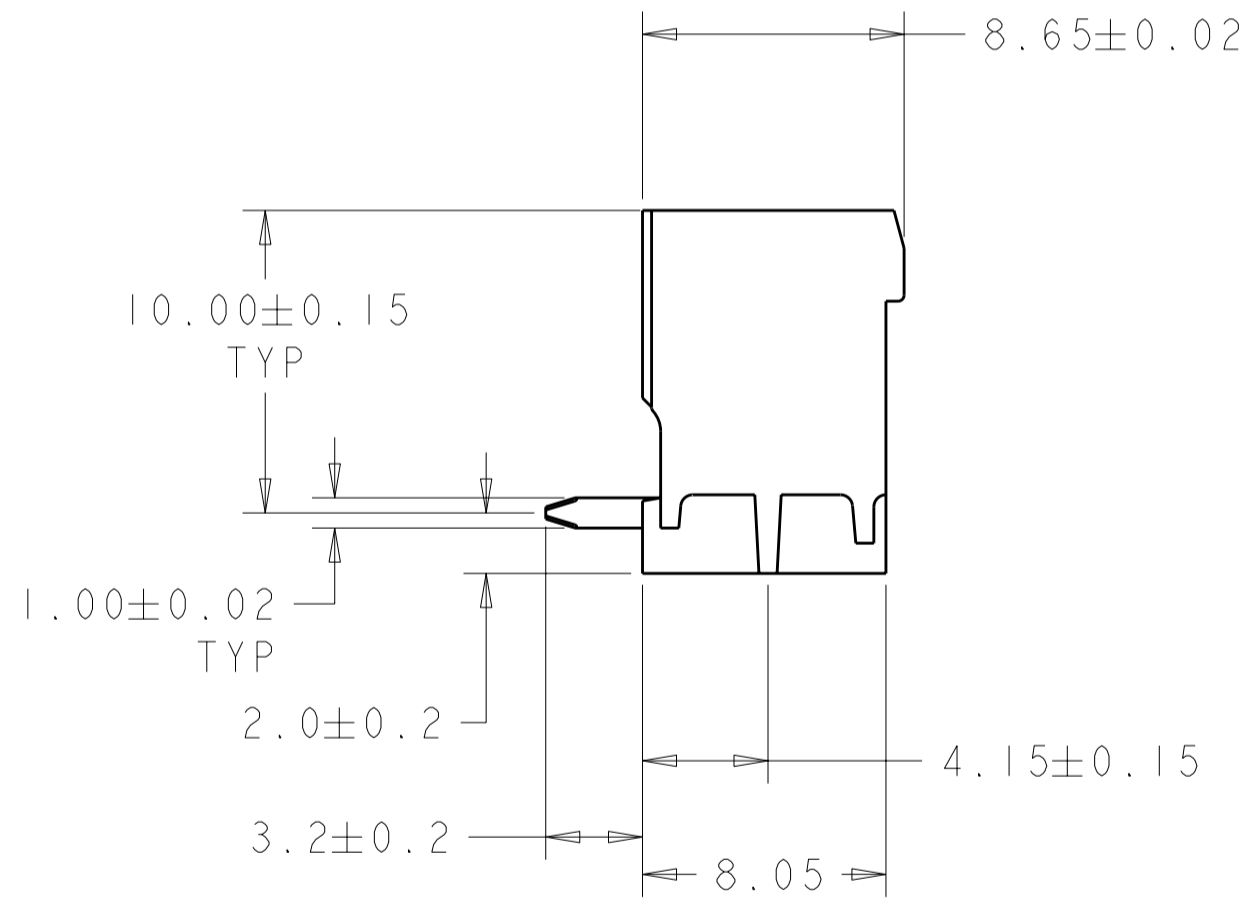
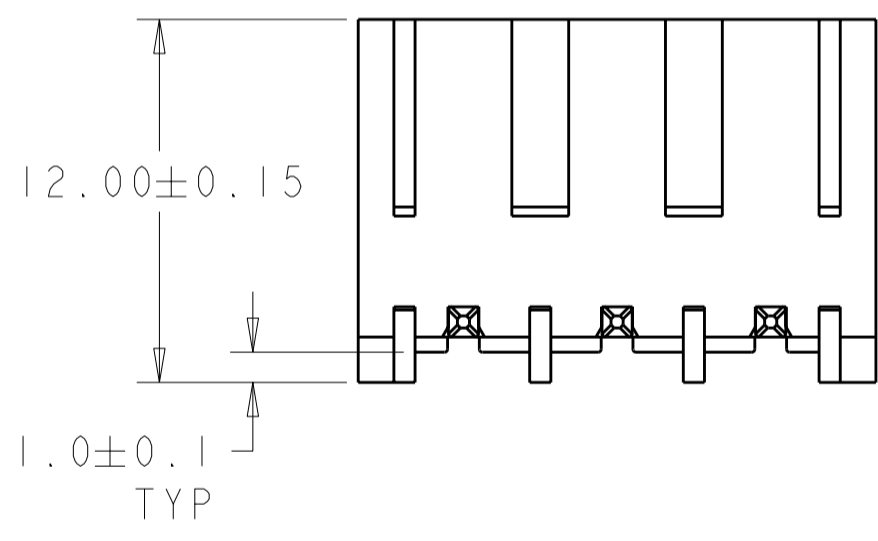


THIS DRAWING IS UNPUBLISHED. RELEASED FOR PUBLICATION 20
 © COPYRIGHT 20 BY - ALL RIGHTS RESERVED.

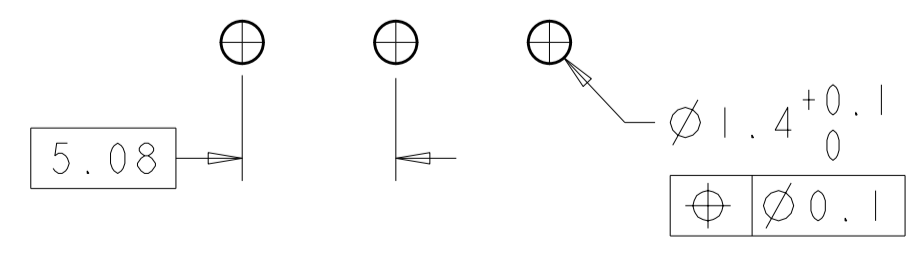
LOC		DIST		REVISIONS			
P	LTR	DESCRIPTION	DATE	DWN	APVD		
	A7	REVISED PER ECO-12-007711	26APR2012	KH	MS		



- 1. MATERIALS AND FINISH:
 HOUSING: NYLON OR POLYESTER, HIGH TEMPERATURE, UL 94-V0, COLOR: BLACK.
 TERMINAL: COPPER ALOOY, FINISH: SEE TABLE.
- 2. SUITABLE FOR 1,6-2, 4mm PC BOARD THICKNESS.
- 3. RECOGNIZED UNDER THE COMPONENT PROGRAM OF UNDERWRITERS LABORATORIES INC. FILE N° E60677.
- 4. IMQ CERTIFICATE WITH SURVEILLANCE IN CONFORMITY WITH IEC 998-1/998-2-1.
- 5. PARTS PLACED ON 44mm WIDE TAPE X 20mm PITCH AND PACKAGED ON REEL.



0.8µm GOLD	-	22.20±0.10	4	1-1776038-6
TIN PLATED	5	27.28±0.10	5	1-1776038-5
TIN PLATED	5	22.20±0.10	4	1-1776038-4
TIN PLATED	-	62.84±0.20	12	1-1776038-2
TIN PLATED	-	57.76±0.20	11	1-1776038-1
TIN PLATED	-	52.68±0.20	10	1-1776038-0
TIN PLATED	-	47.60±0.15	9	1776038-9
TIN PLATED	-	42.52±0.15	8	1776038-8
TIN PLATED	-	37.44±0.15	7	1776038-7
TIN PLATED	-	32.36±0.15	6	1776038-6
TIN PLATED	-	27.28±0.10	5	1776038-5
TIN PLATED	-	22.20±0.10	4	1776038-4
TIN PLATED	-	17.12±0.10	3	1776038-3
TIN PLATED	-	12.04±0.10	2	1776038-2
CONTACT FINISH	PACKAGING	DIM L	NO OF POSN	PART NUMBER



RECOMMENDED PC BOARD LAYOUT

THIS DRAWING IS A CONTROLLED DOCUMENT.

DIMENSIONS: mm	TOLERANCES UNLESS OTHERWISE SPECIFIED:	DWN S. WELDON 09JUL2004	 TE Connectivity NAME: TERMINAL BLOCK HEADER ASSEMBLY, 90 DEGREE, CLOSED ENDS, HIGH TEMPERATURE, 5.08mm PITCH SIZE: A2 CAGE CODE: 00779 DRAWING NO: 1776038 RESTRICTED TO: -
	0 PLC ±-	CHK C. RICHARD 12JUL2004	
	1 PLC ±0.1	APVD C. RICHARD 12JUL2004	
	2 PLC ±-	PRODUCT SPEC	
	3 PLC ±-	APPLICATION SPEC	
	4 PLC ±-	WEIGHT	
MATERIAL	ANGLES ±-	CUSTOMER DRAWING	SCALE 4:1 SHEET 1 OF 1 REV A7
	FINISH		

X-ON Electronics

Largest Supplier of Electrical and Electronic Components

Click to view similar products for [Pluggable Terminal Blocks](#) category:

Click to view products by [TE Connectivity](#) manufacturer:

Other Similar products are found below :

[57.510.0053](#) [MC 1.5/ 6-ST-3.5 GY AU](#) [ET02015000J0G](#) [734-104](#) [734-302](#) [8-141-P](#) [8426620000](#) [860505](#) [860516](#) [860810](#) [GBPACX-12](#)
[93.731.4953.0](#) [PV05-5,08-K](#) [PVP02-5,00](#) [PVP03-3,50](#) [PVP04-3,50](#) [PVS02-5,00](#) [1-1986160-3](#) [1377680000](#) [1531000000](#) [1546228-5](#)
[ELFH16150](#) [ELFP03110](#) [ELFP10210](#) [ELFT06250](#) [ELVP03100](#) [1700101](#) [1700410](#) [1700425](#) [1702246](#) [1705229](#) [1710175](#) [1714537](#) [1717806](#)
[1719600](#) [1728941](#) [1734692](#) [1734795](#) [1736036](#) [1740194](#) [1740291](#) [1740628](#) [1740990](#) [1746952](#) [1750207](#) [1752441](#) [1752865](#) [1754115](#)
[1754144](#) [1756913](#)