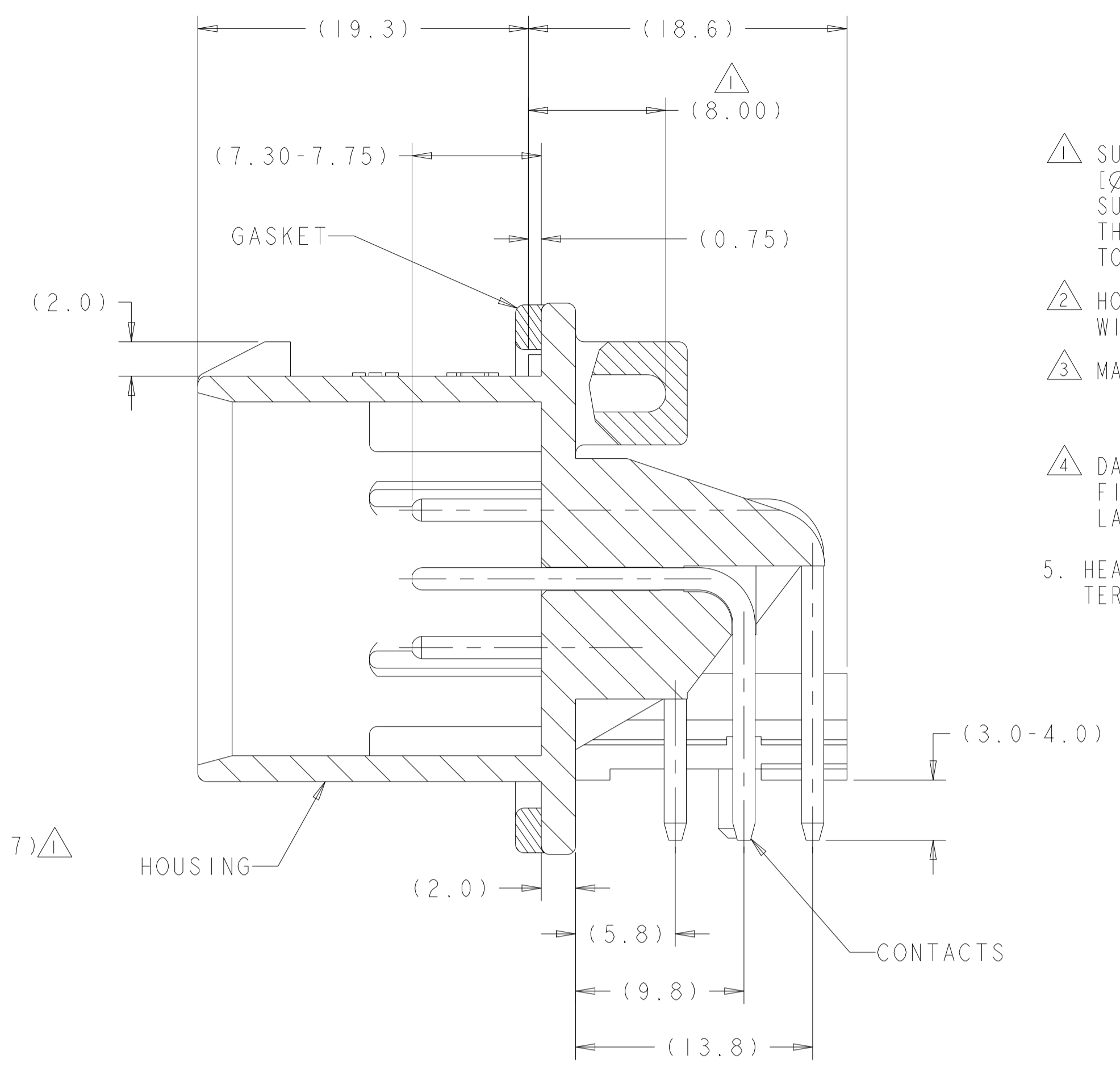
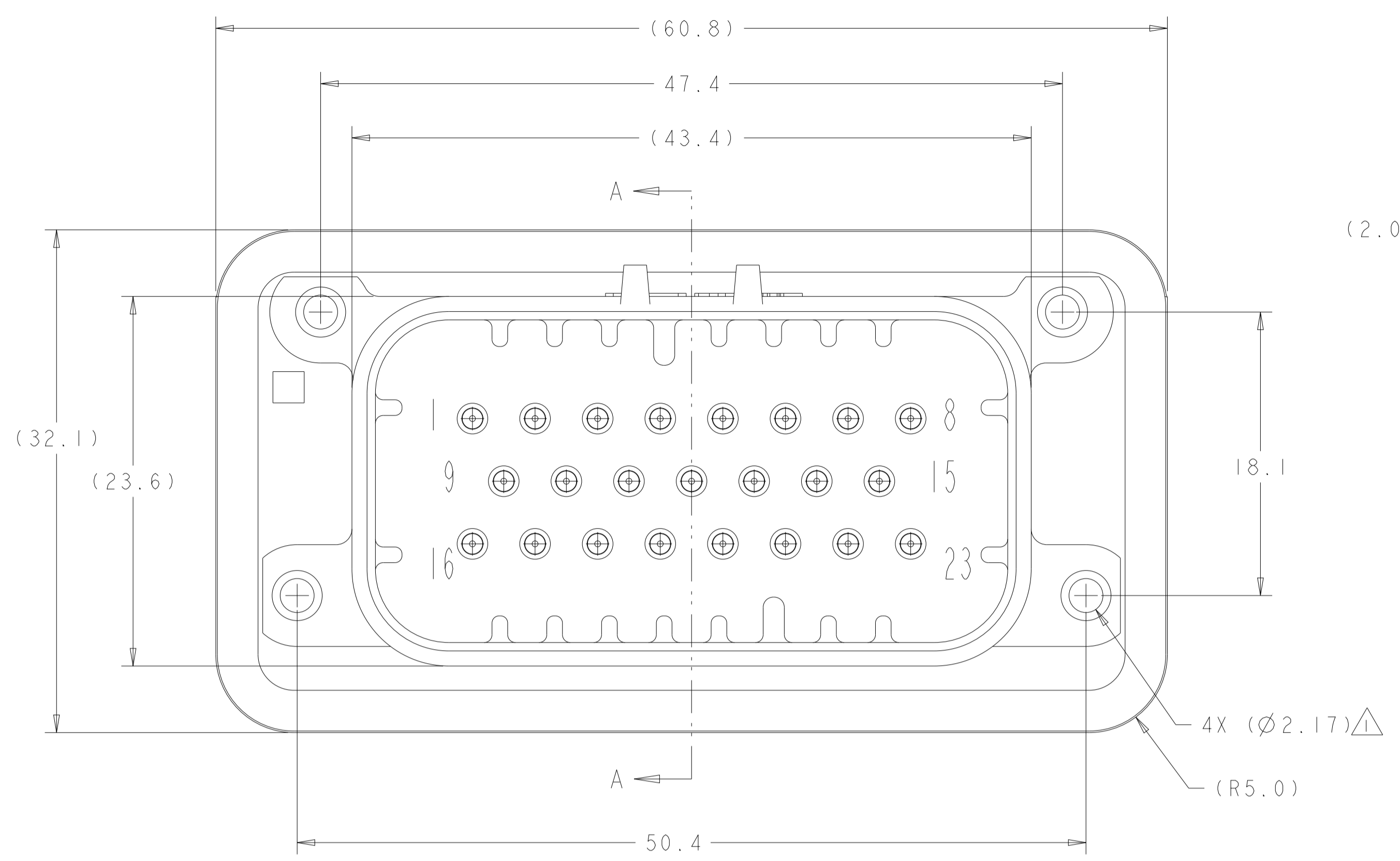
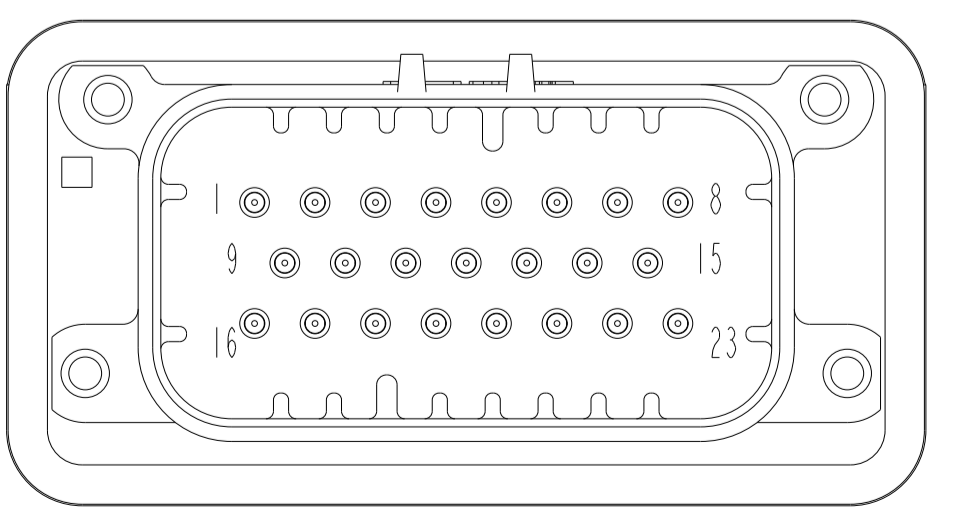
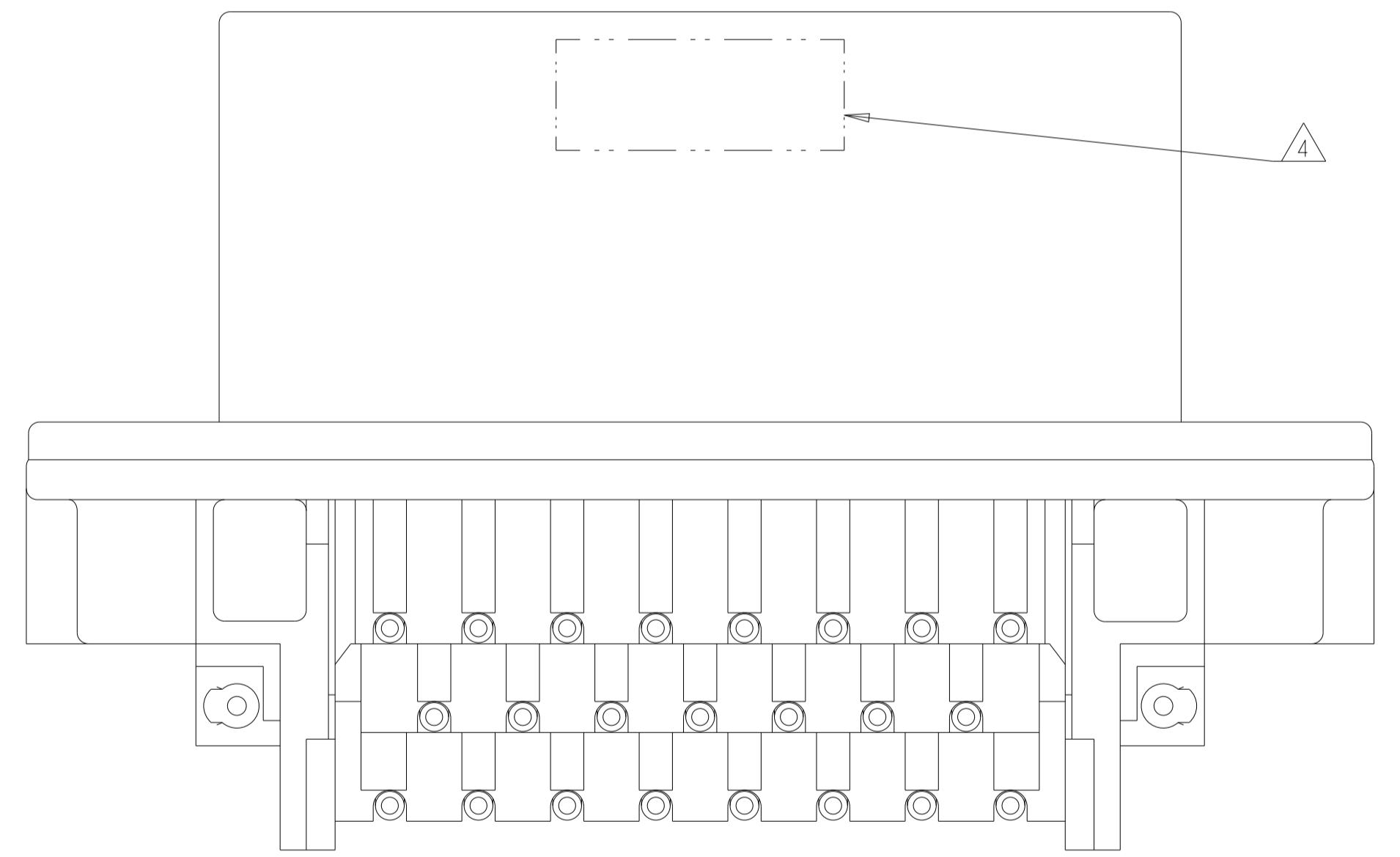


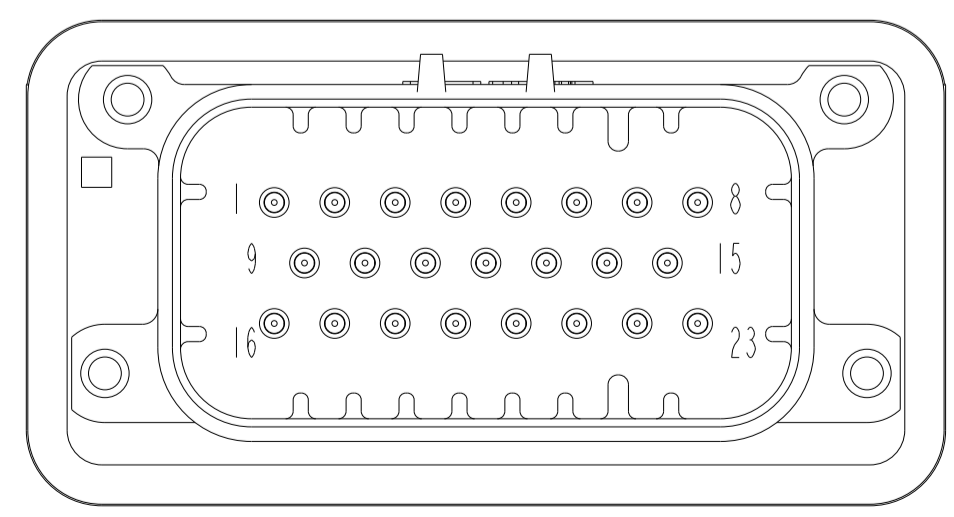
| REVISIONS | | | | |
|-----------|-----|-----------------------------|-----------|----------|
| P | LTN | DESCRIPTION | DATE | OWN APVD |
| E12 | | REVISED PER ECO-19-009419 | 20JUN2019 | DS DS |
| E13 | | REVISED PER ECO-20-004256 | 26MAR2020 | JM DS |
| E14 | | REVISED PER PCN E-20-016603 | 24NOV2020 | PN DS |
| F | | REVISED PER ECN-21-123056 | 08NOV2021 | DK CB |



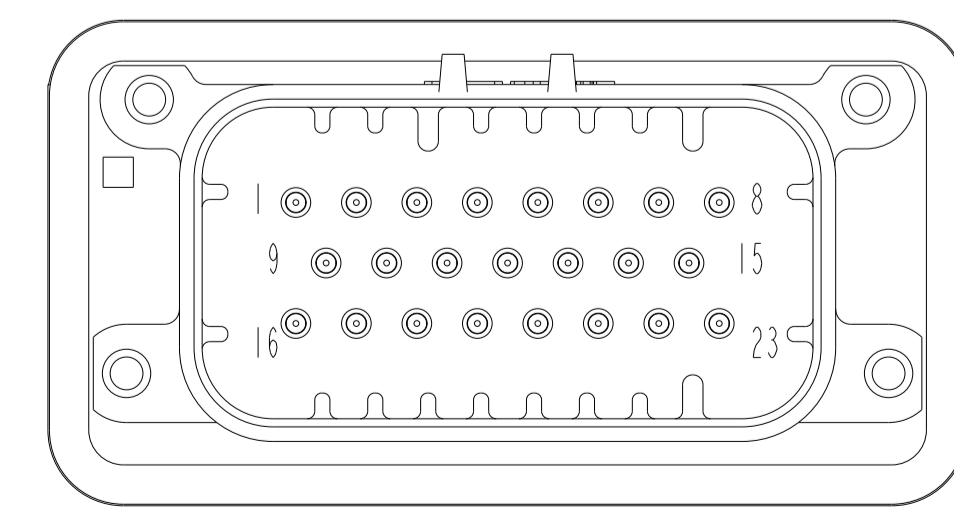
- 1 SUGGESTED MOUNTING SCREW SIZE IS $\varnothing 2.50-3.00\text{mm}$ [$\varnothing 0.099 - 0.118$ INCH] SELF TAPPING THREAD FORMING SCREW, SUCH AS DELTA PT, TO BE DRIVEN AT 0.6-0.8 N-m. THE CUSTOMER SHOULD TEST THE SCREW SIZE AND TYPE IN ORDER TO VERIFY THEIR SELECTION FOR THEIR APPLICATION.
- 2 HOUSING COLORS ARE MECHANICALLY KEYS TO MATE ONLY WITH IDENTICALLY COLORED PLUG ASSEMBLIES.
- 3 MATERIALS: HEADER HOUSING - GLASS FIBERED PBT
PINS - TIN OR GOLD PLATED BRASS
GASKET - SILICONE
- 4 DATE CODE IN THIS LOCATION USING 5 DIGIT CODE
FIRST 2 DIGITS = YEAR, SECOND 2 DIGITS = WEEK
LAST DIGIT = DAY
- 5. HEADER MATES TO PLUG ASSEMBLY 770680 WHICH USES REELED TERMINAL 770520 AND LOOSE PIECE TERMINAL 770854



776087-2 & 1-776087-2
KEY LOCATION AS SHOWN
SCALE 2:1



776087-4 & 1-776087-4
KEY LOCATION AS SHOWN
SCALE 2:1



776087-5 & 1-776087-5
KEY LOCATION AS SHOWN
SCALE 2:1

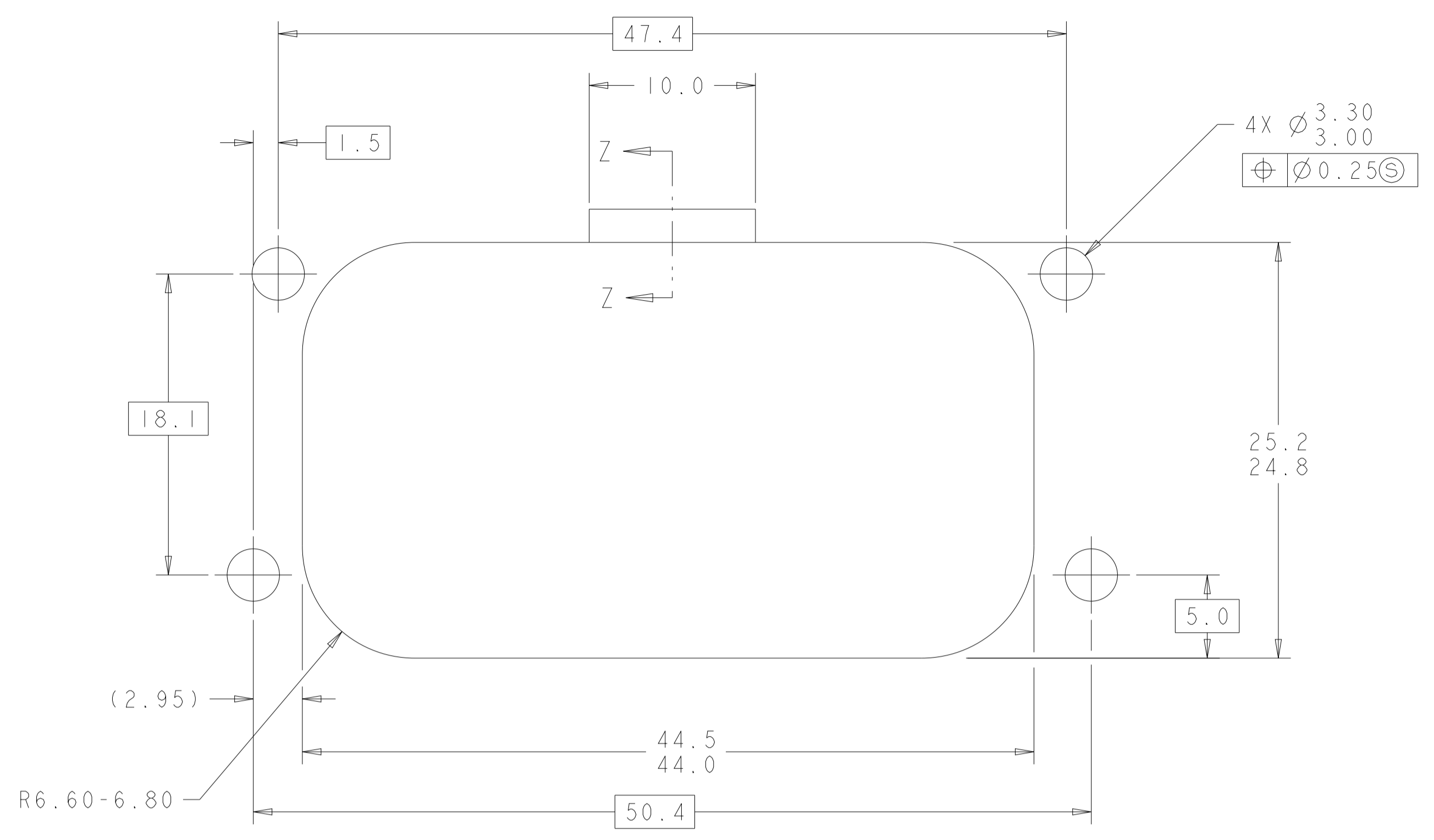
776087-1 & 1-776087-1
KEY LOCATION AS SHOWN

| | | |
|--------|-----------------|-------------|
| GOLD | BLUE | 1-776087-5 |
| GOLD | GRAY | 1-776087-4 |
| GOLD | NATURAL (WHITE) | 1-776087-2 |
| GOLD | BLACK | 1-776087-1 |
| TIN | BLUE | 776087-5 |
| TIN | GRAY | 776087-4 |
| TIN | NATURAL (WHITE) | 776087-2 |
| TIN | BLACK | 776087-1 |
| FINISH | COLOR | PART NUMBER |

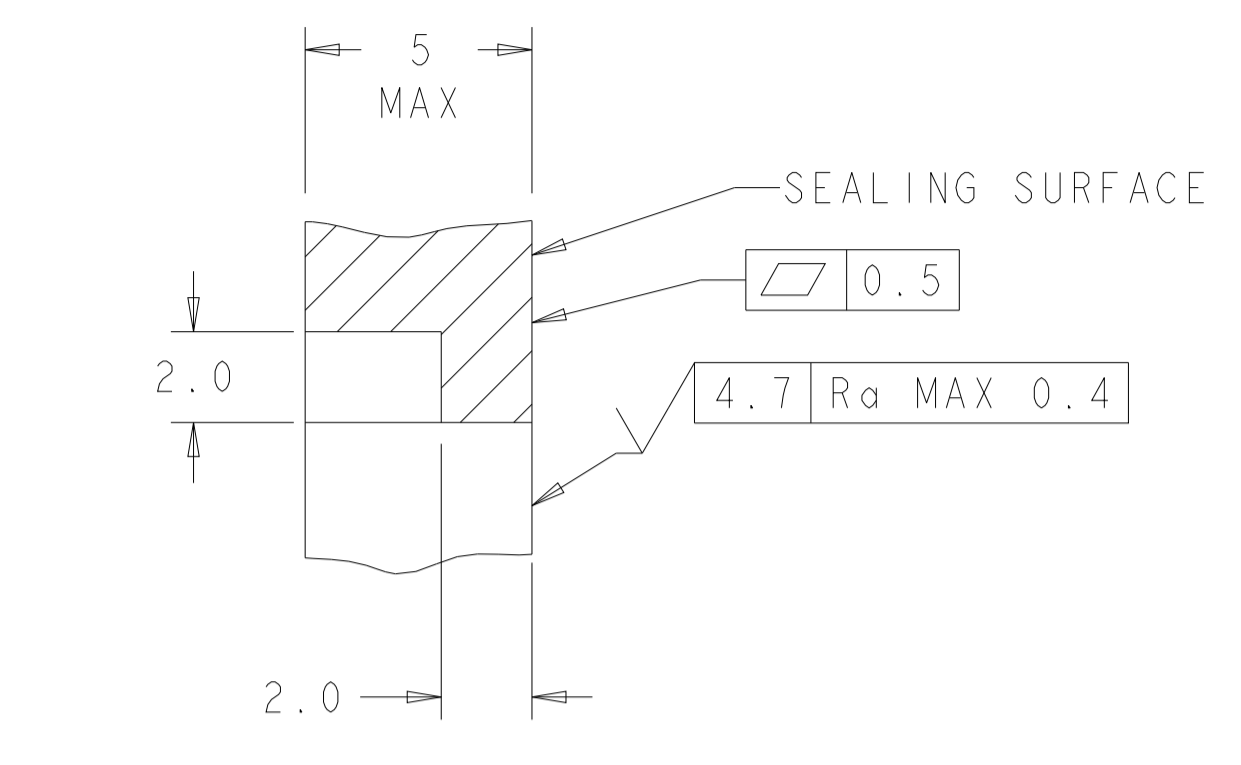
THIS DRAWING IS A CONTROLLED DOCUMENT. OWN: R. VESTAL 31DEC2002, CHK: D. CROWE 31DEC2002, APVD: D. CROWE 31DEC2002. DIMENSIONS: mm. TOLERANCES UNLESS OTHERWISE SPECIFIED: 0 PLC ±0.2, 1 PLC ±, 2 PLC ±, 3 PLC ±, 4 PLC ±, ANGLES ±. MATERIAL: 114-16016. WEIGHT: 29.04g. CUSTOMER DRAWING. SCALE: 4:1. SHEET 1 OF 2. REV F.

TE Connectivity
 NAME: HEADER ASSEMBLY, 23 POSITION, RIGHT ANGLE, AMPSEAL
 SIZE: 114-16016, CAGE CODE: 108-1329, DRAWING NO: 114-16016, RESTRICTED TO: A100779C=776087

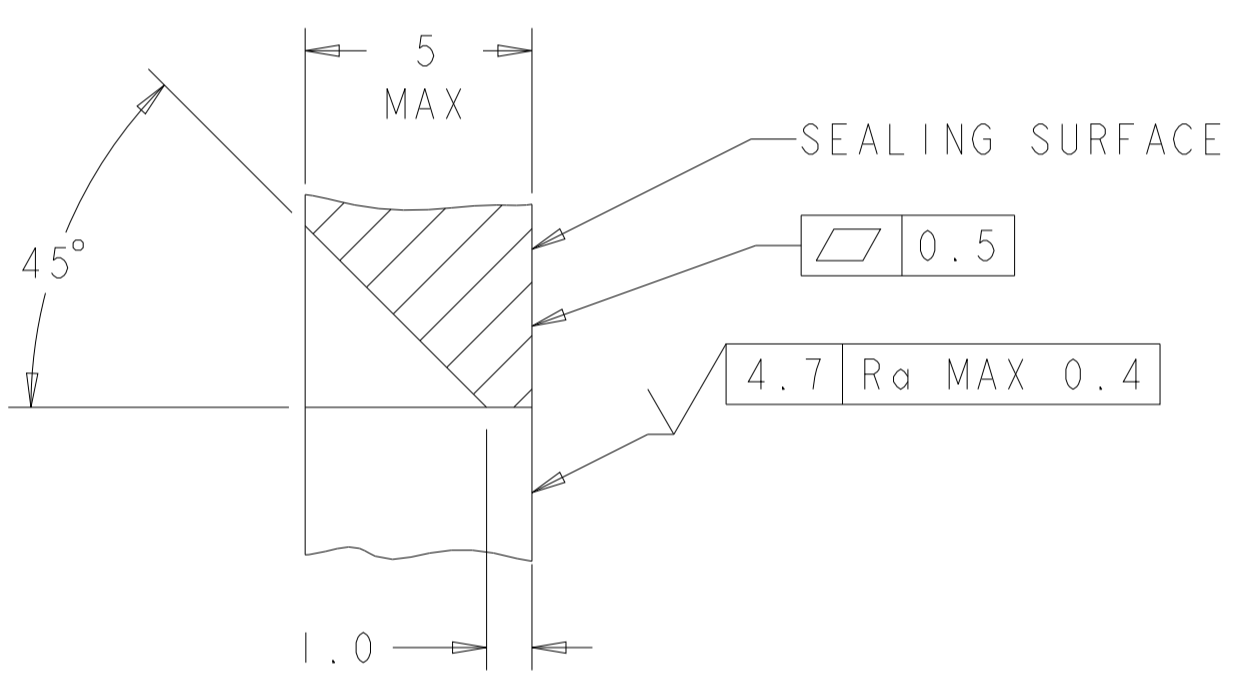
| REVISIONS | | | | |
|-----------|------|-------------|------|-------|
| P. | LTN. | DESCRIPTION | DATE | APPD. |
| - | - | SEE SHEET 1 | - | - |
| | | | | |
| | | | | |



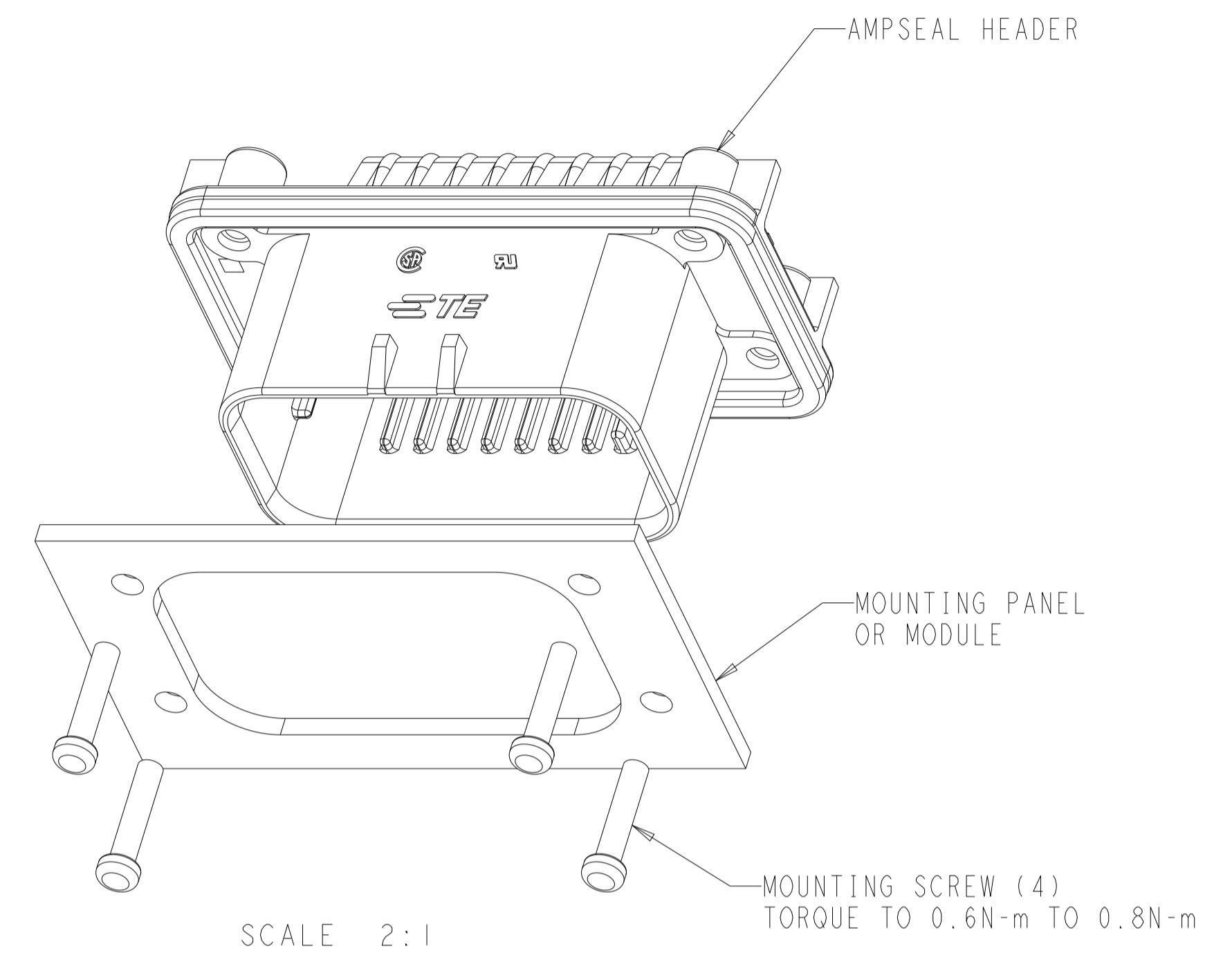
RECOMMENDED MOUNTING HOLE LAYOUT FOR 5.0 MAX THICK PANEL



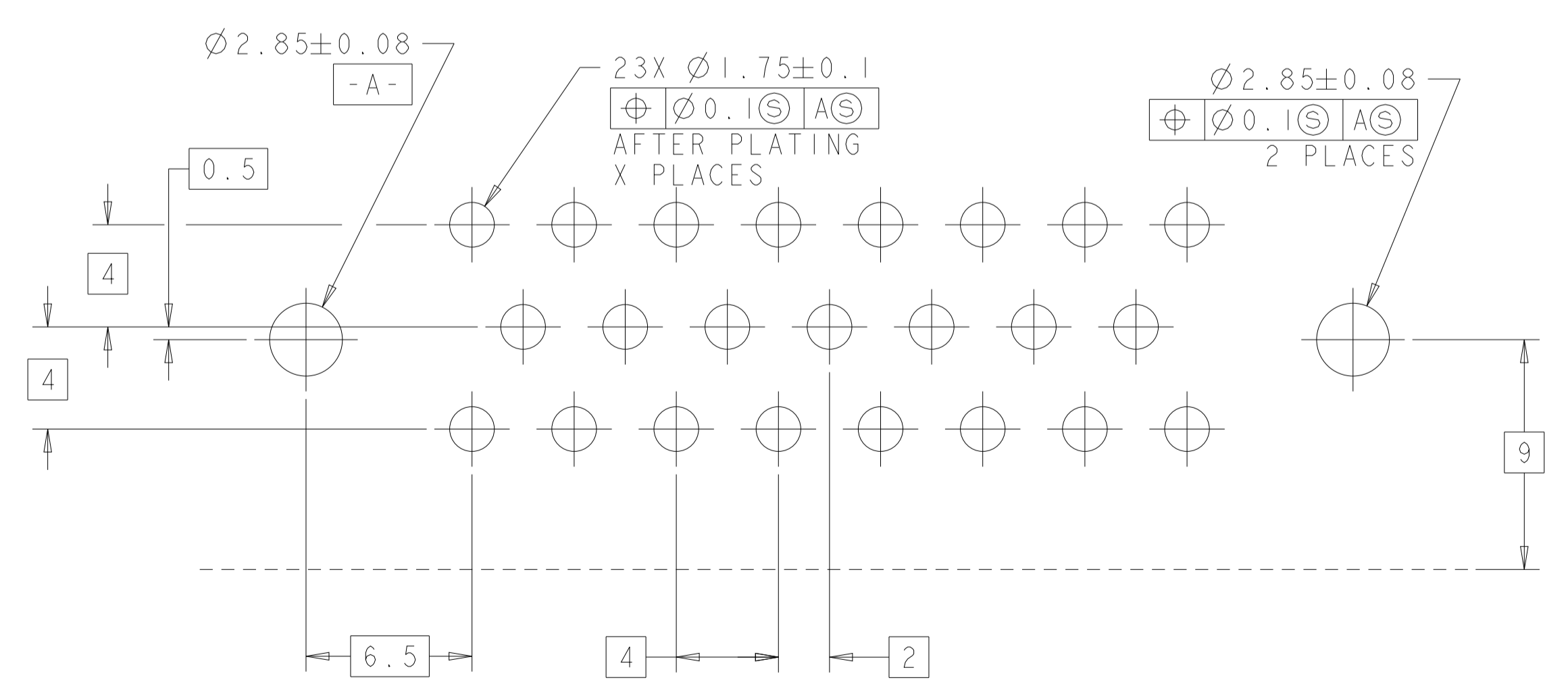
SECTION Z-Z
 OPTIONAL CONSTRUCTION IF THICKNESS IS GREATER THAN 2.0
 SCALE 6:1



SECTION Z-Z
 OPTIONAL CONSTRUCTION IF THICKNESS IS GREATER THAN 2.0
 SCALE 6:1



SCALE 2:1
 ENSURE THE HEADER IS FLUSH TO THE PANEL FACE ALL AROUND BEFORE TIGHTENING TO FINAL TORQUE



RECOMMENDED P.C. BOARD LAYOUT FOR 1.57 THICK P.C. BOARD

| | | | |
|--|-------------|----------------------------|---|
| THIS DRAWING IS A CONTROLLED DOCUMENT. | | OWN R. VESTAL 31DEC2002 | TE Connectivity |
| DIMENSIONS: mm | | CHK D. CROWE 31DEC2002 | |
| TOLERANCES UNLESS OTHERWISE SPECIFIED: | | APVD D. CROWE 31DEC2002 | NAME HEADER ASSEMBLY, 23 POSITION, RIGHT ANGLE, AMPSEAL |
| 0 PLC ±0.2 | 1 PLC ±0.13 | PRODUCT SPEC 108-1329 | SIZE CAGE CODE DRAWING NO RESTRICTED TO |
| 2 PLC ±0.13 | 3 PLC ±0.13 | APPLICATION SPEC 114-16016 | SCALE 2:1 SHEET 2 OF 2 REV F |
| 4 PLC ±0.13 | ANGLES ±0.5 | WEIGHT 29.04g | |
| MATERIAL - | FINISH - | CUSTOMER DRAWING | |

X-ON Electronics

Largest Supplier of Electrical and Electronic Components

Click to view similar products for [Automotive Connectors](#) category:

Click to view products by [TE Connectivity](#) manufacturer:

Other Similar products are found below :

[003-018-000](#) [60403001](#) [60993906-B](#) [M902-2131](#) [M902-2161](#) [M902-2344](#) [72.330.1035.1](#) [73.353.4028.0](#) [F119300-B](#) [F166900](#) [F258300-B](#)
[F358300-B](#) [F407400](#) [F444110](#) [F487000](#) [F509500B-B](#) [827153-1](#) [8N1515-32-24P](#) [9-1326729-8](#) [925474-1](#) [928905-1](#) [964562-4](#) [968782-1](#)
[GT17SA-8DS-HU](#) [98891-1012](#) [98947-1016](#) [12004147](#) [12004475-L](#) [12010290](#) [12010309-B](#) [12015454](#) [12020219-B](#) [12041318-B](#) [12052225-](#)
[L](#) [12052466](#) [12064869](#) [12004327-B](#) [12015308](#) [12015384](#) [12015909](#) [1-21030-1](#) [12041254](#) [12041318](#) [12047946-B](#) [12047957](#) [12047957-L](#)
[12059473](#) [12066261](#) [12110546](#) [12110546-B](#)