

THIS DRAWING IS UNPUBLISHED. RELEASED FOR PUBLICATION
 © COPYRIGHT BY TYCO ELECTRONICS CORPORATION. ALL RIGHTS RESERVED.

LOC		DIST		REVISIONS			
P	LTR	DESCRIPTION	DATE	DWN	APVD		
0		REVISED PER 0G3B-1162-04	1/12/05	SS	SRY		

NOTES:
 ▲ MATERIAL: .032 THICK, BRASS, TEMPERED.
 ▲ FINISH: BRIGHT TIN PLATE.

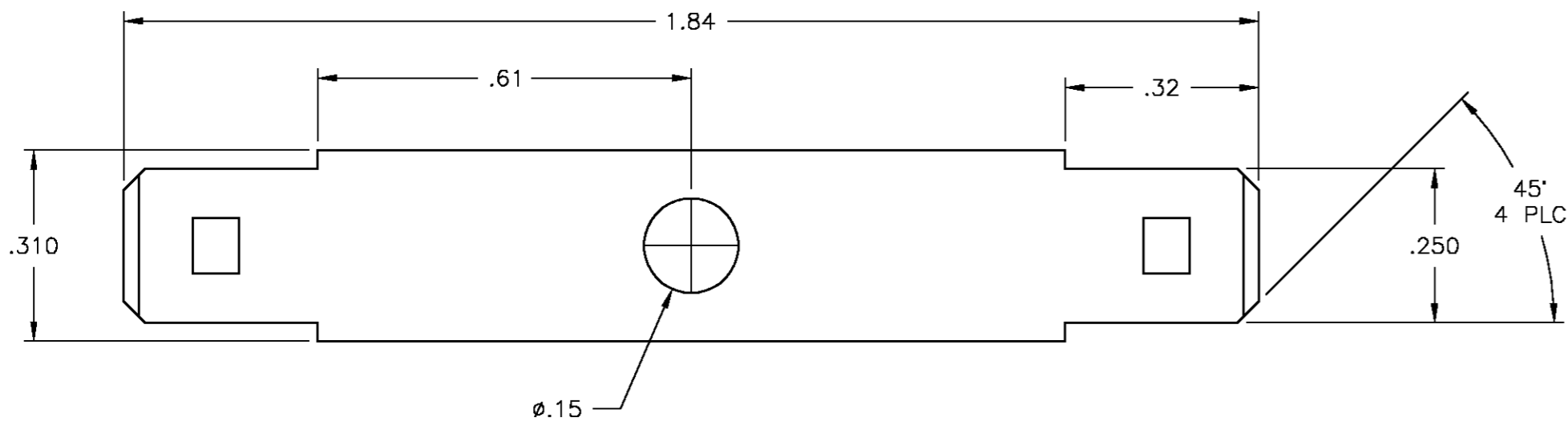


FIGURE 1

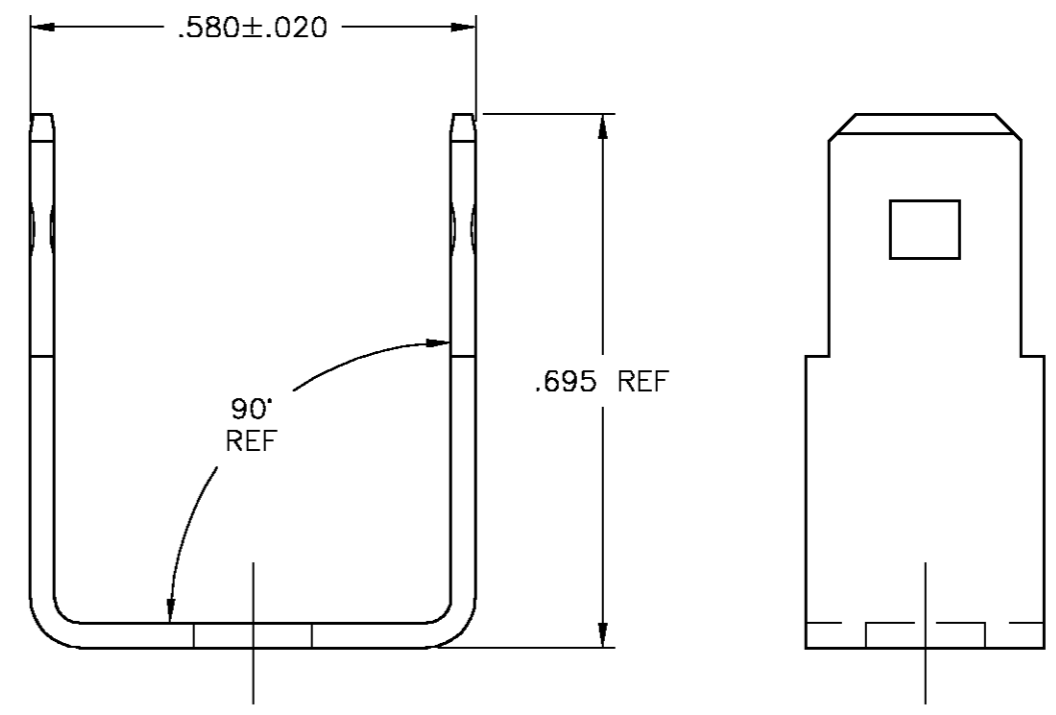
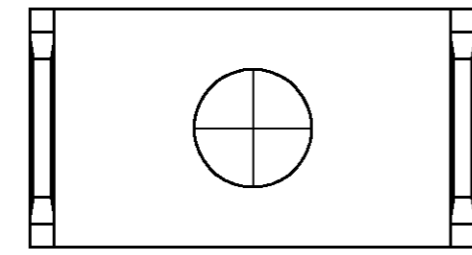
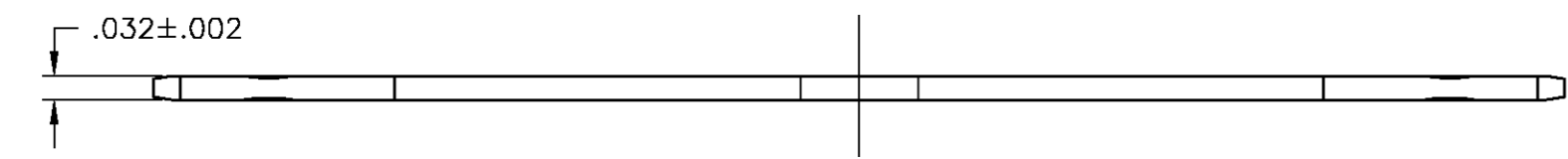


FIGURE 2

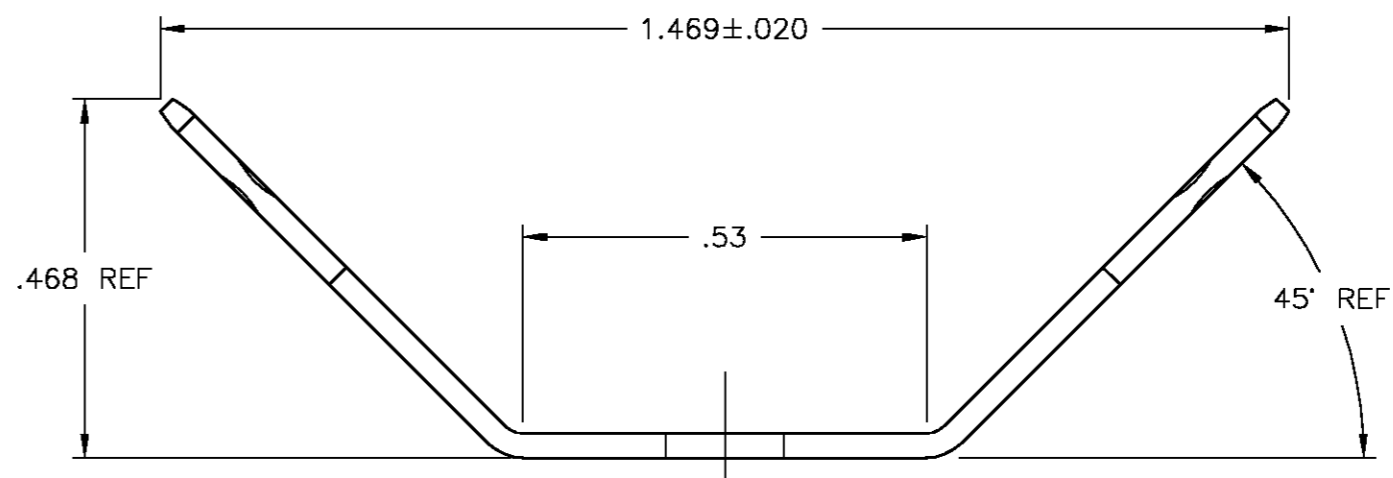
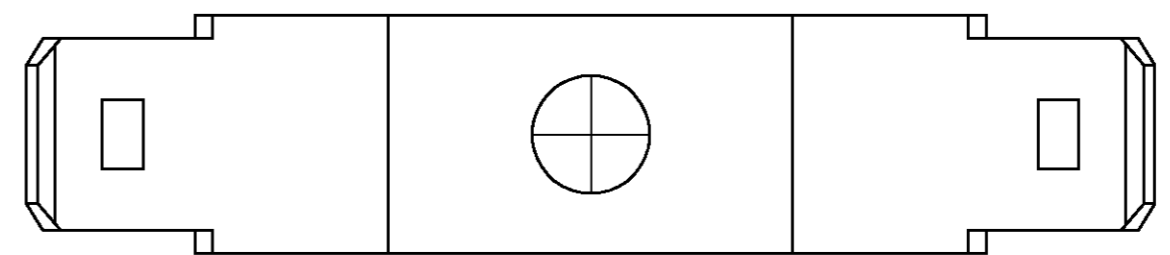


FIGURE 3

FIGURE 3	1776090-3
FIGURE 2	1776090-2
FIGURE 1	1776090-1
FIGURE	PART NO.

THIS DRAWING IS A CONTROLLED DOCUMENT.		DWN	S SCHLEGEL	5/19/04	BUCHANAN Tyco Electronics Corporation Harrisburg, Pa 17105-3608
DIMENSIONS: INCHES		CHK	S YODER	5/19/04	
TOLERANCES UNLESS OTHERWISE SPECIFIED:		APVD	S YODER	5/19/04	
0 PLC ± - 1 PLC ± - 2 PLC ± .01 3 PLC ± .005 4 PLC ± - ANGLES ± 2°		PRODUCT SPEC		NAME	
MATERIAL - ▲		FINISH -		APPLICATION SPEC	
		WEIGHT -		RESTRICTED TO	
		CUSTOMER DRAWING		SCALE 4:1 SHEET 1 OF 1 REV 0	

X-ON Electronics

Largest Supplier of Electrical and Electronic Components

Click to view similar products for [Terminal Block Tools & Accessories](#) category:

Click to view products by [TE Connectivity](#) manufacturer:

Other Similar products are found below :

[00171430102](#) [00171420102](#) [600HL](#) [600RJ-07](#) [600RJ-11](#) [600RJ-14](#) [600RJS-10](#) [600RJS-12](#) [600RJS-15](#) [600RJS-21](#) [601RJ-09](#) [602SP](#) [602Z](#)
[604J](#) [CSTSPC1-2](#) [7B941-7](#) [88943-2100](#) [QC102](#) [1437403-6](#) [1437403-9](#) [1437403-8](#) [1453128-1](#) [147832-1](#) [EC0037-000](#) [MT2/H--](#) [MT6/H-N](#)
[MT6/V-GRND](#) [MT8/H-51-60](#) [BC2-12](#) [BCC-1-8/10](#) [EP2.5/4UN/BG](#) [1707755](#) [1735590](#) [1755480](#) [1789281](#) [1840227](#) [1840230](#) [2-1437402-1](#)
[JA2-03](#) [JB1-03/J](#) [JB2-04](#) [JB2-05](#) [JB2-07](#) [JB2-09/J](#) [PARALLELJUMPERLINK](#) [JS601](#) [2204082](#) [2302463](#) [2305949](#) [8PCV-BUSHING](#)