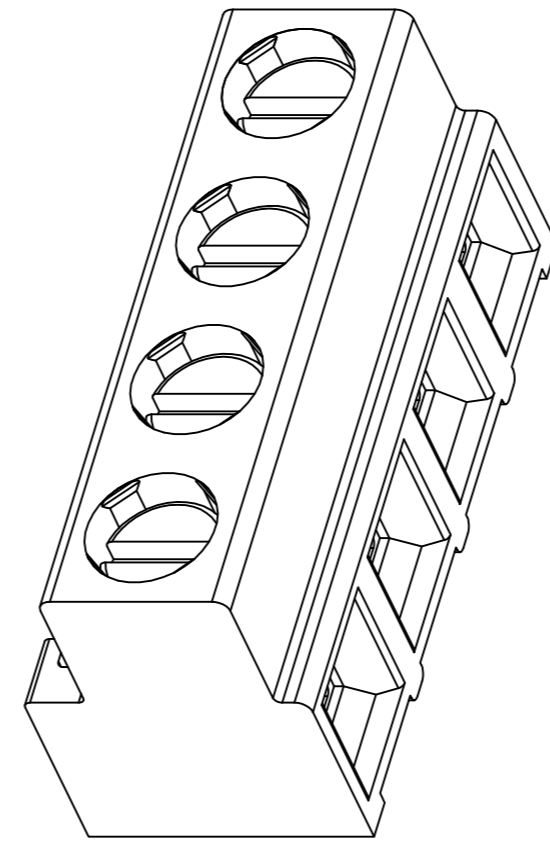
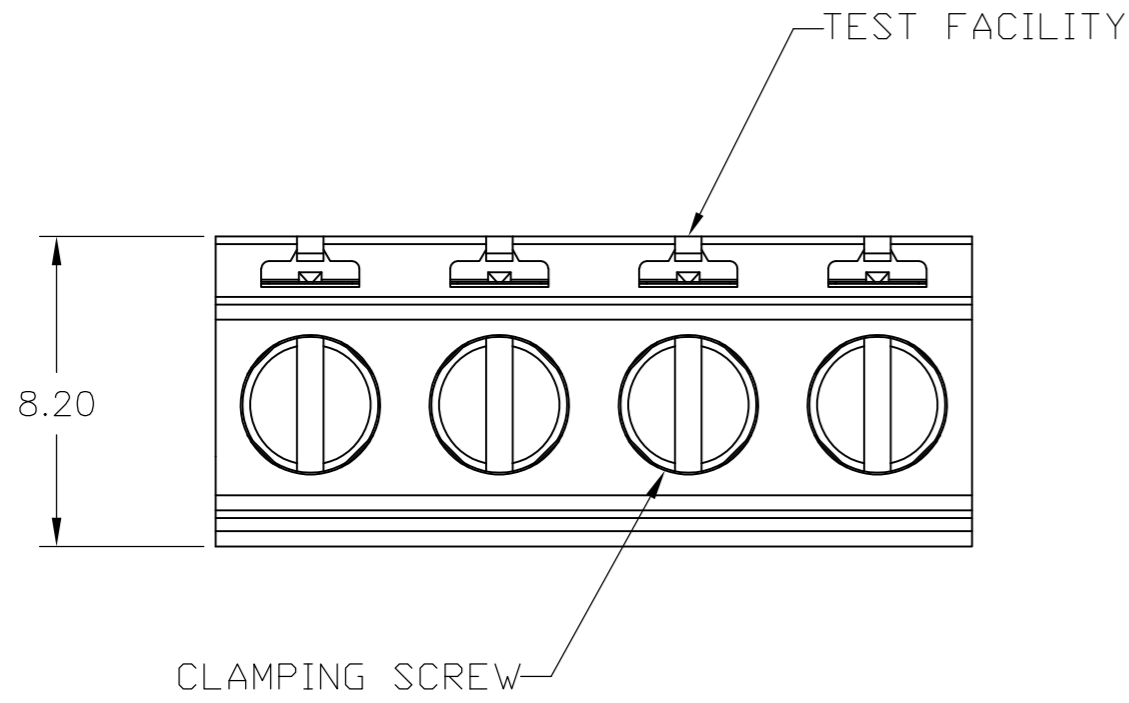


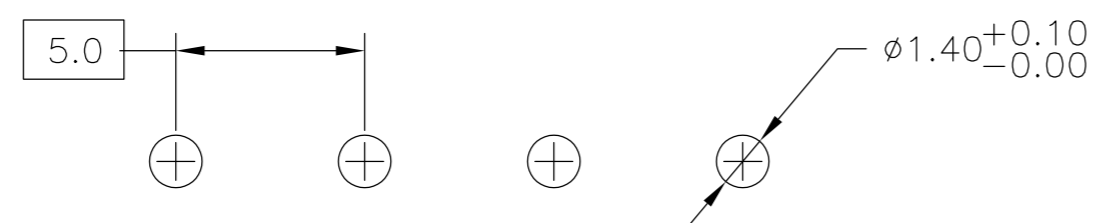
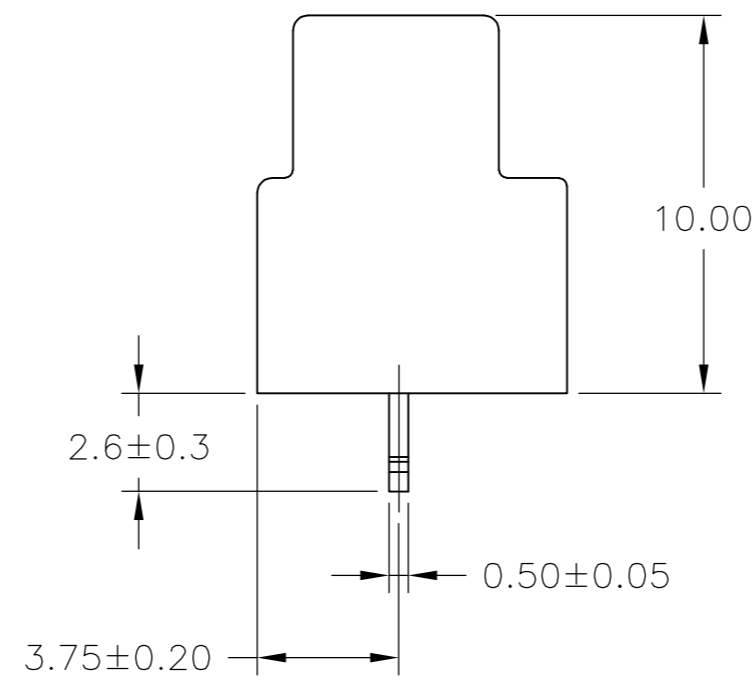
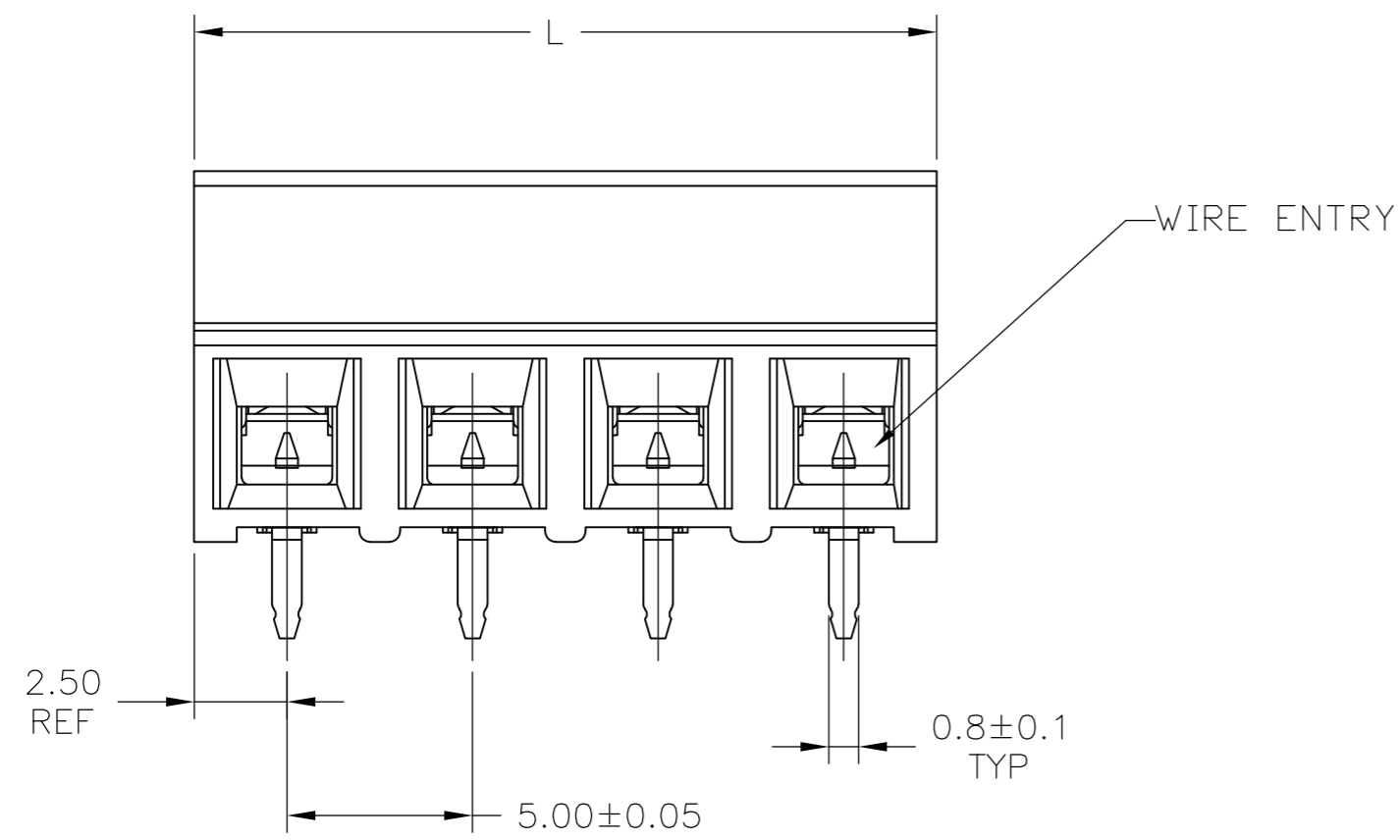
THIS DRAWING IS UNPUBLISHED. RELEASED FOR PUBLICATION  
 © COPYRIGHT BY TYCO ELECTRONICS CORPORATION. ALL INTERNATIONAL RIGHTS RESERVED.

LOC		DIST		REVISIONS			
P	LTR	DESCRIPTION		DATE	DWN	APVD	
FT	00	A1	REV PER ECR 10-022703		04NOV10	JR	CR



1776118-4 AS SHOWN

- 1 MATERIAL AND FINISH:  
 HOUSING: HIGH TEMP POLYAMIDE, UL 94V-0 RATED,  
 COLOR - BLACK  
 CLAMP: BRASS, NICKEL PLATED  
 TERMINAL: BRASS, TIN PLATED  
 CLAMPING SCREW: M3, BRASS, NICKEL PLATED
- 2 END-TO-END STACKABLE WITHOUT LOSS OF CENTERLINE SPACING
- 3 WIRE SIZE RANGE: 16-28 AWG
- 4 RECOGNIZED UNDER THE COMPONENT PROGRAM OF UNDERWRITERS LABORATORIES INC. FILE NO. E60677
- 5 IMQ CERTIFICATE WITH SURVEILLANCE IN COMFORMITY WITH IEC 998-17998-2-1.



RECOMMENDED PC BOARD LAYOUT

TAPE AND REEL	15.0	3	1-1776118-3
-	40.0	8	1776118-8
-	35.0	7	1776118-7
-	30.0	6	1776118-6
-	25.0	5	1776118-5
-	20.0	4	1776118-4
-	15.0	3	1776118-3
-	10.0	2	1776118-2
PACKAGING	L.	NUMBER OF POSN.	PART NO.

THIS DRAWING IS A CONTROLLED DOCUMENT.		DWN JR RUTH 28OCT2010	Tyco Electronics Corporation Harrisburg, PA 17105-3608	
DIMENSIONS: mm		CHK C. RICHARD 28OCT10	NAME C. RICHARD 28OCT10	
TOLERANCES UNLESS OTHERWISE SPECIFIED: 0 PLC ± - 1 PLC ± .2 2 PLC ± .15 3 PLC ± - 4 PLC ± - ANGLES ± -		APVD C. RICHARD 28OCT10	PRODUCT SPEC - APPLICATION SPEC -	
MATERIAL - 1	FINISH - 1	WEIGHT -	SIZE A2	CAGE CODE 00779
CUSTOMER DRAWING			DRAWING NO C=1776118	RESTRICTED TO -
SCALE 5:1		SHEET 1 OF 1	REV A1	

## X-ON Electronics

Largest Supplier of Electrical and Electronic Components

*Click to view similar products for [Fixed Terminal Blocks](#) category:*

*Click to view products by [TE Connectivity](#) manufacturer:*

Other Similar products are found below :

[MBE-1512](#) [MBE-154](#) [MBE-156](#) [MBES-153](#) [MBES-156](#) [MH-2512](#) [MHE-132](#) [MHE-163](#) [MI-254 \(35\)](#) [MI-272](#) [880507](#) [MPT-275](#)  
[15602-04-08-21](#) [BA311TU](#) [BA411SU](#) [MV-152](#) [MV-252-D](#) [MV-253/NCNOC](#) [MV-254-D](#) [MV-255](#) [MV-462](#) [MV-493](#) [MVE-252](#) [MVE-253](#)  
[MVE-273](#) [MVEB-153](#) [1700096](#) [1705142](#) [1712417](#) [1713020](#) [1713088](#) [1745195](#) [1760594](#) [1776118-2](#) [1790852](#) [1-796689-8](#) [1-796692-6](#)  
[1800001](#) [1800114](#) [1995279](#) [20020314-C121B01LF](#) [CB2-12](#) [KP03215000J0G](#) [KP04215000J0G](#) [S451](#) [282802-2](#) [29.007](#) [29.116](#) [30.103](#)  
[30.106](#)