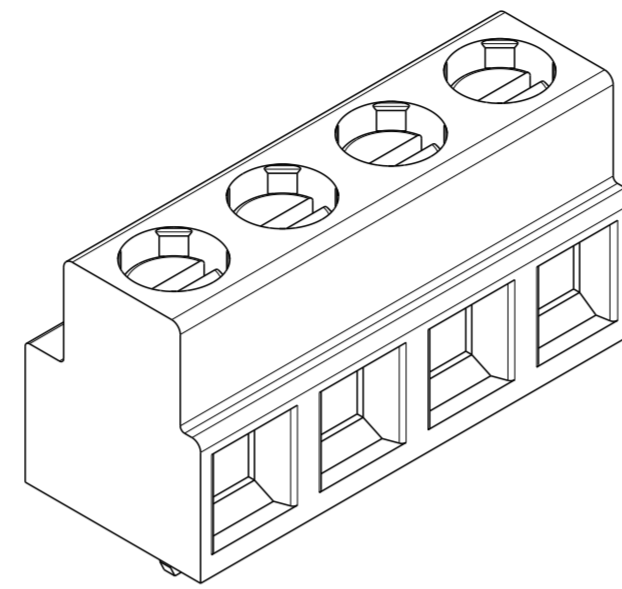
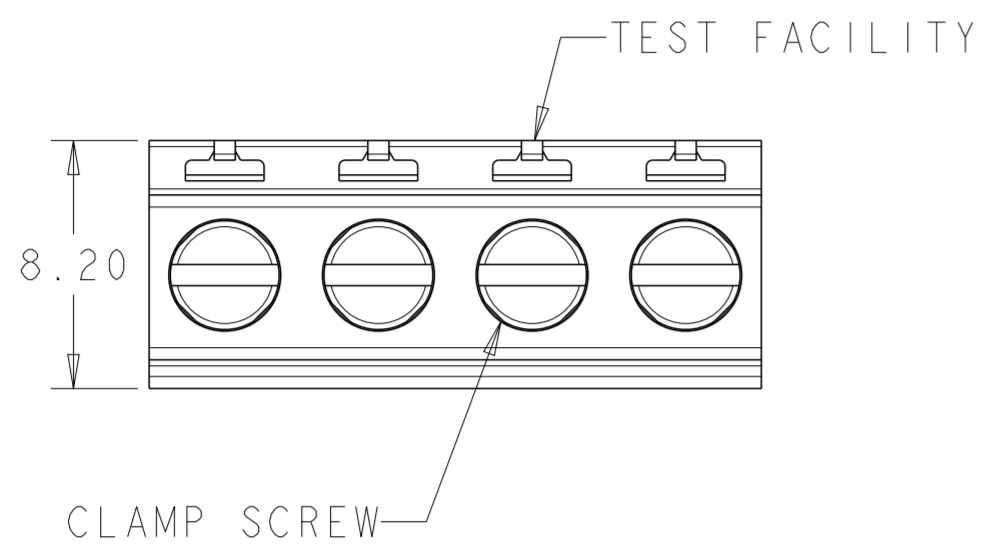


REVISIONS				
P	LTR	DESCRIPTION	DATE	APVD
	B7	DRAFTING ERROR CORRECTION	01JUL2019	RK PS



1776119-4 AS SHOWN

- MATERIAL AND FINISH
 HOUSING : HIGH TEMPERATURE POLYAMIDE, UL 94V-0 RATED, COLOR: BLACK
 CLAMP : COPPER ALLOY, NICKEL PLATED.
 TERMINAL: COPPER ALLOY, TIN PLATED.
 CLAMPING SCREW: M3, COPPER ALLOY, NICKEL PLATED.

- MECHANICAL:
 RECOMENDED TIGHTENING TORQUE : 0.5Nm
 WIRE STRIPPING LENGTH : 5.0-6.0mm
 BOARD HOLES DIAMETER : 1.3mm
 MAX. PC BOARD THICKNESS : 2.4mm

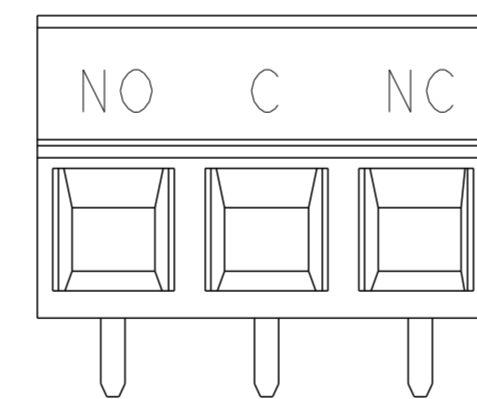
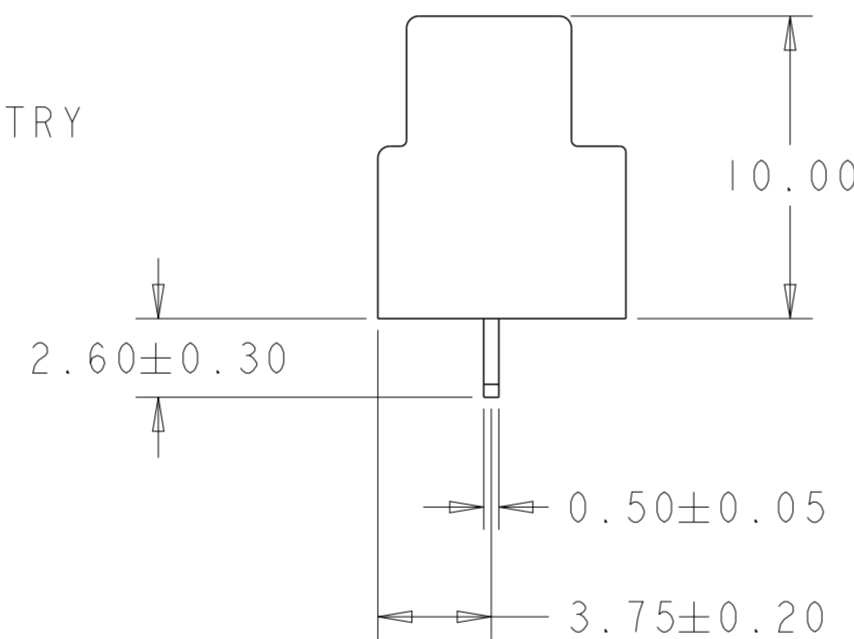
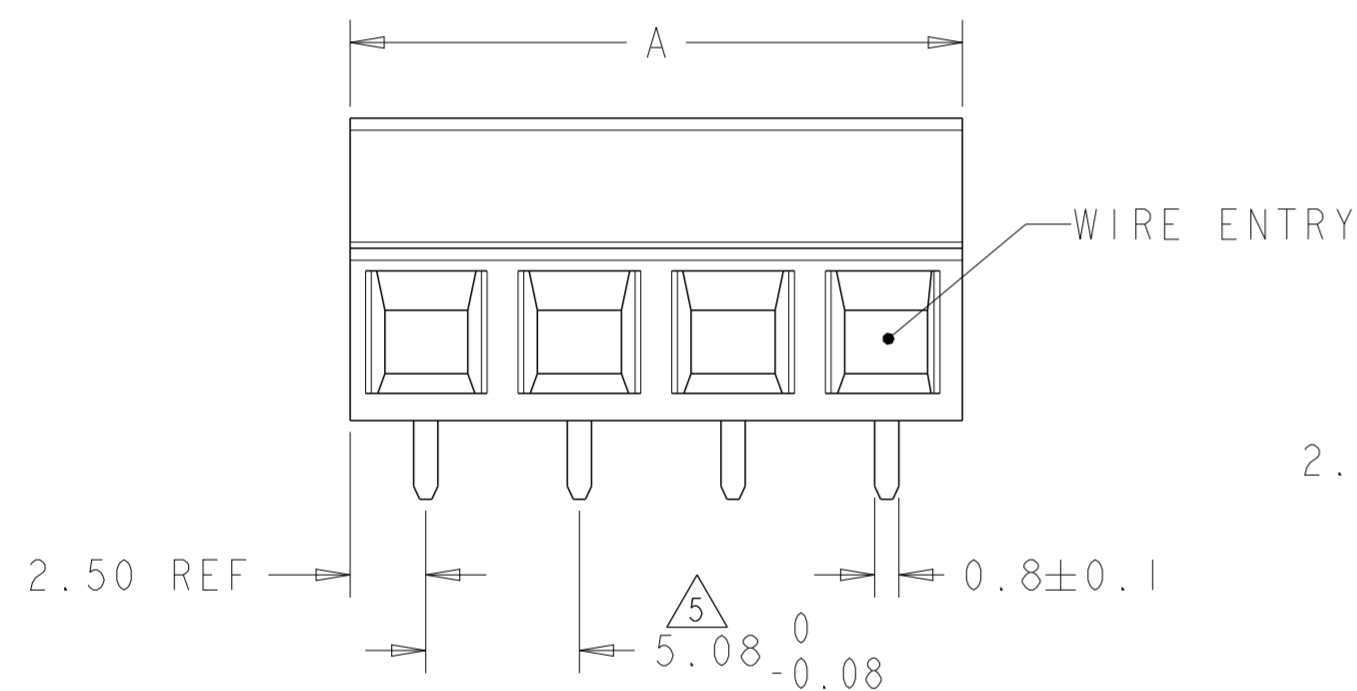
- ELECTRICAL
 WIRE RANGE : 16-30 AWG
 MAX. VOLTAGE : 300 V
 MAX CURRENT : 13.5 A
 CONTACT RESISTANCE : < 15 m Ohm
 INSULATION RESISTANCE : > 1000 M Ohm (500V DC)

- OPERATING TEMPERATURE RANGE: -40°C TO +105°C

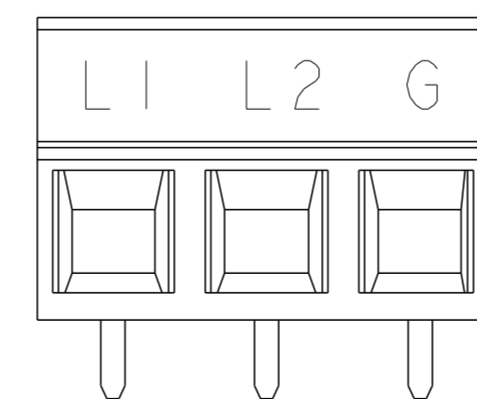
5 TOLERANCE NOT CUMULATIVE.

6. RECOGNIZED UNDER THE COMPONENT PROGRAM OF UNDERWRITERS LABORATORIES IN.. FILE NO. E60677.

7 PERMANENT INK MARKING, WHITE.

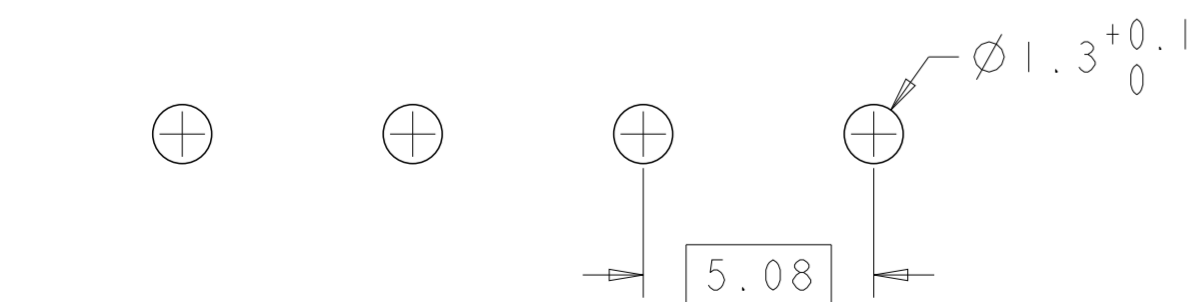


2-1776119-0 AS SHOWN



2-1776119-1 AS SHOWN

7	15.24 ⁺⁰ _{-0.22}	3	2-1776119-1
7	15.24 ⁺⁰ _{-0.22}	3	2-1776119-0
	30.48 ⁺⁰ _{-0.45}	6	1776119-6
	25.40 ⁺⁰ _{-0.38}	5	1776119-5
	20.32 ⁺⁰ _{-0.30}	4	1776119-4
	15.24 ⁺⁰ _{-0.22}	3	1776119-3
	10.16 ⁺⁰ _{-0.16}	2	1776119-2
	A	NO OF POSN	PART NUMBER



RECOMMENDED PC BOARD LAYOUT

THIS DRAWING IS A CONTROLLED DOCUMENT.		DWN S. WELDON 19NOV2008	TE Connectivity	
DIMENSIONS: mm		CHK C. RICHARD 19NOV2008		
TOLERANCES UNLESS OTHERWISE SPECIFIED:		APVD C. RICHARD 19NOV2008	NAME	
0 PLC ±		PRODUCT SPEC	TERMINAL BLOCK ASSEMBLY, PCB MOUNT, STACKING SIDE WIRE ENTRY, 5.08mm PITCH	
1 PLC ±0.2		APPLICATION SPEC	SIZE	RESTRICTED TO
2 PLC ±0.15			A2	
3 PLC ±0.001		WEIGHT	CAGE CODE	
4 PLC ±0.0001			G-1776119	
ANGLES ±2°		CUSTOMER DRAWING	DRAWING NO	
FINISH		SCALE 4:1	SHEET 1 OF 1	REV B7
MATERIAL SEE NOTES				
SEE NOTES				

X-ON Electronics

Largest Supplier of Electrical and Electronic Components

Click to view similar products for [Fixed Terminal Blocks](#) category:

Click to view products by [TE Connectivity](#) manufacturer:

Other Similar products are found below :

[MBE-1512](#) [MBE-154](#) [MBE-156](#) [MBES-153](#) [MBES-156](#) [MH-2512](#) [MHE-132](#) [MHE-163](#) [MI-254 \(35\)](#) [MI-272](#) [880507](#) [MPT-275](#)
[15602-04-08-21](#) [BA311TU](#) [BA411SU](#) [MV-152](#) [MV-252-D](#) [MV-253/NCNOC](#) [MV-254-D](#) [MV-255](#) [MV-462](#) [MV-493](#) [MVE-252](#) [MVE-253](#)
[MVE-273](#) [MVEB-153](#) [1700096](#) [1705142](#) [1712417](#) [1713020](#) [1713088](#) [1745195](#) [1760594](#) [1776118-2](#) [1790852](#) [1-796689-8](#) [1-796692-6](#)
[1800001](#) [1800114](#) [1995279](#) [20020314-C121B01LF](#) [CB2-12](#) [KP03215000J0G](#) [KP04215000J0G](#) [S451](#) [282802-2](#) [29.007](#) [29.116](#) [30.103](#)
[30.106](#)