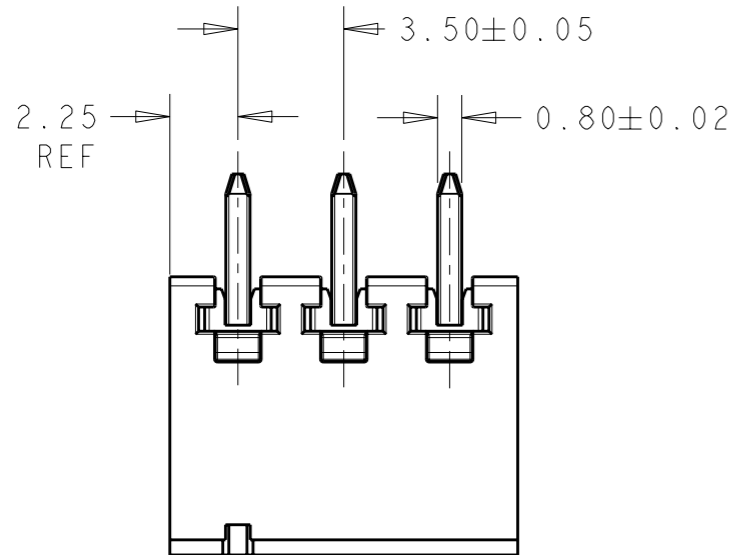


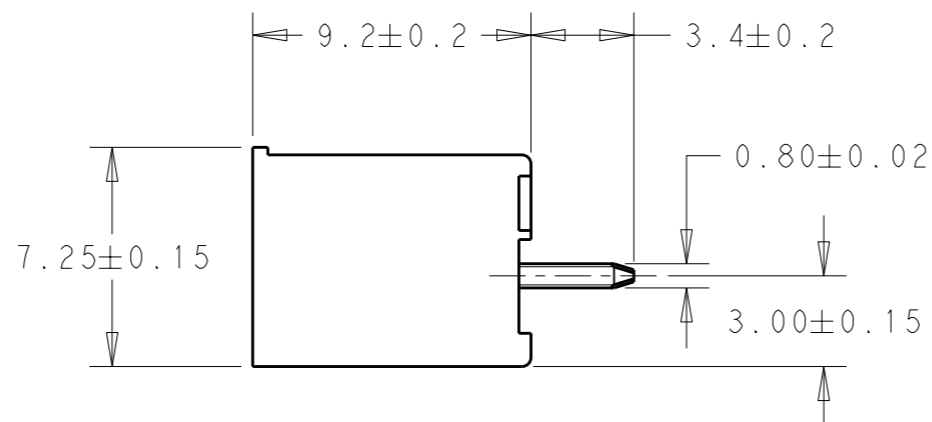
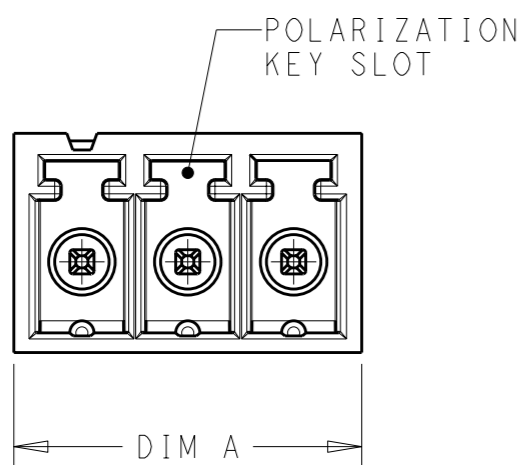
THIS DRAWING IS UNPUBLISHED. RELEASED FOR PUBLICATION 20

© COPYRIGHT 20 BY TYCO ELECTRONICS CORPORATION. ALL INTERNATIONAL RIGHTS RESERVED.

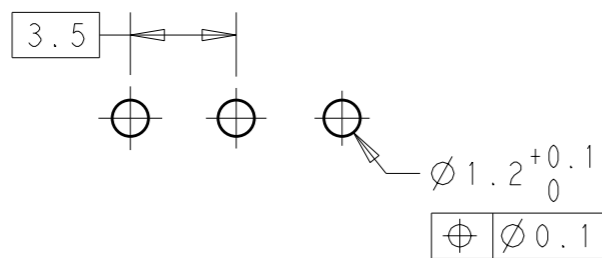
LOC	DIST	REVISIONS				
P	LTR	DESCRIPTION	DATE	DWN	APVD	
-	-	01	REVISED PER ECO-09-027788	06JAN2010	SS	CR



- 1 MATERIAL AND FINISH:  
 HOUSING: HIGH TEMPERATURE POLYAMIDE UL94V-0,  
 COLOR: BLACK.  
 TERMINAL: PHOSPHOR BRONZE, TIN PLATED.
2. SUITABLE FOR 1.6-2.4mm PC BOARD THICKNESS.
3. UL RATING: 300V, 11A.



43.0	12	1-1776130-2
39.5	11	1-1776130-1
36.0	10	1-1776130-0
32.5	9	1776130-9
29.0	8	1776130-8
25.5	7	1776130-7
22.0	6	1776130-6
18.5	5	1776130-5
15.0	4	1776130-4
11.5	3	1776130-3
8.0	2	1776130-2
DIM A	NO. OF POS.	PART NUMBER



RECOMMENDED PC BOARD LAYOUT

THIS DRAWING IS A CONTROLLED DOCUMENT FOR TYCO ELECTRONICS CORPORATION. IT IS SUBJECT TO CHANGE AND THE CONTROLLING ENGINEERING ORGANIZATION SHOULD BE CONTACTED FOR THE LATEST REVISION.

DIMENSIONS:	TOLERANCES UNLESS OTHERWISE SPECIFIED:
mm	0 PLC ±-
	1 PLC ±0.3
	2 PLC ±0.25
	3 PLC ±-
	4 PLC ±-
	ANGLES ±2
MATERIAL -	FINISH -

DWN	06JAN2010
S. SCHLEGEL	
CHK	06JAN2010
C RICHARD	
APVD	06JAN2010
C RICHARD	
PRODUCT SPEC	-
APPLICATION SPEC	-
WEIGHT	-
CUSTOMER DRAWING	

		Tyco Electronics Harrisburg, PA 17105-3608	
NAME TERMINAL BLOCK HEADER ASSEMBLY STRAIGHT, CLOSED ENDS, 3.5mm PITCH			
SIZE	CAGE CODE	DRAWING NO	RESTRICTED TO
A3	00779	C-1776130	-
SCALE	SHEET	OF	REV
4:1	1	1	01

## X-ON Electronics

Largest Supplier of Electrical and Electronic Components

*Click to view similar products for [Pluggable Terminal Blocks](#) category:*

*Click to view products by [TE Connectivity](#) manufacturer:*

Other Similar products are found below :

[57.510.0053](#) [MC 1.5/ 6-ST-3.5 GY AU](#) [734-104](#) [734-302](#) [8-141-P](#) [8426620000](#) [860505](#) [860516](#) [860810](#) [GBPACX-12](#) [93.731.4953.0](#) [PV05-5,08-K](#) [PVP02-5,00](#) [PVP03-3,50](#) [PVP04-3,50](#) [PVS02-5,00](#) [1-1986160-3](#) [1377680000](#) [1531000000](#) [1546228-5](#) [ELFH16150](#) [ELFP03110](#) [ELFP10210](#) [ELFT06250](#) [ELVP03100](#) [1700101](#) [1700410](#) [1700425](#) [1702246](#) [1705229](#) [1710175](#) [1714537](#) [1717806](#) [1719600](#) [1728941](#) [1734692](#) [1734795](#) [1736036](#) [1740194](#) [1740291](#) [1740628](#) [1740990](#) [1746952](#) [1750207](#) [1752441](#) [1752865](#) [1754115](#) [1754144](#) [1756913](#) [1760051](#)