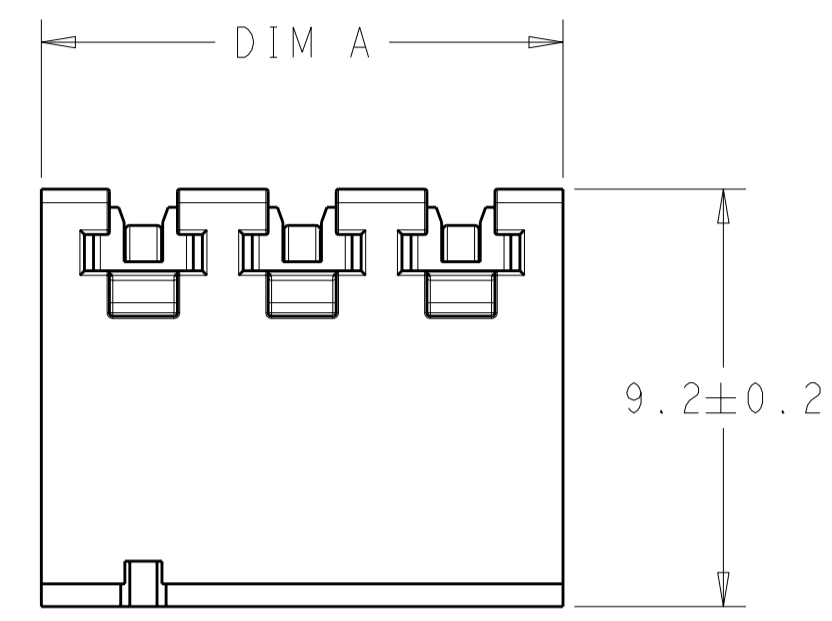
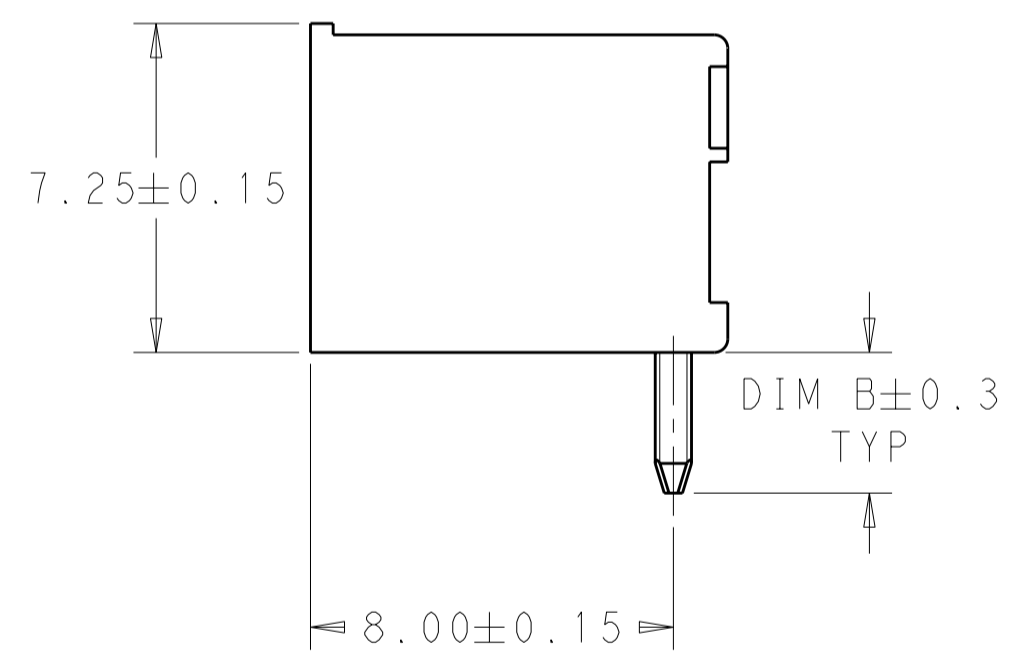
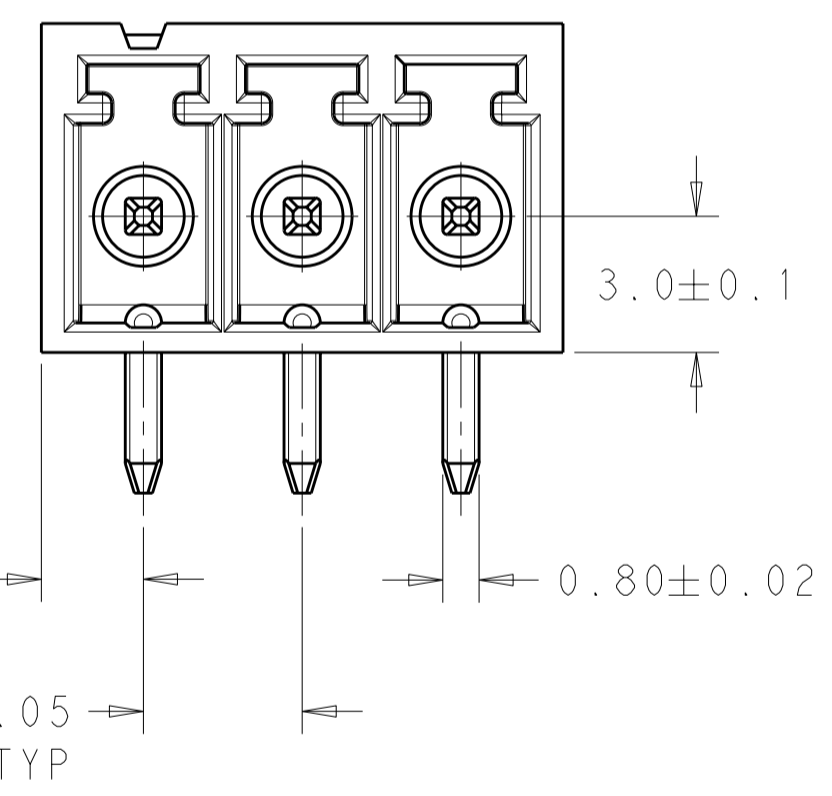


THIS DRAWING IS UNPUBLISHED. RELEASED FOR PUBLICATION 20  
 © COPYRIGHT 20 BY TYCO ELECTRONICS CORPORATION. ALL INTERNATIONAL RIGHTS RESERVED.

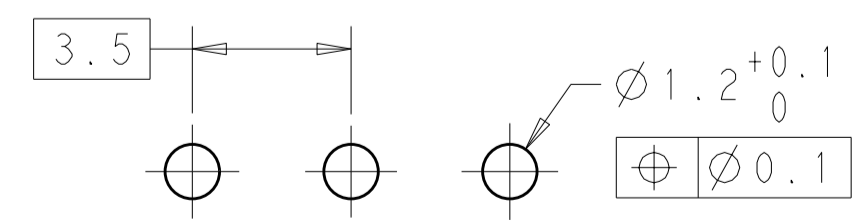
| LOC |     | DIST                      |           | REVISIONS |      |  |  |
|-----|-----|---------------------------|-----------|-----------|------|--|--|
| P   | LTR | DESCRIPTION               | DATE      | DWN       | APVD |  |  |
|     | 02  | REVISED PER ECO-09-027788 | 05JAN2010 | SS        | CR   |  |  |



- 1 MATERIAL AND FINISH:  
 HOUSING: HIGH TEMPERATURE POLYAMIDE, UL94V-0 RATED  
 COLOR BLACK.  
 TERMINAL: BRASS, TIN PLATED
- 2. RECOMMENDED PC BOARD THICKNESS 1.6-2.4mm.
- 3. UL RATING: 300V, 11A.
- 4 PACKAGED IN POCKET TAPE 24mm WIDE.
- 5 PRELIMINARY PART NUMBER.



|   |             |       |       |             |             |
|---|-------------|-------|-------|-------------|-------------|
| 5 | TAPE & REEL | 2.6   | 18.5  | 5           | 1-1776134-5 |
| 5 | TAPE & REEL | 2.6   | 11.5  | 3           | 1-1776134-3 |
|   | BULK        | 3.4   | 43.0  | 12          | 1-1776134-2 |
|   | BULK        | 3.4   | 39.5  | 11          | 1-1776134-1 |
|   | BULK        | 3.4   | 36.0  | 10          | 1-1776134-0 |
|   | BULK        | 3.4   | 32.5  | 9           | 1776134-9   |
|   | BULK        | 3.4   | 29.0  | 8           | 1776134-8   |
|   | BULK        | 3.4   | 25.5  | 7           | 1776134-7   |
|   | BULK        | 3.4   | 22.0  | 6           | 1776134-6   |
|   | BULK        | 3.4   | 18.5  | 5           | 1776134-5   |
|   | BULK        | 3.4   | 15.0  | 4           | 1776134-4   |
|   | BULK        | 3.4   | 11.5  | 3           | 1776134-3   |
|   | BULK        | 3.4   | 8.0   | 2           | 1776134-2   |
|   | PACKAGING   | DIM B | DIM A | NO. OF POS. | PART NUMBER |



RECOMMENDED PC BOARD LAYOUT

|   |  |                                 |   |                        |
|---|--|---------------------------------|---|------------------------|
| THIS DRAWING IS A CONTROLLED DOCUMENT FOR TYCO ELECTRONICS CORPORATION. IT IS SUBJECT TO CHANGE AND THE CONTROLLING ENGINEERING ORGANIZATION SHOULD BE CONTACTED FOR THE LATEST REVISION. |  | DWN<br>S. SCHLEGEL<br>05JAN2010 | Tyco Electronics<br>Harrisburg, PA 17105-3608                                 |                        |
| DIMENSIONS:<br>mm   |  | CHK<br>C. RICHARD<br>05JAN2010  | NAME<br>TERMINAL BLOCK HEADER ASSEMBLY<br>90 DEGREE, CLOSED ENDS, 3.5mm PITCH |                        |
| TOLERANCES UNLESS OTHERWISE SPECIFIED:<br>0 PLC ±<br>1 PLC ±0.3<br>2 PLC ±0.25<br>3 PLC ±<br>4 PLC ±<br>ANGLES ±2<br>FINISH   |  | APVD<br>C. RICHARD<br>05JAN2010 | RESTRICTED TO   |                        |
| MATERIAL  |  | PRODUCT SPEC                    | SIZE<br>A200779   | CAGE CODE<br>C-1776134 |
|   |  | APPLICATION SPEC                | DRAWING NO<br>1776134   | REV<br>02              |
|   |  | WEIGHT                          | SCALE<br>6:1  | SHEET<br>1 OF 1        |
|   |  | CUSTOMER DRAWING                |   |                        |

## X-ON Electronics

Largest Supplier of Electrical and Electronic Components

*Click to view similar products for [Pluggable Terminal Blocks](#) category:*

*Click to view products by [TE Connectivity](#) manufacturer:*

Other Similar products are found below :

[57.510.0053](#) [MC 1.5/ 6-ST-3.5 GY AU](#) [734-104](#) [734-302](#) [8-141-P](#) [8426620000](#) [860505](#) [860516](#) [860810](#) [GBPACX-12](#) [93.731.4953.0](#) [PV05-5,08-K](#) [PVP02-5,00](#) [PVP03-3,50](#) [PVP04-3,50](#) [PVS02-5,00](#) [1-1986160-3](#) [1377680000](#) [1531000000](#) [1546228-5](#) [ELFH16150](#) [ELFP03110](#) [ELFP10210](#) [ELFT06250](#) [ELVP03100](#) [1700101](#) [1700410](#) [1700425](#) [1702246](#) [1705229](#) [1710175](#) [1714537](#) [1717806](#) [1719600](#) [1728941](#) [1734692](#) [1734795](#) [1736036](#) [1740194](#) [1740291](#) [1740628](#) [1740990](#) [1746952](#) [1750207](#) [1752441](#) [1752865](#) [1754115](#) [1754144](#) [1756913](#) [1760051](#)