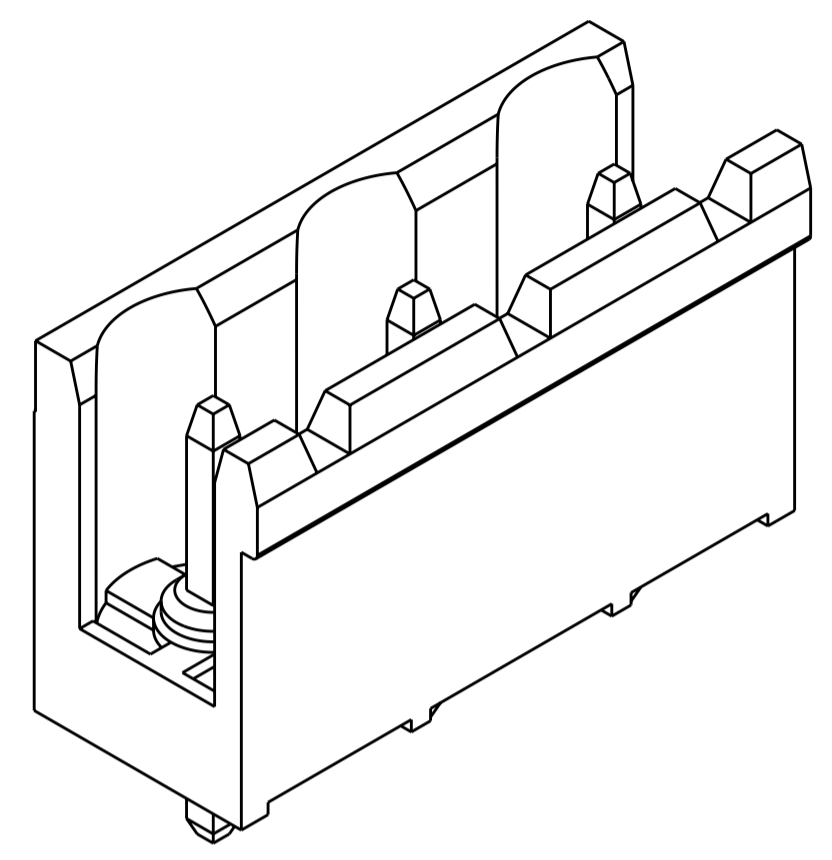
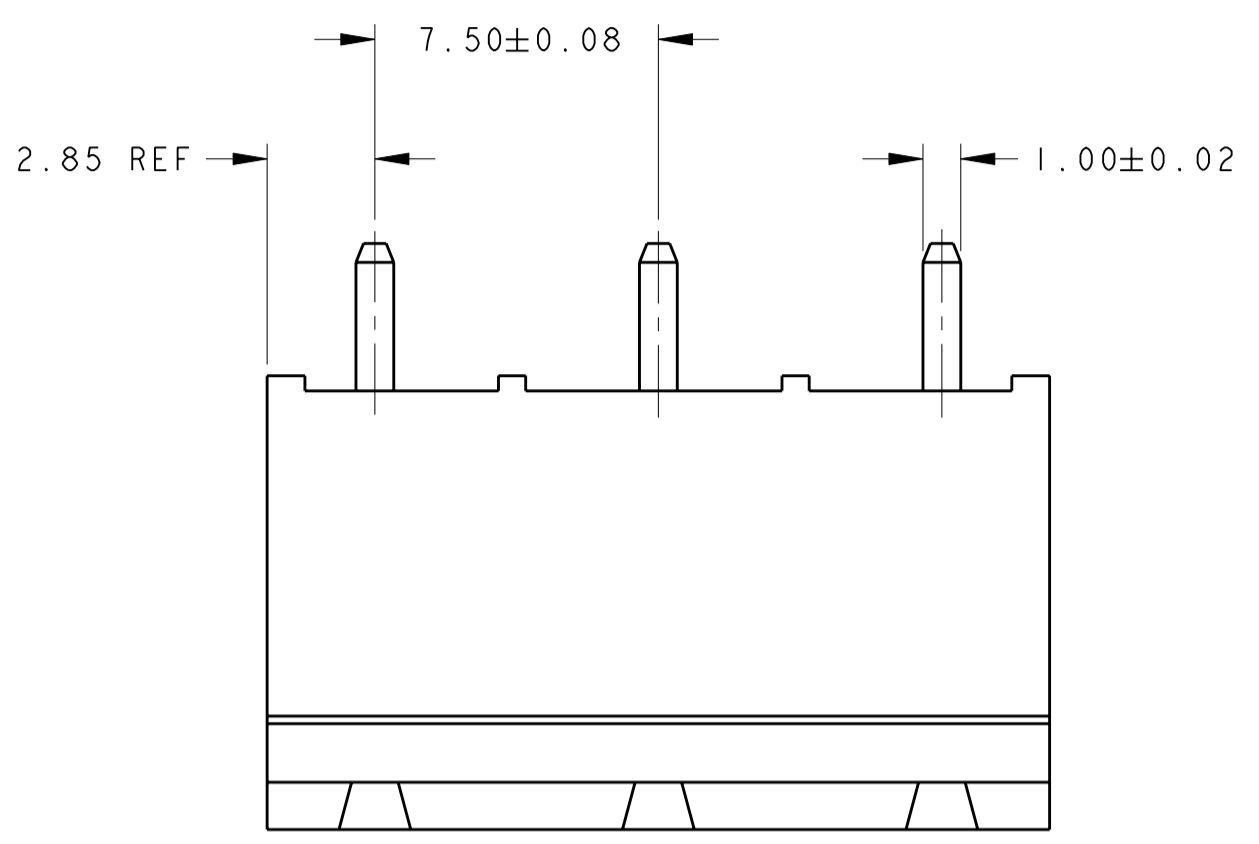


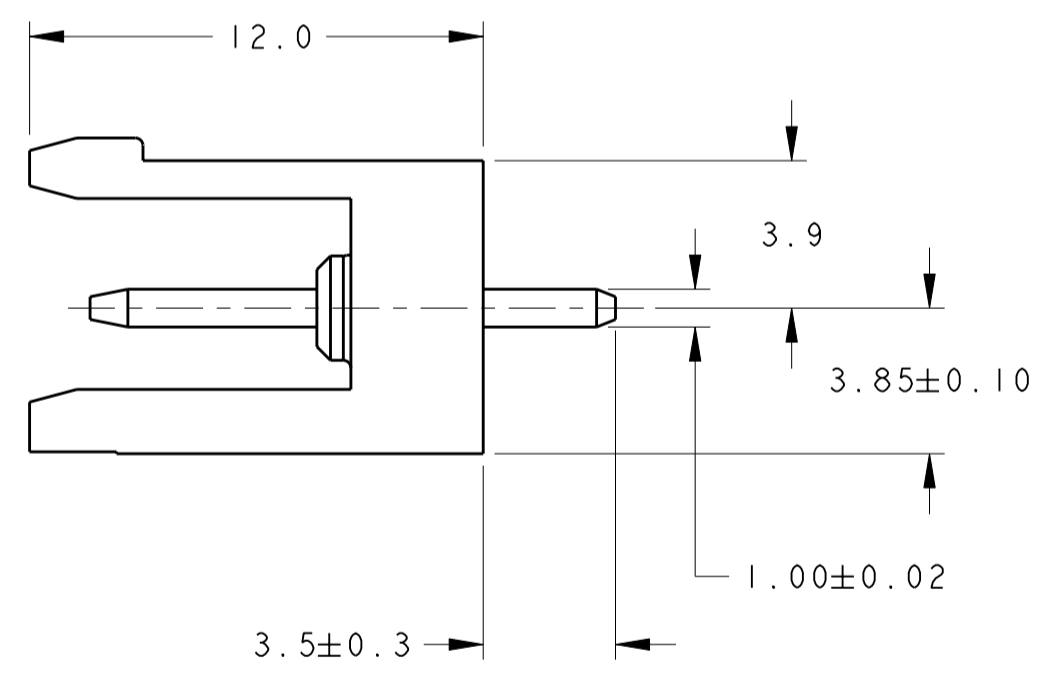
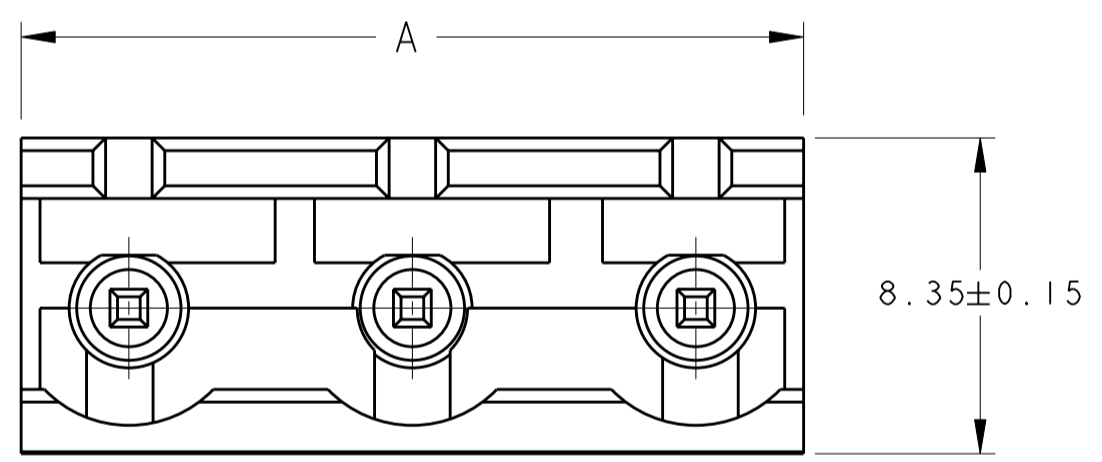
THIS DRAWING IS UNPUBLISHED. RELEASED FOR PUBLICATION 20  
 © COPYRIGHT 20 Tyco Electronics AMP GmbH ALL RIGHTS RESERVED.

LOC	DIST	REVISIONS			
P	LTR	DESCRIPTION	DATE	DWN	APVD
FT	0	01 REVISED PER ECO-12-007711	26APR2012	KH	MS

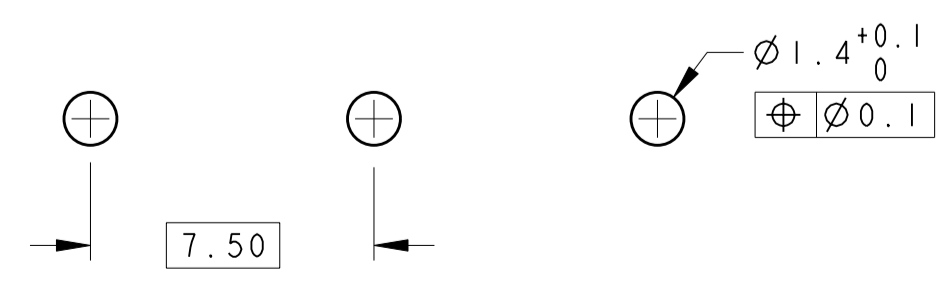


- ⚠ MATERIALS AND FINISH  
 HOUSING: HIGH TEMPERATURE POLYAMIDE, UL 94V-0 RATED,  
 COLOR: BLACK.  
 TERMINAL: COPPER ALLOY, TIN PLATED.
- SUITABLE FOR 1,6-2,4mm PC BOARD THICKNESS.
  - RECOGNIZED UNDER THE COMPONENT PROGRAM OF UNDERWRITERS LABORATORIES INC., FILE N° E60677.
  - IMQ CERTIFICATE WITH SURVEILLANCE IN CONFORMITY WITH IEC 998-1/998-2-1.

1776149-3 AS SHOWN



88.20	12	1-1776149-2
80.70	11	1-1776149-1
73.20	10	1-1776149-0
65.70	9	1776149-9
58.20	8	1776149-8
50.70	7	1776149-7
43.20	6	1776149-6
35.70	5	1776149-5
28.20	4	1776149-4
21.70	3	1776149-3
13.20	2	1776149-2
A	NO OF POSN	PART NUMBER



RECOMMENDED PC BOARD LAYOUT

THIS DRAWING IS A CONTROLLED DOCUMENT.

DIMENSIONS:	TOLERANCES UNLESS OTHERWISE SPECIFIED:	DWN S.WELDON 26JUL2005	TE Connectivity
mm	0 PLC ±-	CHK C.RICHARD 26JUL2005	
	1 PLC ±.3	APVD C.RICHARD 26JUL2005	
	2 PLC ±.25	PRODUCT SPEC 108-20166	
	3 PLC ±-	APPLICATION SPEC 114-20079	NAME: TERMINAL BLOCK HEADER ASSEMBLY, 180 DEGREE, OPEN ENDS, 7.50mm PITCH
	4 PLC ±-	WEIGHT -	SIZE: A2
MATERIAL	FINISH	CUSTOMER DRAWING	CAGE CODE: 00779
			DRAWING NO: 1776149
			RESTRICTED TO: -
			SCALE: 5:1
			SHEET 1 OF 1
			REV 01

## X-ON Electronics

Largest Supplier of Electrical and Electronic Components

*Click to view similar products for [Pluggable Terminal Blocks](#) category:*

*Click to view products by [TE Connectivity](#) manufacturer:*

Other Similar products are found below :

[57.510.0053](#) [MC 1.5/ 6-ST-3.5 GY AU](#) [ET02015000J0G](#) [734-104](#) [734-302](#) [8-141-P](#) [8426620000](#) [860505](#) [860516](#) [860810](#) [GBPACX-12](#)  
[93.731.4953.0](#) [PV05-5,08-K](#) [PVP03-3,50](#) [PVP04-3,50](#) [PVS02-5,00](#) [1-1986160-3](#) [1377680000](#) [1531000000](#) [1546228-5](#) [ELFH16150](#)  
[ELFP03110](#) [ELFP10210](#) [ELFT06250](#) [ELVP03100](#) [1700101](#) [1700410](#) [1700425](#) [1702246](#) [1705229](#) [1710175](#) [1714537](#) [1717806](#) [1719600](#)  
[1728941](#) [1734692](#) [1734795](#) [1736036](#) [1740194](#) [1740628](#) [1740990](#) [1746952](#) [1750207](#) [1752441](#) [1752865](#) [1754115](#) [1754144](#) [1756913](#)  
[1760051](#) [1760336](#)