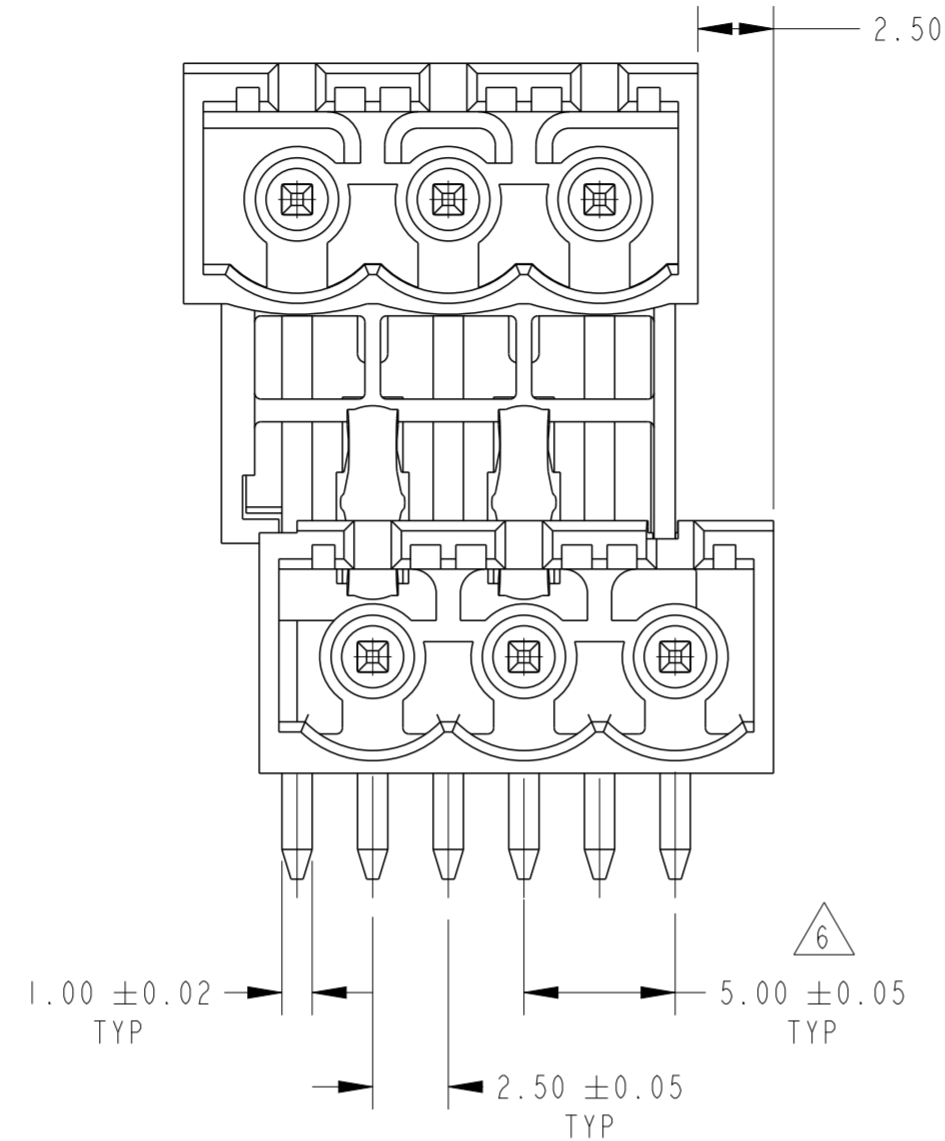
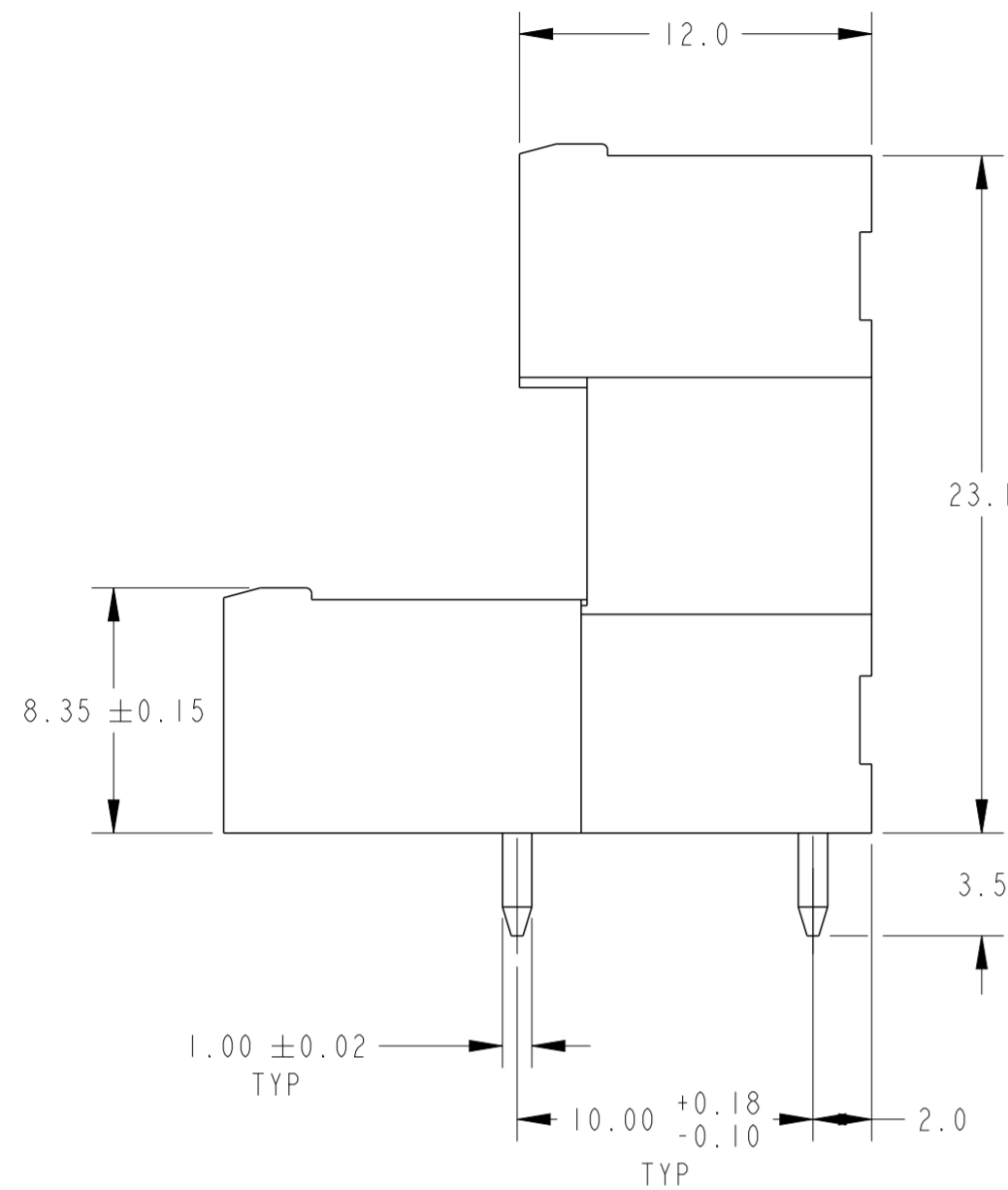


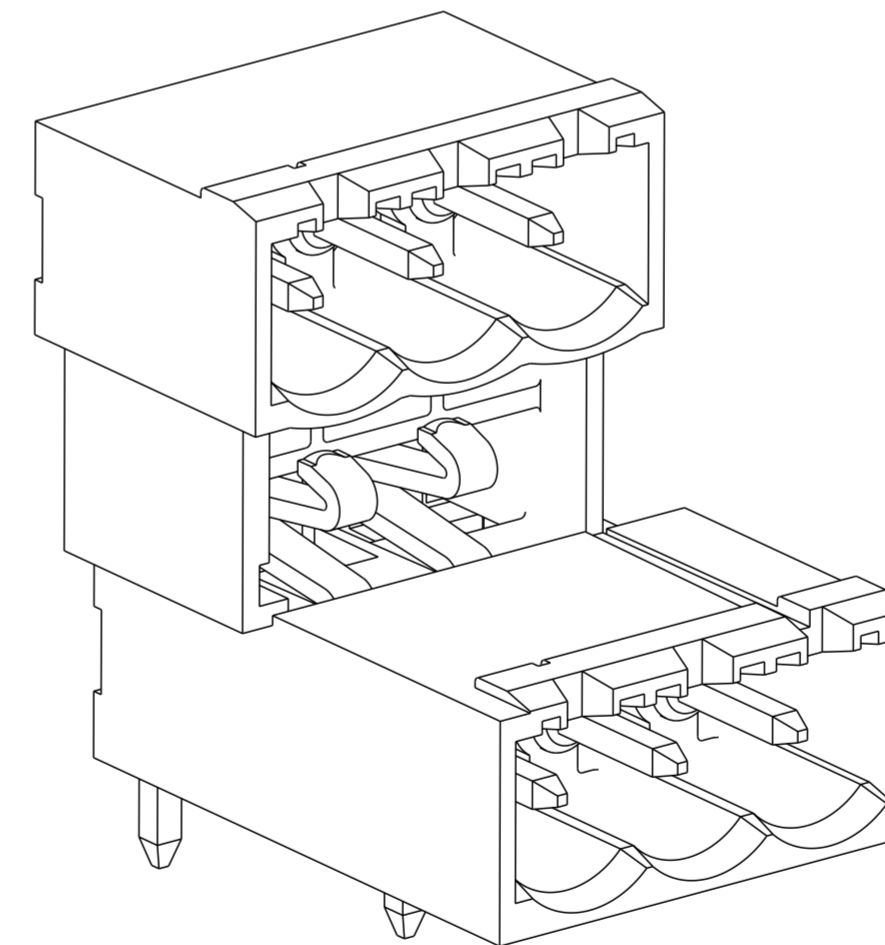
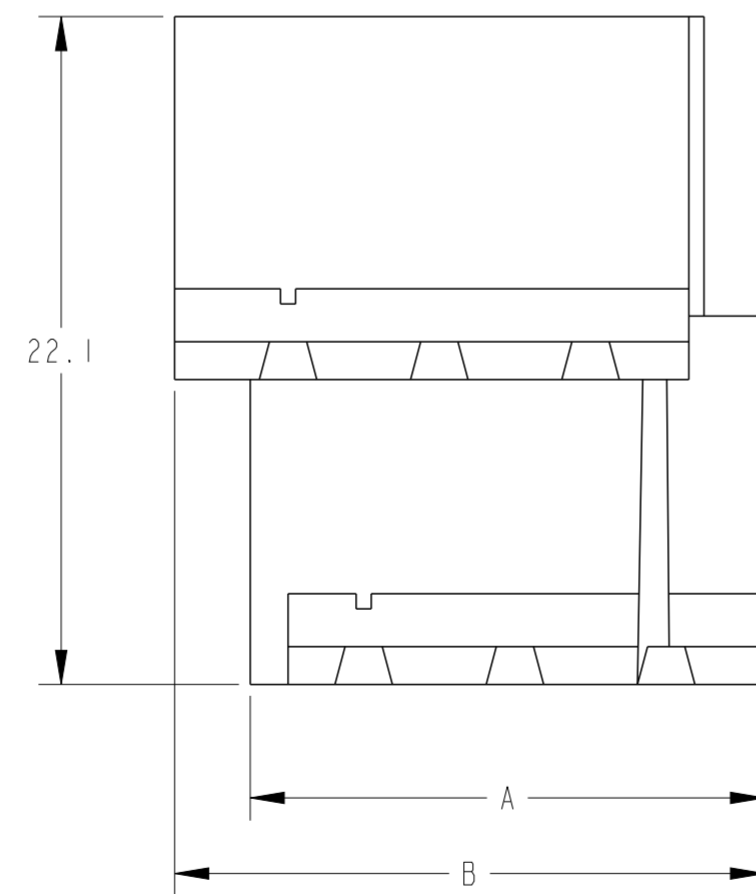
P	LTR	DESCRIPTION	DATE	DWN	APVD
R		DESIGN IMPROVEMENT IN NEW MOLD	09JUN2020	DV	PS



NOTES

- MATERIALS AND FINISH
HOUSING : HIGH TEMPERATURE POLYAMIDE, UL 94V-0 RATED, COLOR: BLACK.
TERMINAL : COPPER ALLOY, TIN PLATED.
- SUITABLE FOR 1.6-2.4mm PC BOARD THICKNESS.
- ELECTRICAL
RATED VOLTAGE : 300 V
RATED CURRENT : 12 A
CONTACT RESISTANCE : < 15 mΩ
INSULATION RESISTANCE: > 1000 MΩ (500V DC)
- OPERATING TEMPERATURE RANGE: -40°C TO +110°C
- P/Ns FROM 1776166-4 TO 1776166-8 ARE OBTAINED BY ASSEMBLING 1776166-2 AND 1776166-3 TO ACHIEVE THE DESIRED NUMBER OF POSITIONS.

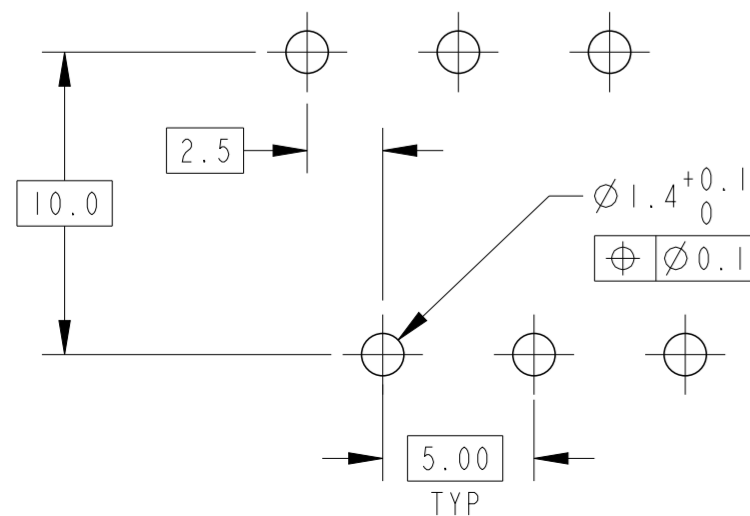
△ NON CUMULATIVE TOLERANCE



1776166-3 AS SHOWN

44.50	42.00	8	1776166-8
39.50	37.00	7	1776166-7
34.50	32.00	6	1776166-6
29.50	27.00	5	1776166-5
24.50	22.00	4	1776166-4
19.50	17.00	3	1776166-3
14.50	12.00	2	1776166-2
B	A	NO OF POS	PART NUMBER

RECOMMENDED PC BOARD LAYOUT



THIS DRAWING IS A CONTROLLED DOCUMENT.		DWN S. WELDON 19JUL2005	TE Connectivity	
DIMENSIONS: mm		CHK C. RICHARD 19JUL2005		
TOLERANCES UNLESS OTHERWISE SPECIFIED:		APVD C. RICHARD 19JUL2005	NAME	
0 PLC ±	1 PLC ±0.3	PRODUCT SPEC	TERMINAL BLOCK HEADER ASSEMBLY, MULTIPLE, 90 DEGREE, CLOSED ENDS, 5.00mm PITCH	
2 PLC ±0.25	3 PLC ±	APPLICATION SPEC	SIZE	CAGE CODE
4 PLC ±	ANGLES ±2°	114-20079	A2	00779
MATERIAL SEE NOTES	FINISH SEE NOTES	WEIGHT	DRAWING NO	RESTRICTED TO
		CUSTOMER DRAWING	C-1776166	
SCALE 4:1			SHEET 1 OF 1	REV R

X-ON Electronics

Largest Supplier of Electrical and Electronic Components

Click to view similar products for [Pluggable Terminal Blocks](#) category:

Click to view products by [TE Connectivity](#) manufacturer:

Other Similar products are found below :

[57.510.0053](#) [MC 1.5/ 6-ST-3.5 GY AU](#) [734-104](#) [734-302](#) [8-141-P](#) [8426620000](#) [860505](#) [860516](#) [860810](#) [GBPACX-12](#) [93.731.4953.0](#) [PV05-5,08-K](#) [PVP02-5,00](#) [PVP03-3,50](#) [PVP04-3,50](#) [PVS02-5,00](#) [1-1986160-3](#) [1377680000](#) [1531000000](#) [1546228-5](#) [ELFH16150](#) [ELFP03110](#) [ELFP10210](#) [ELFT06250](#) [ELVP03100](#) [1700101](#) [1700410](#) [1700425](#) [1702246](#) [1705229](#) [1710175](#) [1714537](#) [1717806](#) [1719600](#) [1728941](#) [1734692](#) [1734795](#) [1736036](#) [1740194](#) [1740291](#) [1740628](#) [1740990](#) [1746952](#) [1750207](#) [1752441](#) [1752865](#) [1754115](#) [1754144](#) [1756913](#) [1760051](#)