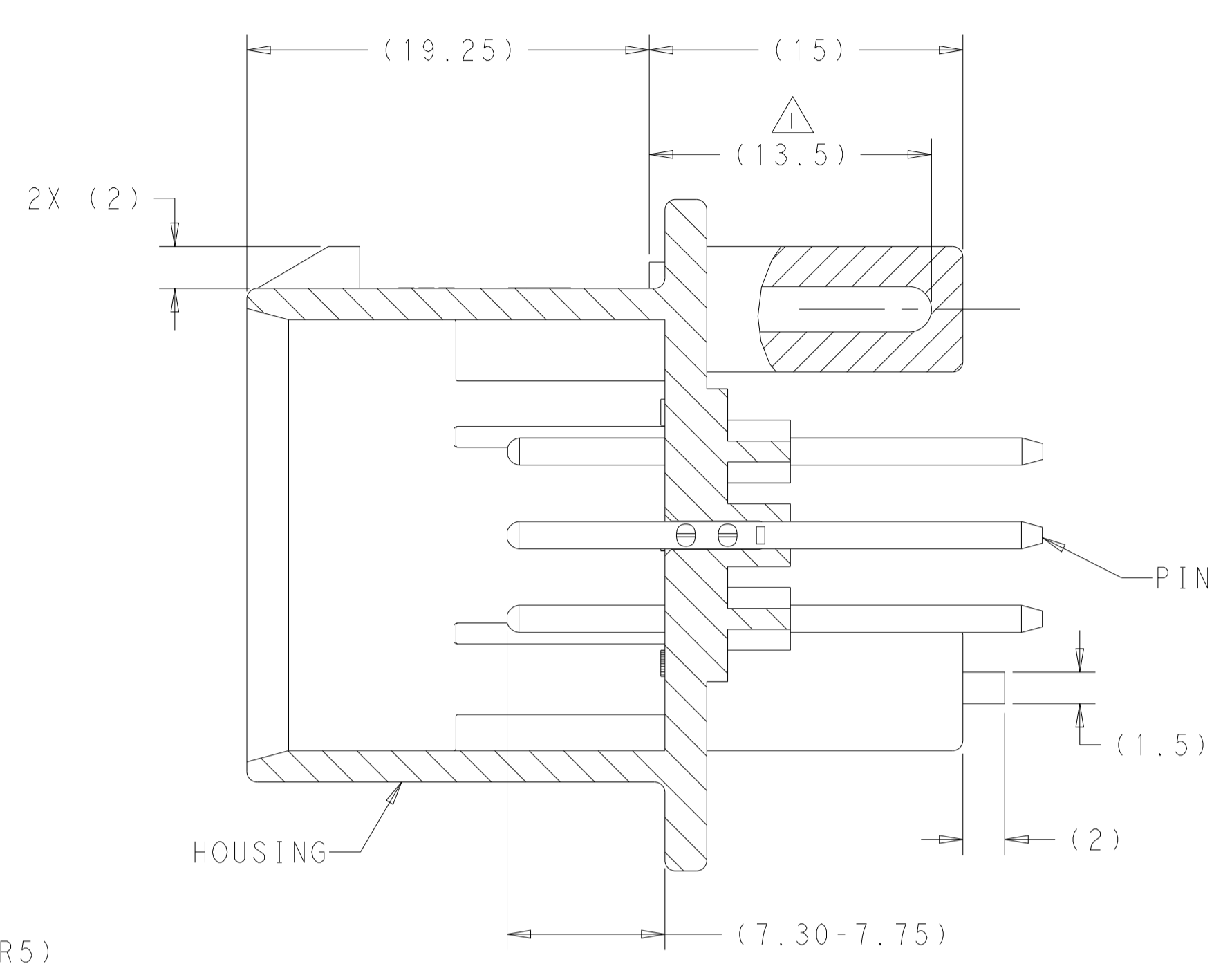
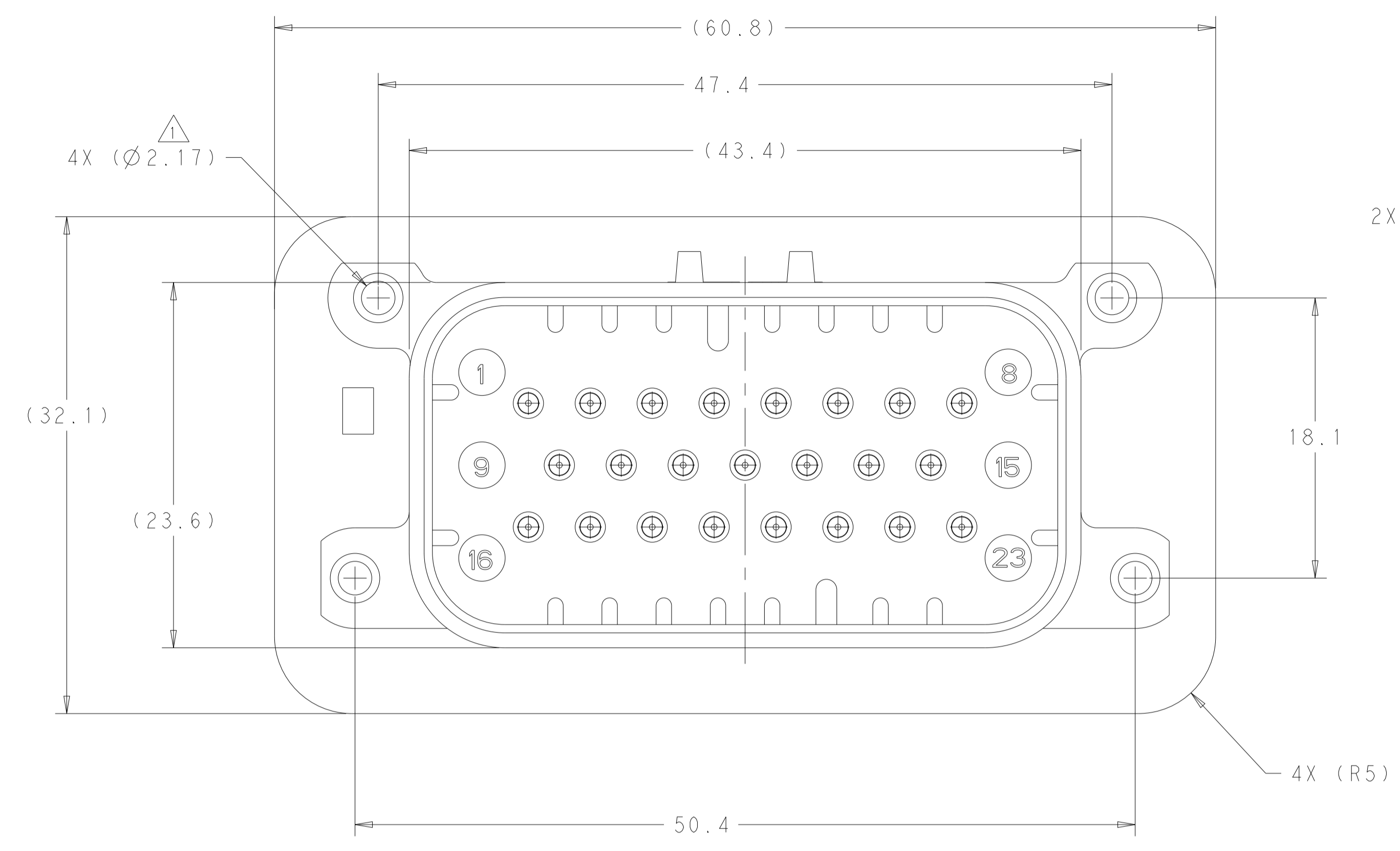
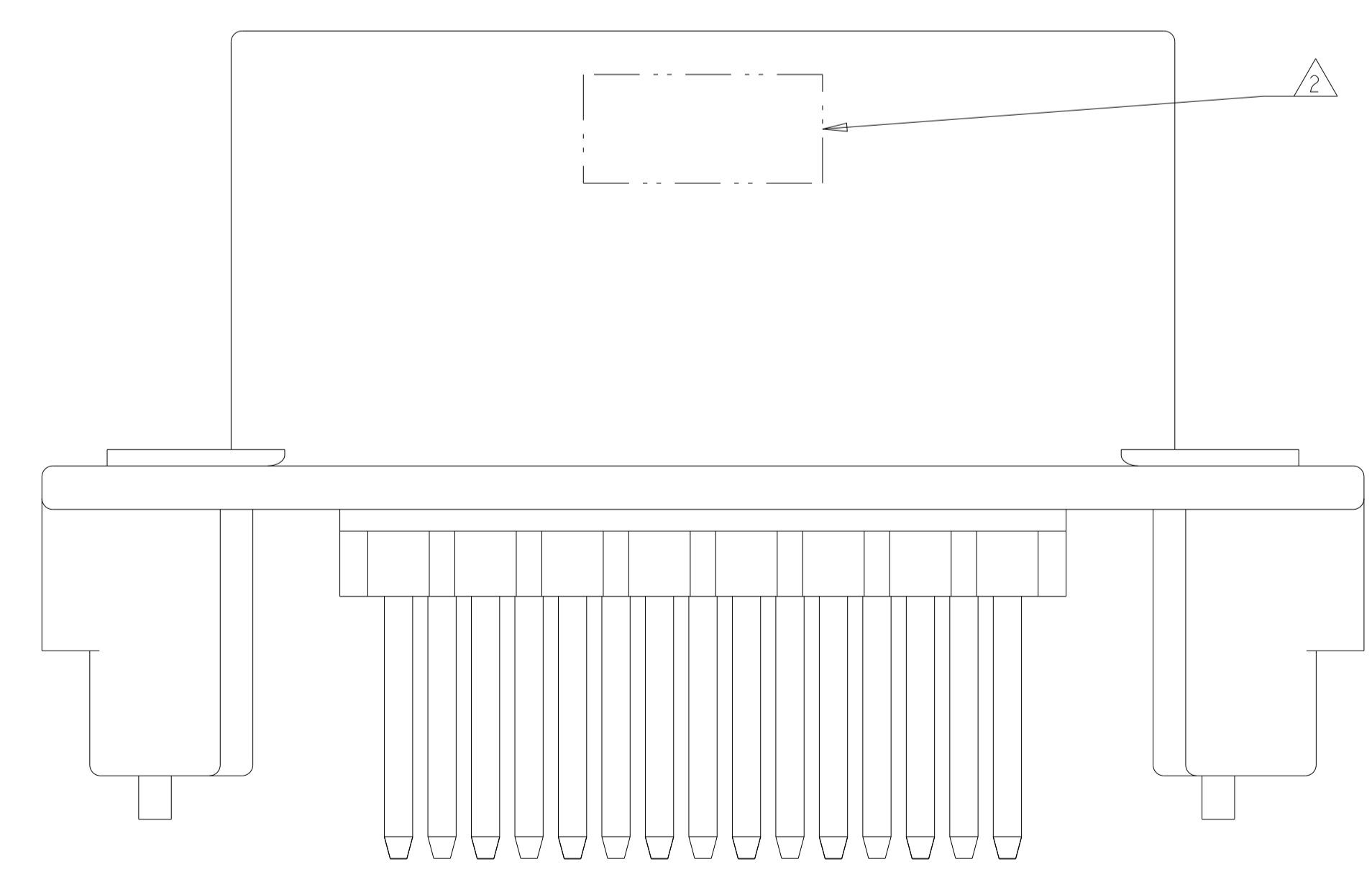


REVISIONS				
P	LTN	DESCRIPTION	DATE	APVD
D15		REVISED PER ECO-20-004256	25MAR2020	JM DS
D16		REVISED PER PCN E-20-016603	24NOV2020	PN DS
E		REVISED PER ECN-21-123056	08NOV2021	DK CB



SECTION A-A

- 1 SUGGESTED MOUNTING SCREW SIZE IS  $\varnothing 2.50-3.00\text{mm}$  [ $\varnothing 0.099 - 0.118$  INCH] SELF TAPPING THREAD FORMING SCREW, SUCH AS DELTA PT, TO BE DRIVEN AT 0.6-0.8 N-m. THE CUSTOMER SHOULD TEST THE SCREW SIZE AND TYPE IN ORDER TO VERIFY THEIR SELECTION FOR THEIR APPLICATION
- 2 DATE CODE IN THIS LOCATION USING 5 DIGIT CODE. FIRST 2 DIGITS = YEAR, SECOND 2 DIGITS = WEEK, LAST DIGIT = DAY.
- 3 MATERIALS: HEADER HOUSING - GLASS FILLED PBT; PINS - TIN OR GOLD PLATED BRASS
- 4 HOUSING COLORS ARE MECHANICALLY KEYED TO MATE ONLY WITH IDENTICALLY COLORED PLUG ASSEMBLIES.
- 5. HEADER MATES TO PLUG ASSEMBLY 770680 WHICH USES REELED TERMINAL 770520 OR LOOSE PIECE TERMINAL 770854



776200-1 & 1-776200-1 SHOWN

HEADER COLOR	PLATING	PART NUMBER
BLUE	GOLD	1-776200-5
GRAY	GOLD	1-776200-4
NATURAL	GOLD	1-776200-2
BLACK	GOLD	1-776200-1
BLUE	TIN	776200-5
GRAY	TIN	776200-4
NATURAL	TIN	776200-2
BLACK	TIN	776200-1

THIS DRAWING IS A CONTROLLED DOCUMENT.

OWN: D. STRAUSSER 04FEB2010  
 CHK: D. STRAUSSER 22MAR2010  
 APVD: D. STRAUSSER 27APR2010

TE Connectivity

NAME: HEADER ASSEMBLY, 23 POSITION, VERTICAL, AMPSEAL

PRODUCT SPEC: 108-1329  
 APPLICATION SPEC: 114-16016

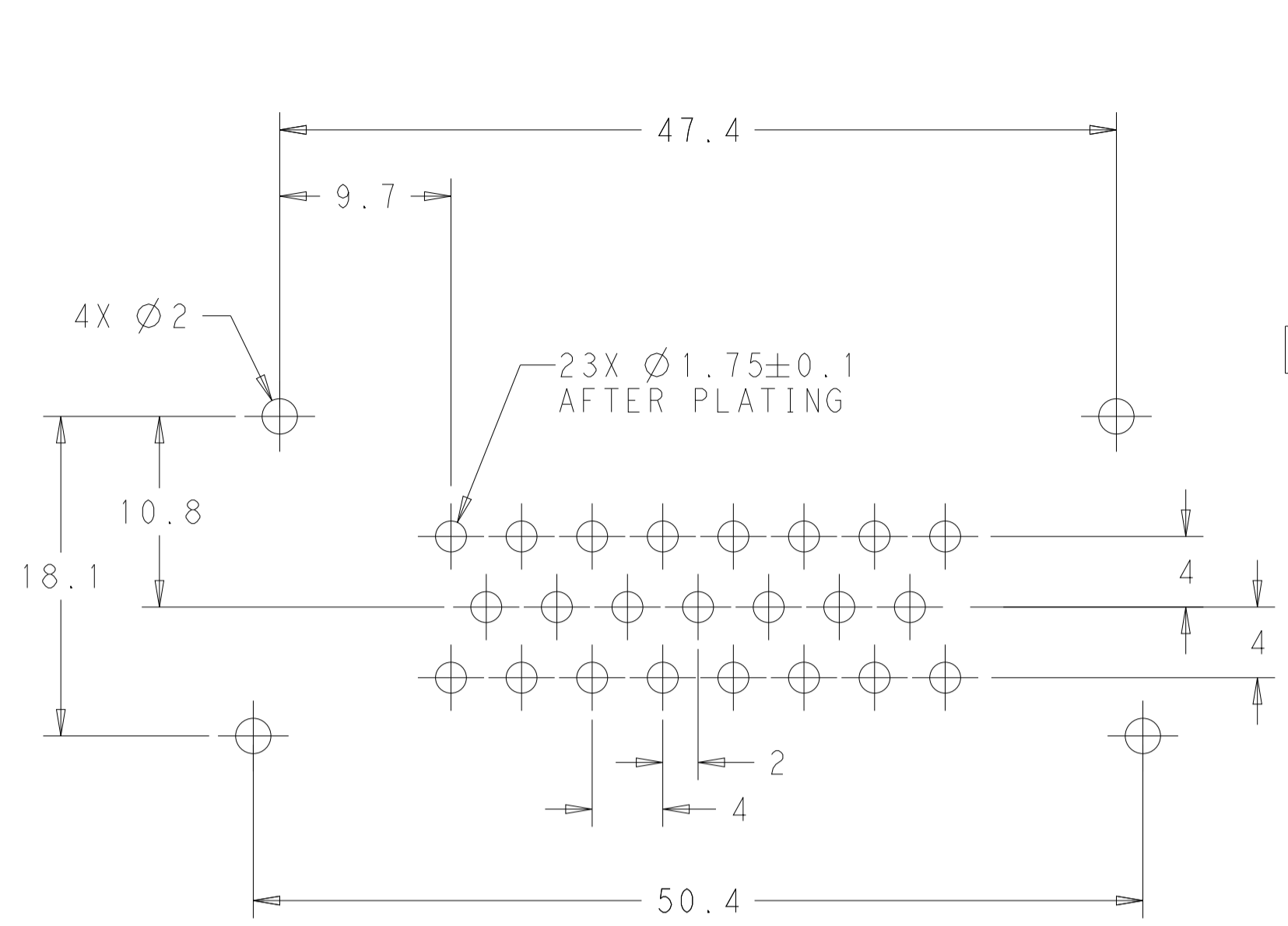
SIZE: A1 CAGE CODE: 00779 DRAWING NO: 776200

WEIGHT: 22.48g

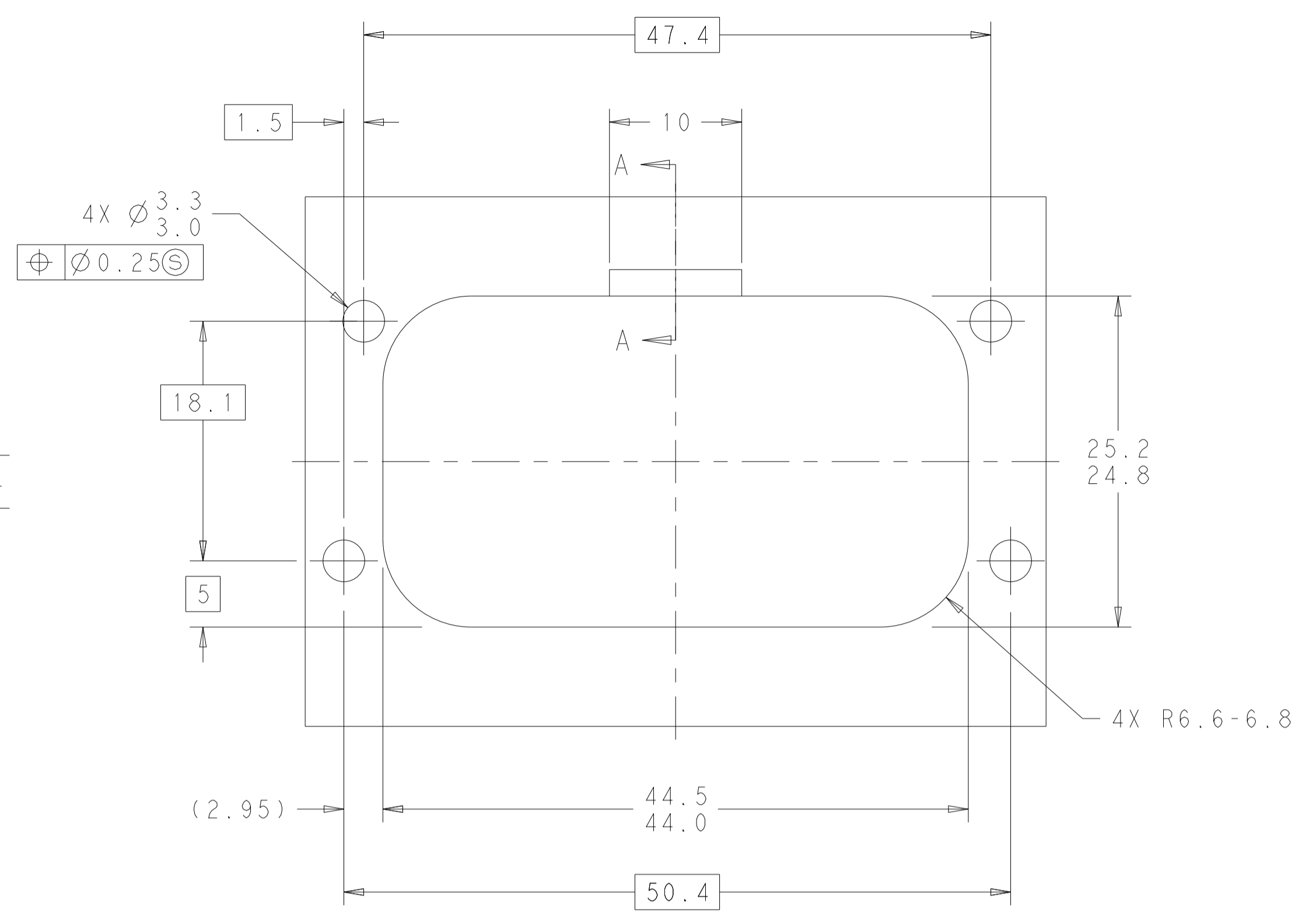
MATERIAL: 3 FINISH: 3

CUSTOMER DRAWING SCALE: 4:1 SHEET 1 OF 2 REV E

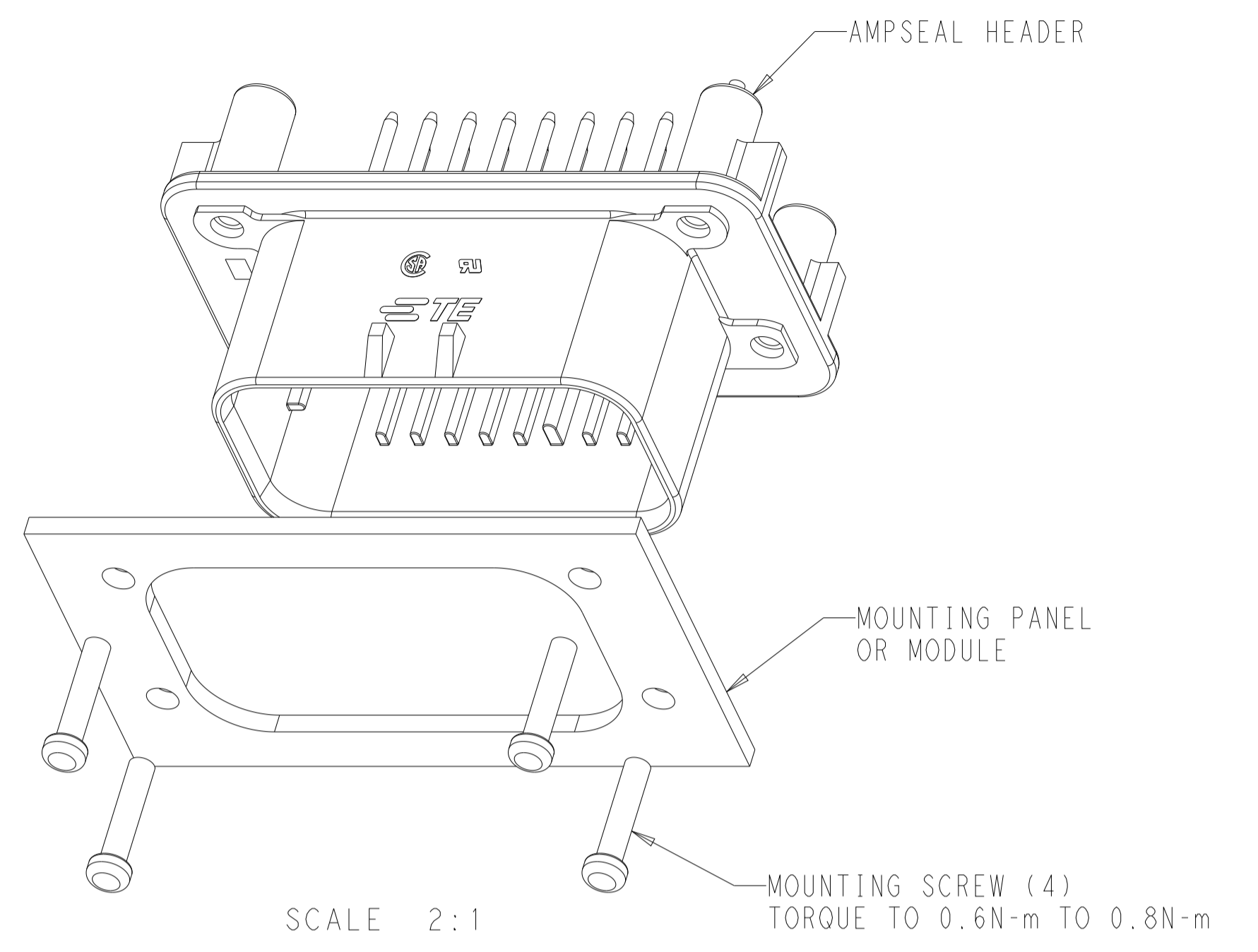
REVISIONS				
P	LTN	DESCRIPTION	DATE	APVD
-	-	SEE SHEET 1	-	-



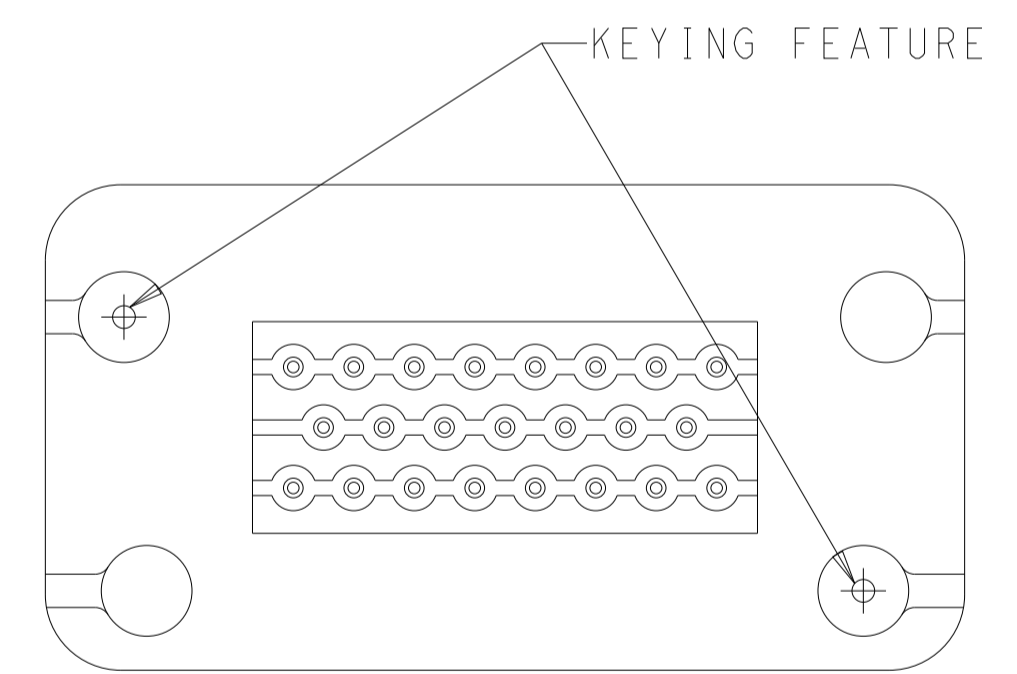
RECOMMENDED P.C. BOARD LAYOUT  
 FOR 1.57 THICK P.C. BOARD



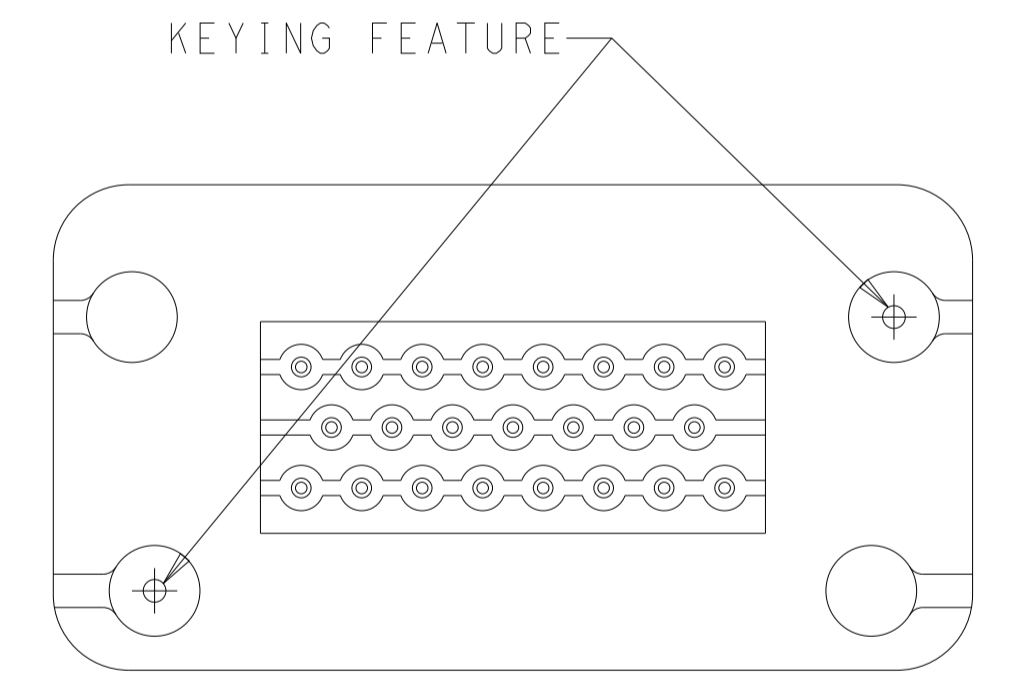
RECOMMENDED MOUNTING HOLE LAYOUT  
 FOR 5.0 MAX THICK PANEL



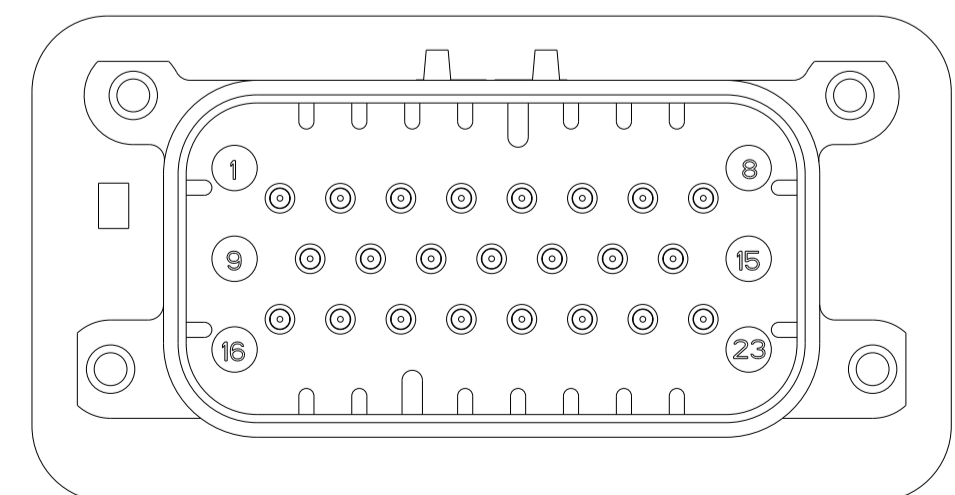
SCALE 2:1



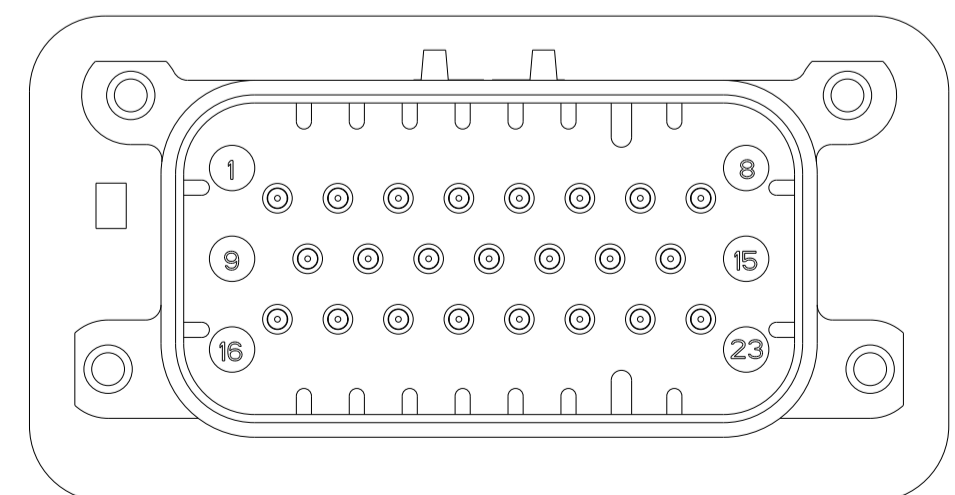
KEYING FOR 776200-1 AND 776200-5  
 SCALE 2:1



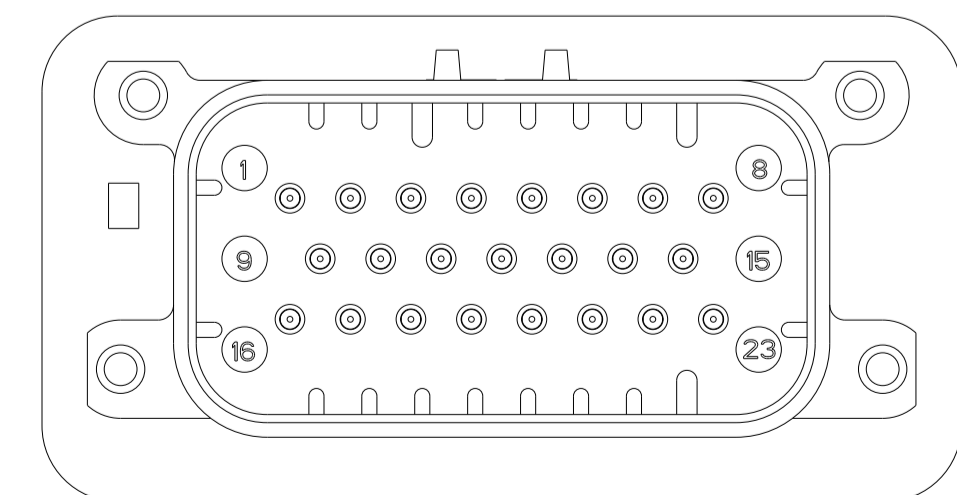
KEYING FOR 776200-2 AND 776200-4  
 SCALE 2:1



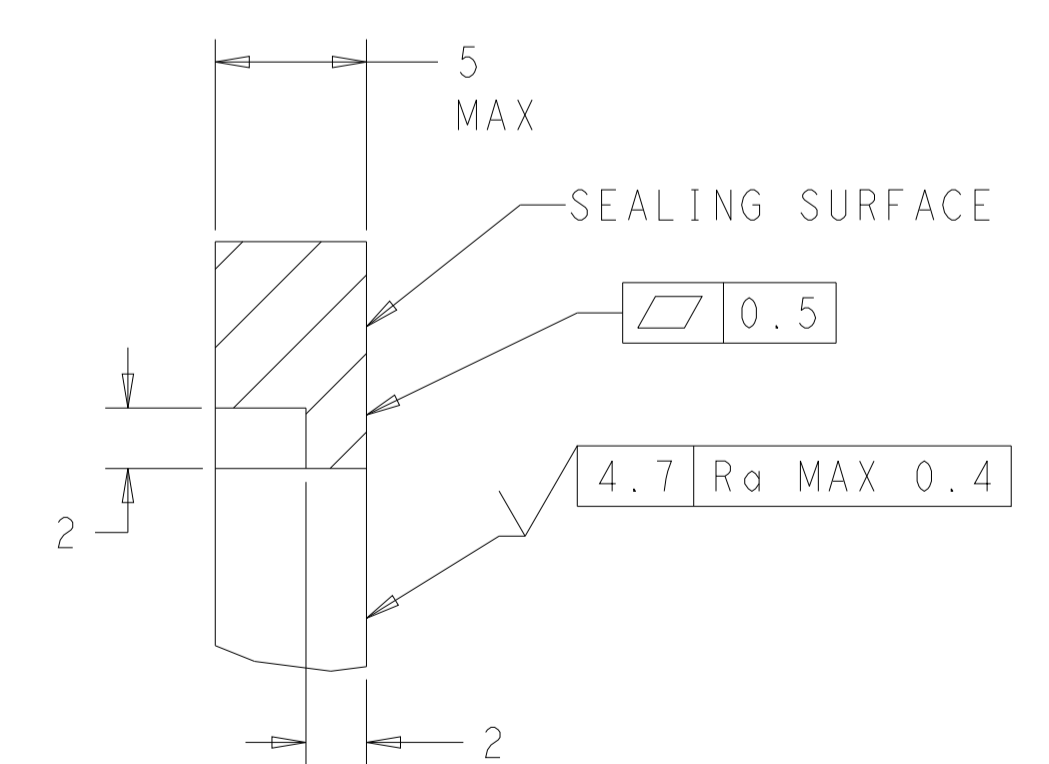
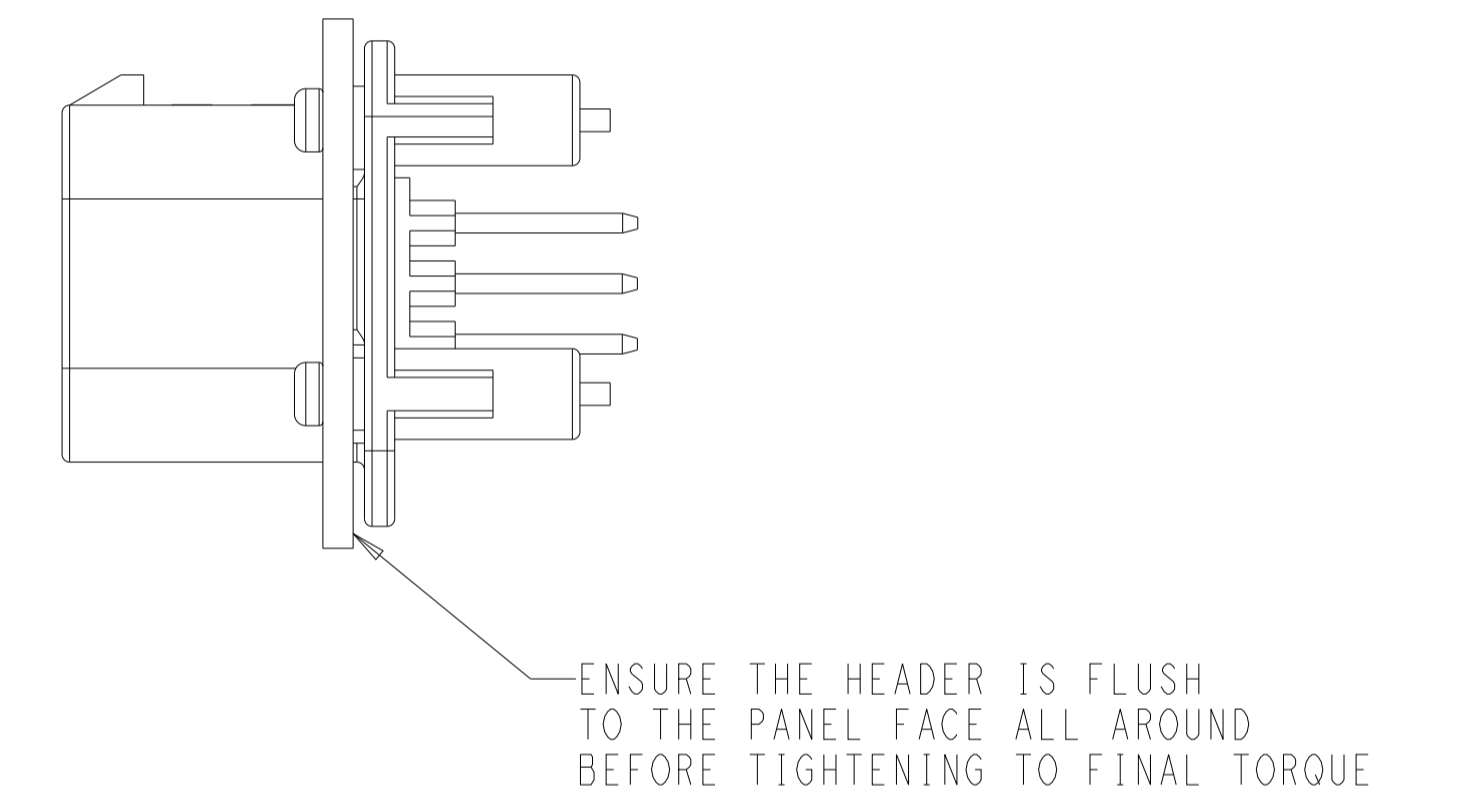
776200-2 & 1-776200-2  
 KEY LOCATION  
 SCALE 2:1



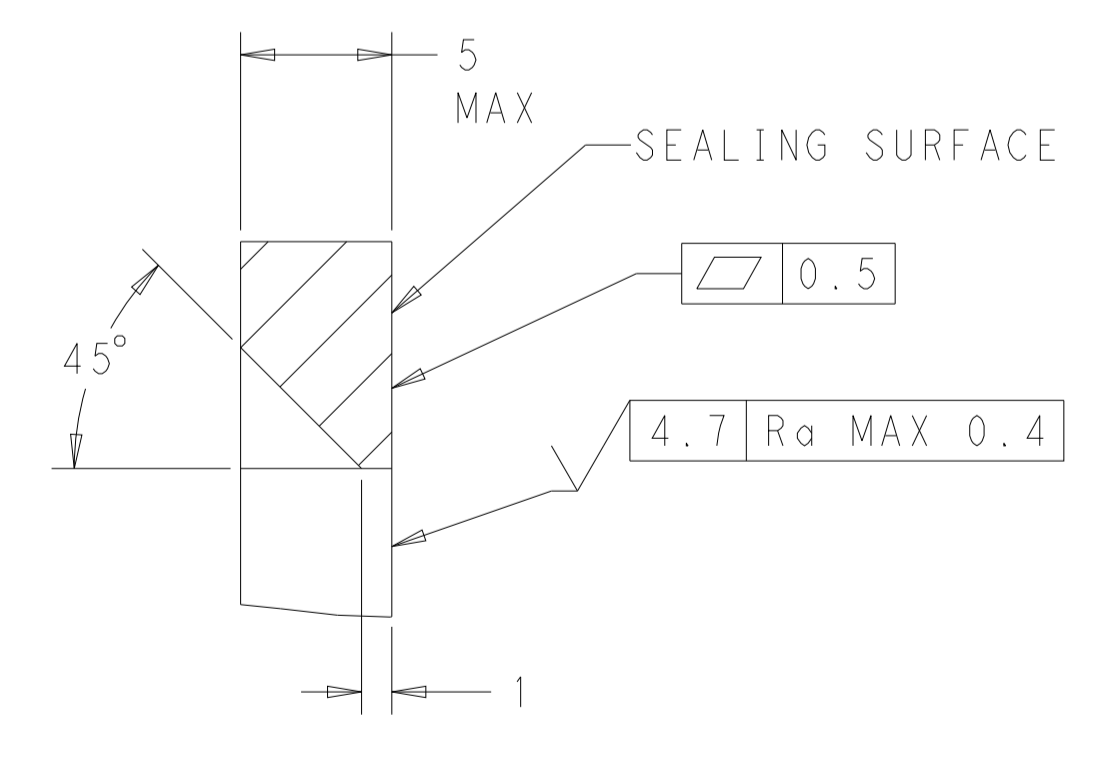
776200-4 & 1-776200-4  
 KEY LOCATION  
 SCALE 2:1



776200-5 & 1-776200-5  
 KEY LOCATION  
 SCALE 2:1



SECTION A-A  
 OPTIONAL CONSTRUCTION IF PANEL  
 THICKNESS IS GREATER THAN 2.0  
 SCALE 4:1



SECTION A-A  
 OPTIONAL CONSTRUCTION IF PANEL  
 THICKNESS IS GREATER THAN 2.0  
 SCALE 4:1

THIS DRAWING IS A CONTROLLED DOCUMENT.		OWN: D. STRAUSSER 04FEB2010	TE Connectivity	
DIMENSIONS: mm		CHK: D. STRAUSSER 22MAR2010	NAME: HEADER ASSEMBLY, 23 POSITION, VERTICAL, AMPSEAL	
TOLERANCES UNLESS OTHERWISE SPECIFIED:		APVD: D. STRAUSSER 27APR2010	SIZE: CAGE CODE: DRAWING NO: 114-16016	
0 PLC	±0.2	PRODUCT SPEC: 108-1329	RESTRICTED TO: -	
1 PLC	±0.2	APPLICATION SPEC: 114-16016	SCALE: 4:1 SHEET 2 OF 2 REV E	
2 PLC	±0.2	WEIGHT: 22.48g	CUSTOMER DRAWING	
3 PLC	±0.2	A100779C=776200		
4 PLC	±0.2	CUSTOMER DRAWING		
ANGLES	±0.2	SCALE: 4:1 SHEET 2 OF 2 REV E		
FINISH	±0.2	CUSTOMER DRAWING		

## X-ON Electronics

Largest Supplier of Electrical and Electronic Components

*Click to view similar products for [Automotive Connectors](#) category:*

*Click to view products by [TE Connectivity](#) manufacturer:*

Other Similar products are found below :

[003-018-000](#) [60993906-B](#) [M902-2131](#) [M902-2161](#) [M902-2344](#) [72.330.1035.1](#) [73.353.4028.0](#) [F166900](#) [F358300-B](#) [F407400](#) [776880-1](#)  
[827153-1](#) [8N1515-32-24P](#) [9-1326729-8](#) [925474-1](#) [928905-1](#) [964562-4](#) [968782-1](#) [98891-1012](#) [12004475-L](#) [12020308](#) [12041318-B](#)  
[12052466](#) [12064869](#) [12015909](#) [1-21030-1](#) [12041254](#) [12041318](#) [12047946-B](#) [12110546-B](#) [12131792](#) [12084688](#) [12092346](#) [HD34-18-14PT](#)  
[HD46-24-23SN-059](#) [HDB36-24-16PN-059](#) [HDP26-24-9SE-L015](#) [12185280](#) [12185550](#) [12336-12](#) [12191172-B](#) [12S](#) [13545280](#) [13577943](#)  
[13681974](#) [13737722-B](#) [13830674](#) [13832576](#) [13849772](#) [13542772](#)