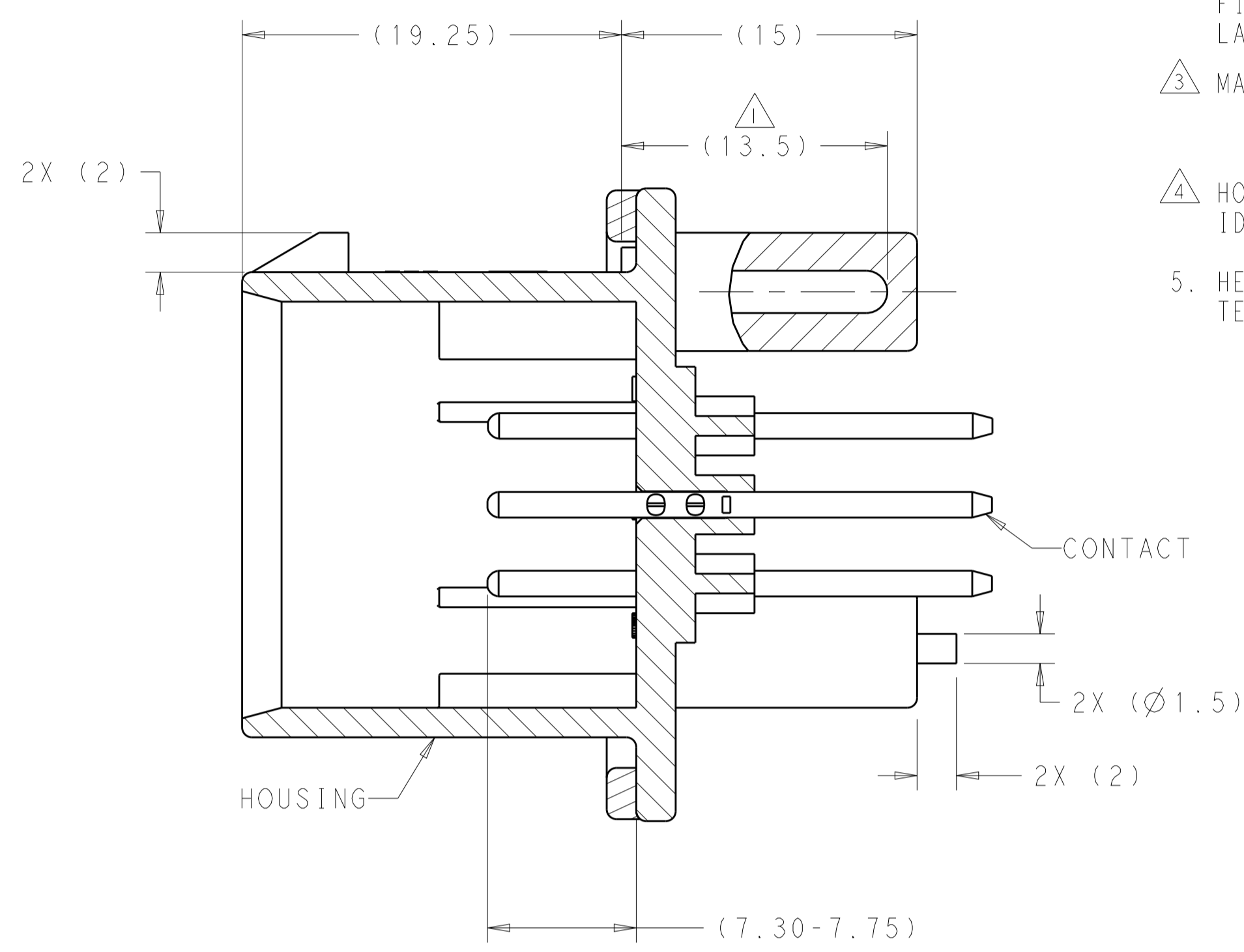
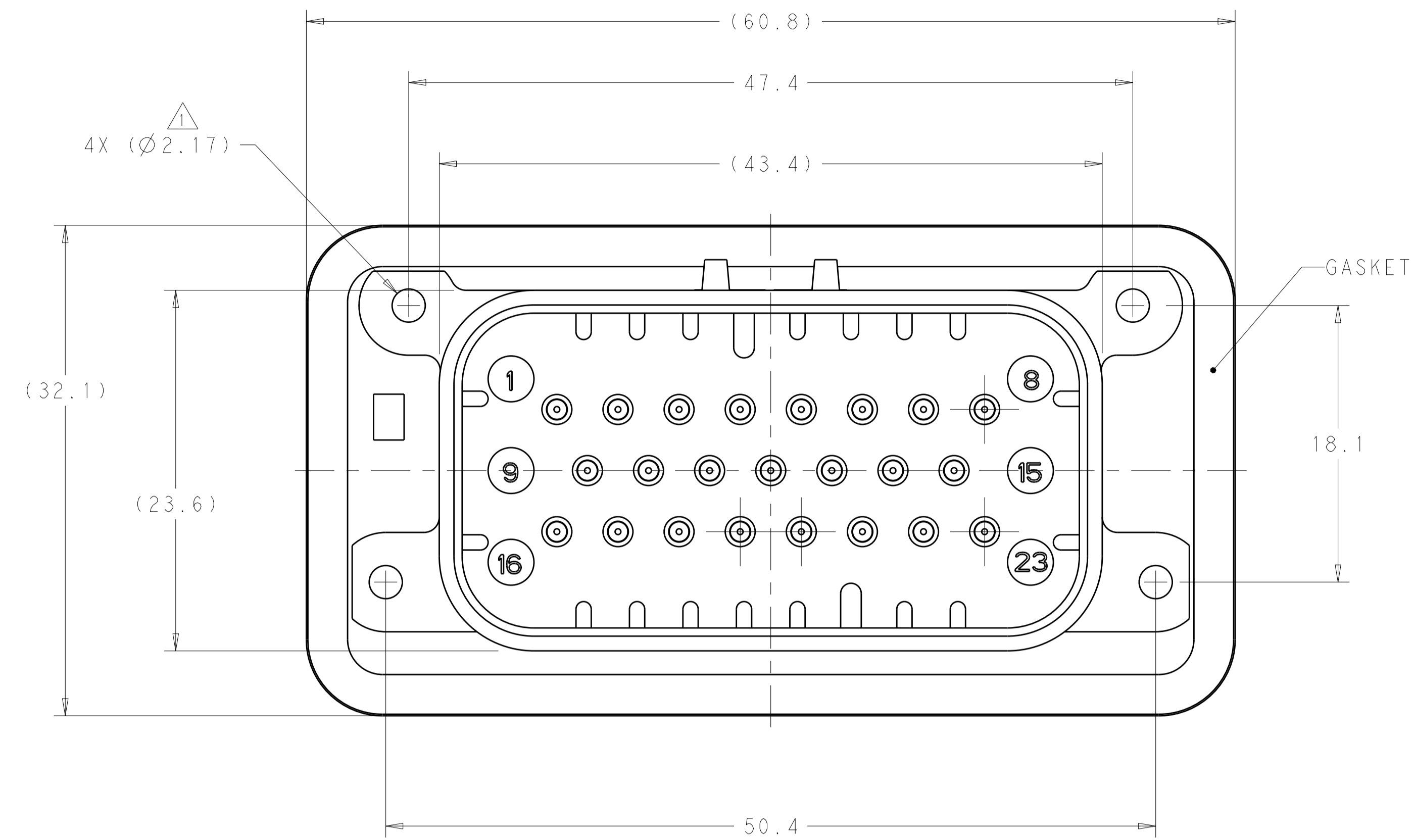
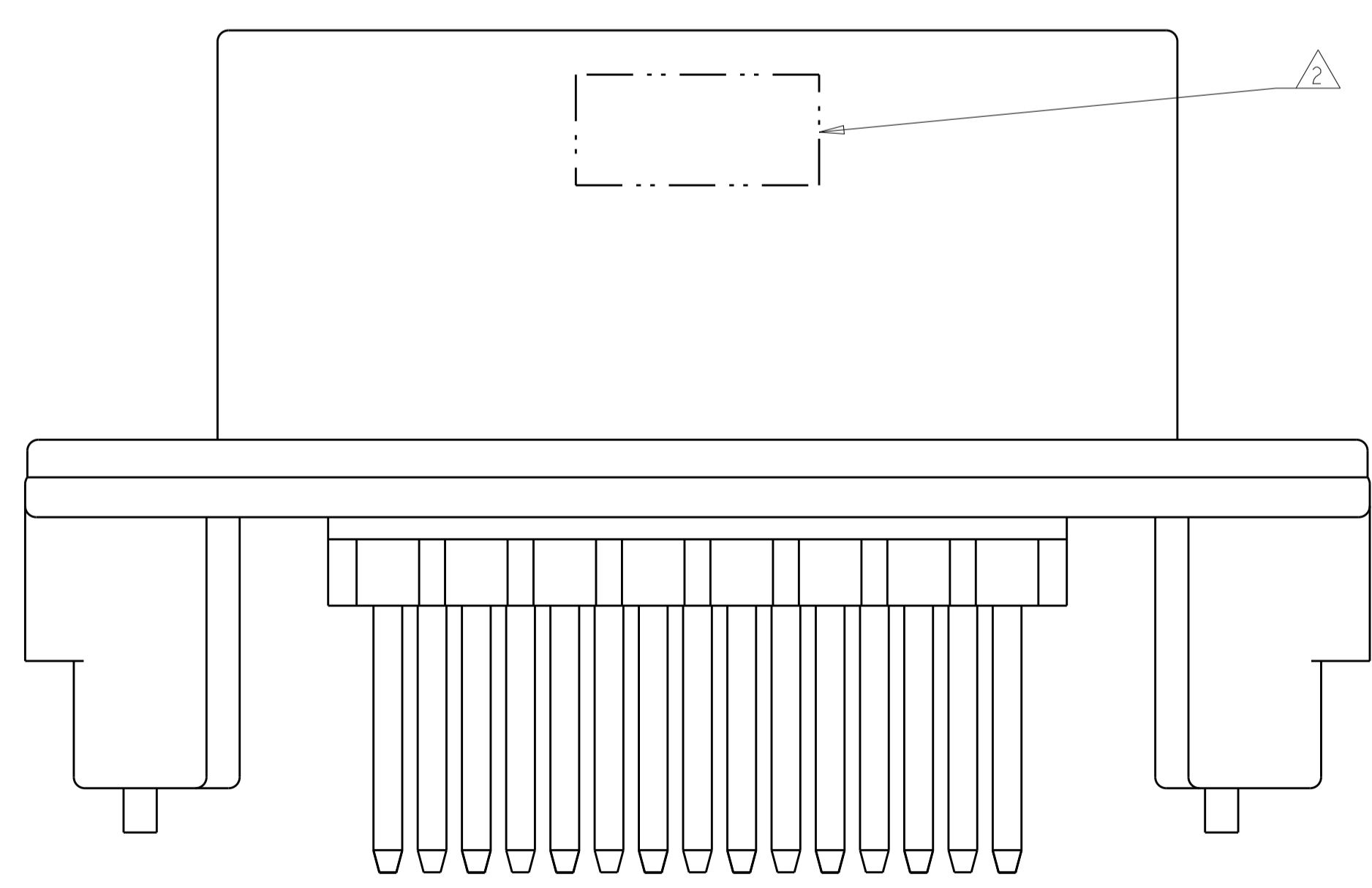


REVISIONS					
P.	LTN	DESCRIPTION	DATE	DWN	APVD
C15		REVISED PER ECO-20-004256	25MAR2020	JM	DS
C16		REVISED PER PCN E-20-016603	20NOV2020	PN	DS
-	-	-	-	-	-
-	-	-	-	-	-



SECTION A-A

- 1. SUGGESTED MOUNTING SCREW SIZE IS  $\varnothing 2.50-3.00\text{mm}$  ( $\varnothing 0.099 - 0.118$  INCH) SELF TAPPING THREAD FORMING SCREW, SUCH AS DELTA PT, TO BE DRIVEN AT 0.6-0.8 N-m. THE CUSTOMER SHOULD TEST THE SCREW SIZE AND TYPE IN ORDER TO VERIFY THEIR SELECTION FOR THEIR APPLICATION.
- 2. DATE CODE IN THIS LOCATION USING 5 DIGIT CODE. FIRST 2 DIGITS = YEAR, SECOND 2 DIGITS = WEEK, LAST DIGIT = DAY.
- 3. MATERIALS: HEADER HOUSING - GLASS FILLED PBT  
PINS - TIN OR GOLD PLATED BRASS  
GASKET - SILICONE
- 4. HOUSING COLORS ARE MECHANICALLY KEYED TO MATE ONLY WITH IDENTICALLY COLORED PLUG ASSEMBLIES.
- 5. HEADER MATES TO PLUG ASSEMBLY 770680 WHICH USES REELED TERMINAL 770520 OR LOOSE PIECE TERMINAL 770854

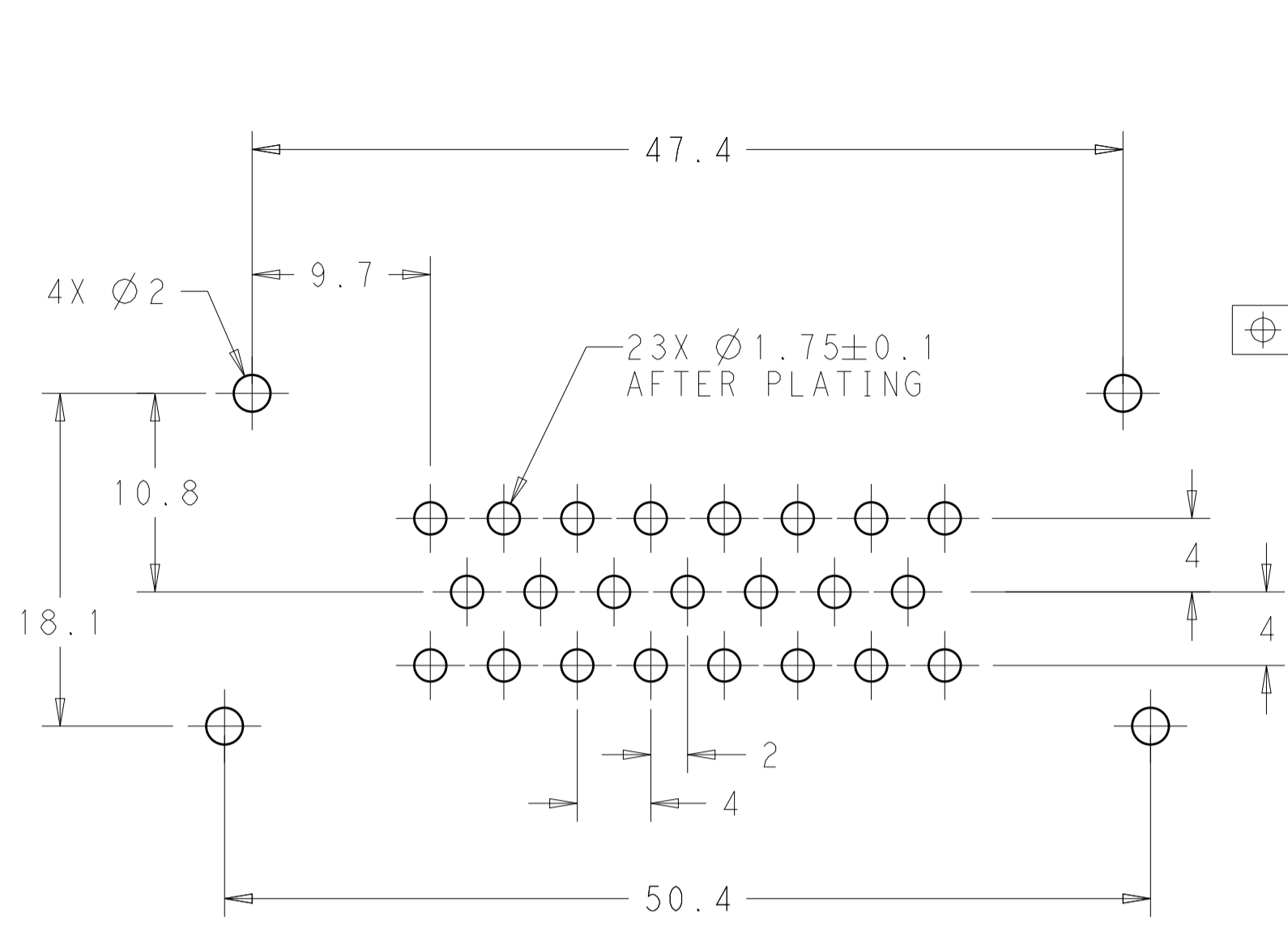


776228-1 & 1-776228-1 SHOWN

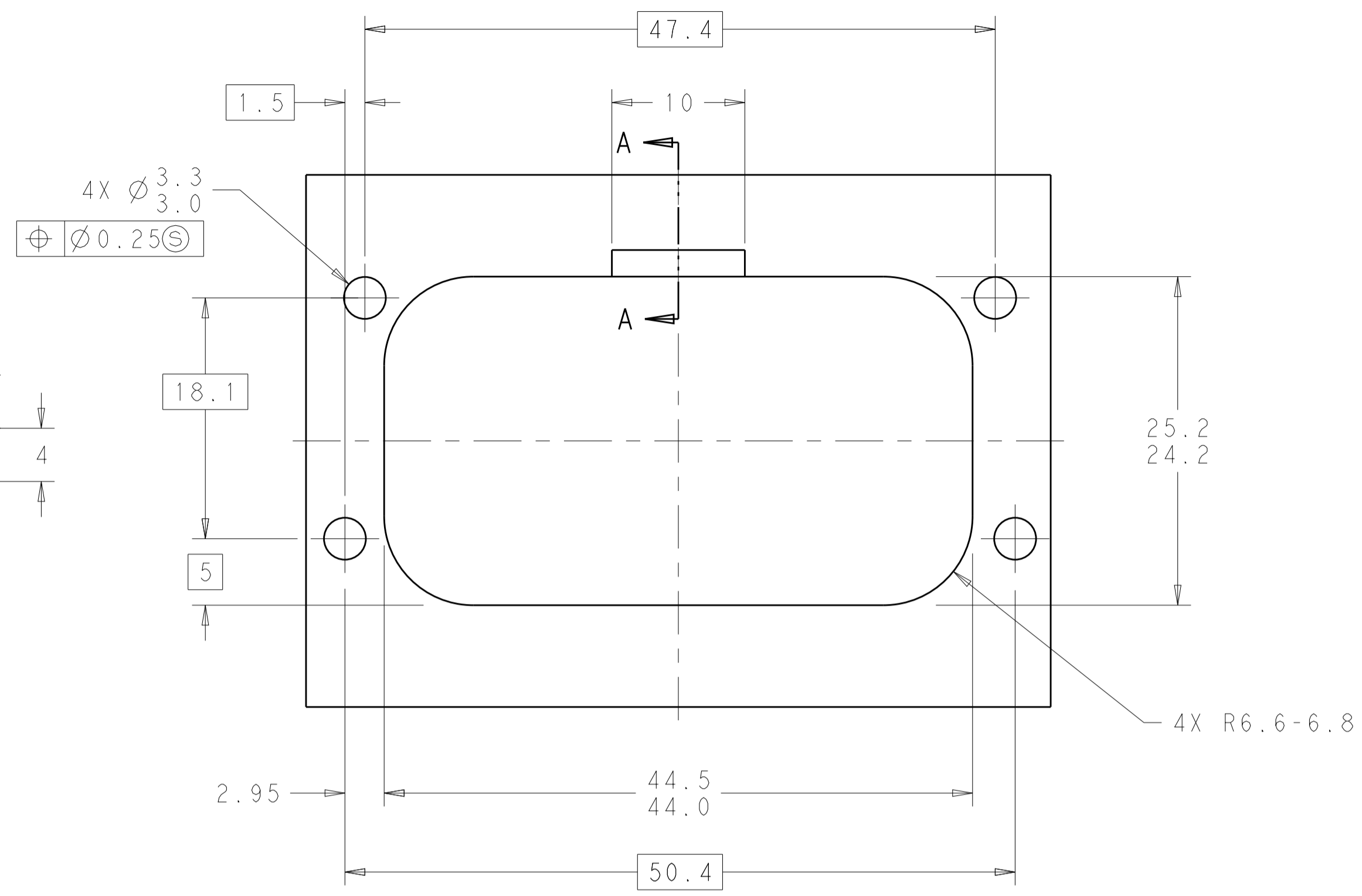
HEADER COLOR	PLATING	PART NUMBER
BLUE	GOLD	1-776228-5
GRAY	GOLD	1-776228-4
NATURAL	GOLD	1-776228-2
BLACK	GOLD	1-776228-1
BLUE	TIN	776228-5
GRAY	TIN	776228-4
NATURAL	TIN	776228-2
BLACK	TIN	776228-1

THIS DRAWING IS A CONTROLLED DOCUMENT.		DWN: D. STRAUSSER 05MAR2020	TE Connectivity	
DIMENSIONS: mm		CHK: D. STRAUSSER 22MAR2020	NAME: ASSEMBLY, HEADER, 23 POSITION, VERTICAL, AMPSEAL WITH FLANGE SEAL	
TOLERANCES UNLESS OTHERWISE SPECIFIED:		APVD: D. STRAUSSER 27APR2020	PRODUCT SPEC: 108-1329	
0 PLC ±0.2		APPLICATION SPEC: 114-16016		
1 PLC ±0.1		WEIGHT: 22.68g		
2 PLC ±0.1		CUSTOMER DRAWING		
3 PLC ±0.1		SCALE: 4:1		
ANGLES ±0.1		SHEET 1 OF 2		
FINISH		REV: C16		

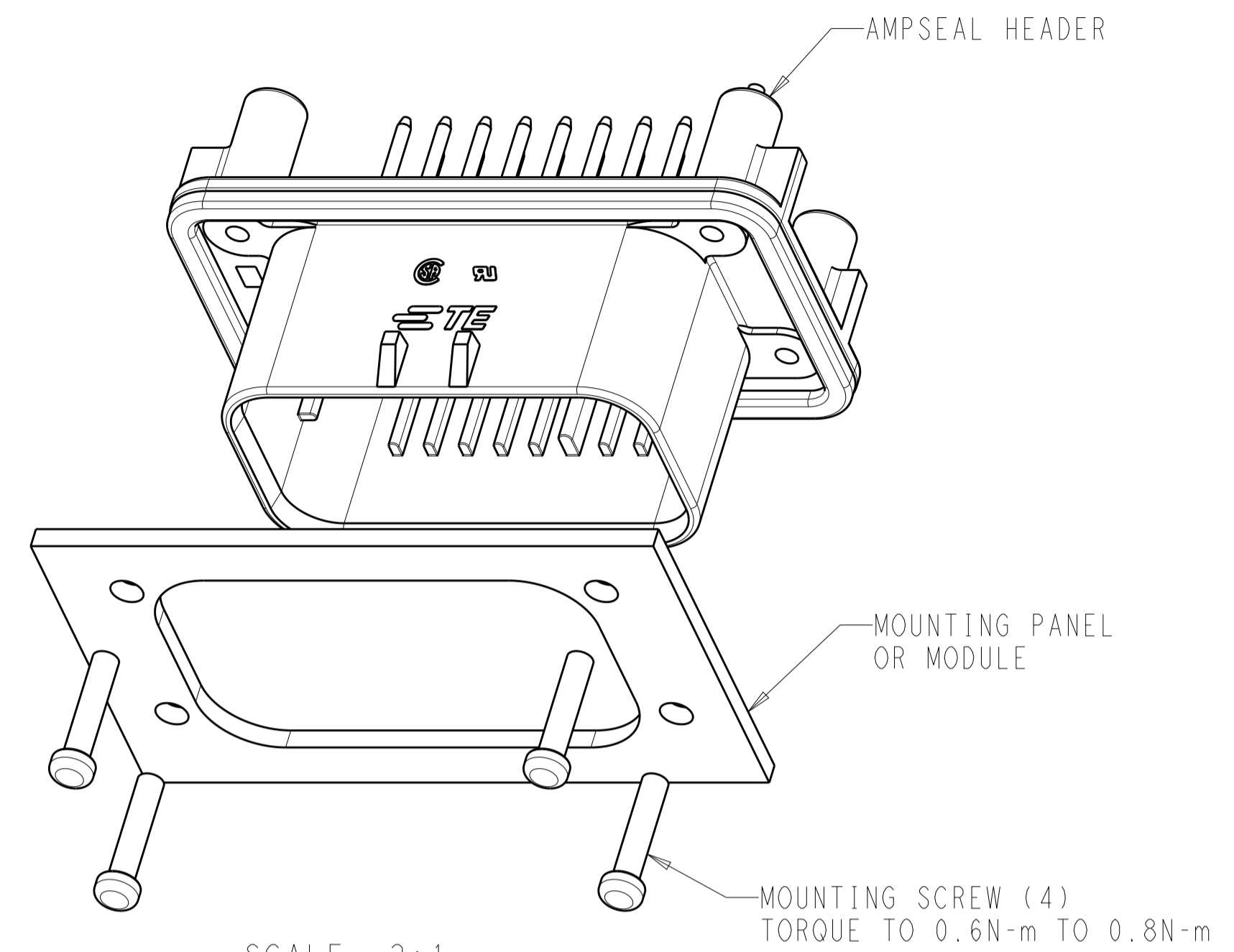
REVISIONS				
P.	LTN.	DESCRIPTION	DATE	APPV.
-	-	SEE SHEET 1	-	-



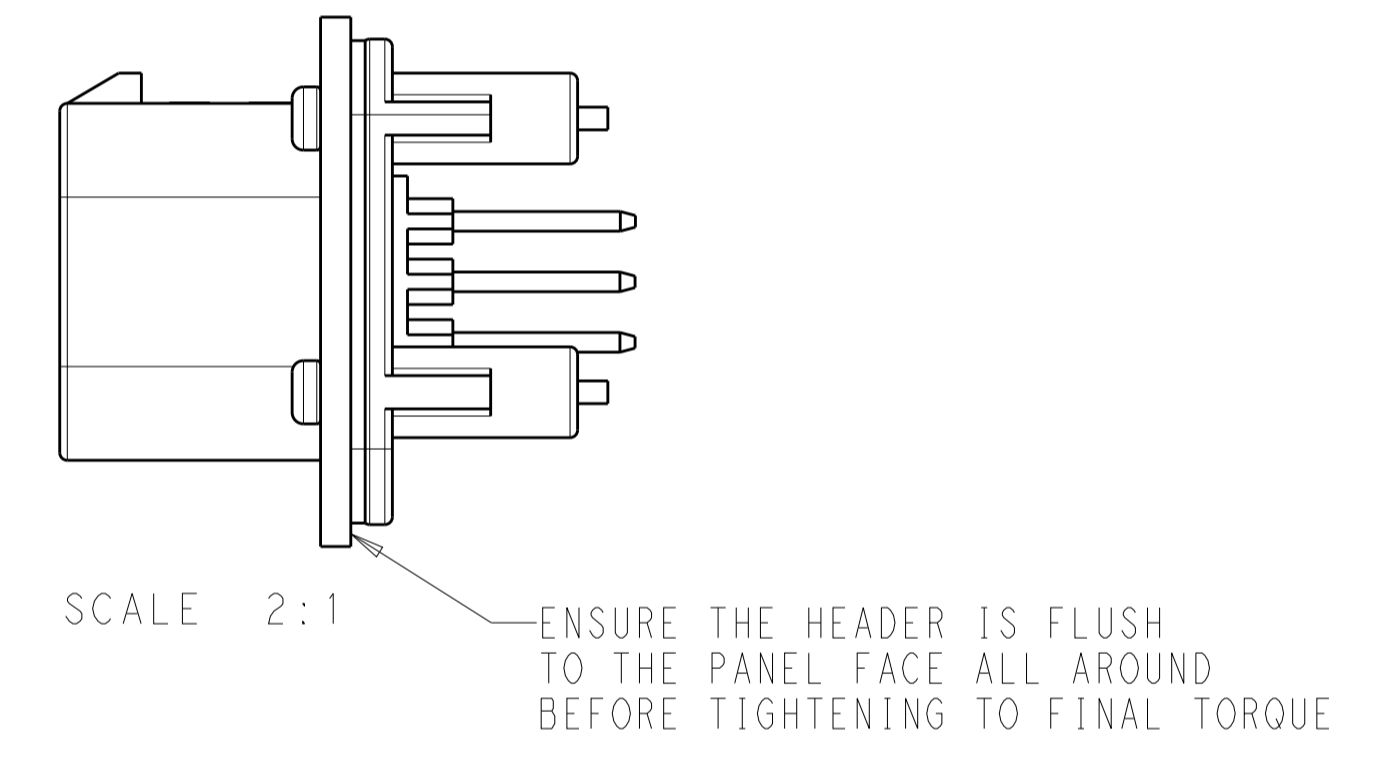
RECOMMENDED P.C. BOARD LAYOUT FOR 1.57 THICK P.C. BOARD



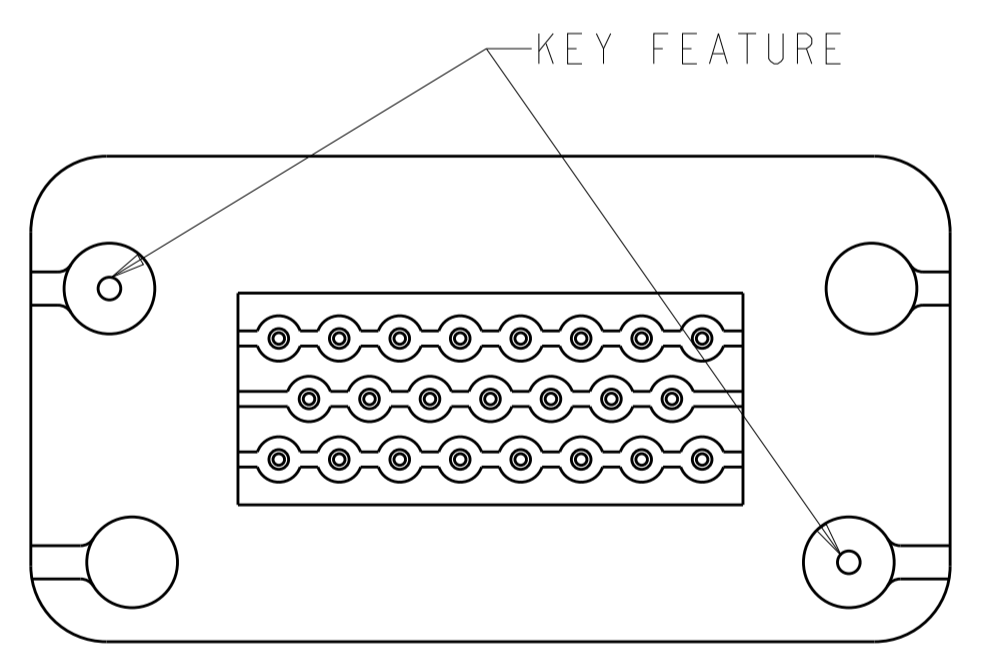
RECOMMENDED MOUNTING HOLE LAYOUT FOR 5.0 MAX THICK PANEL



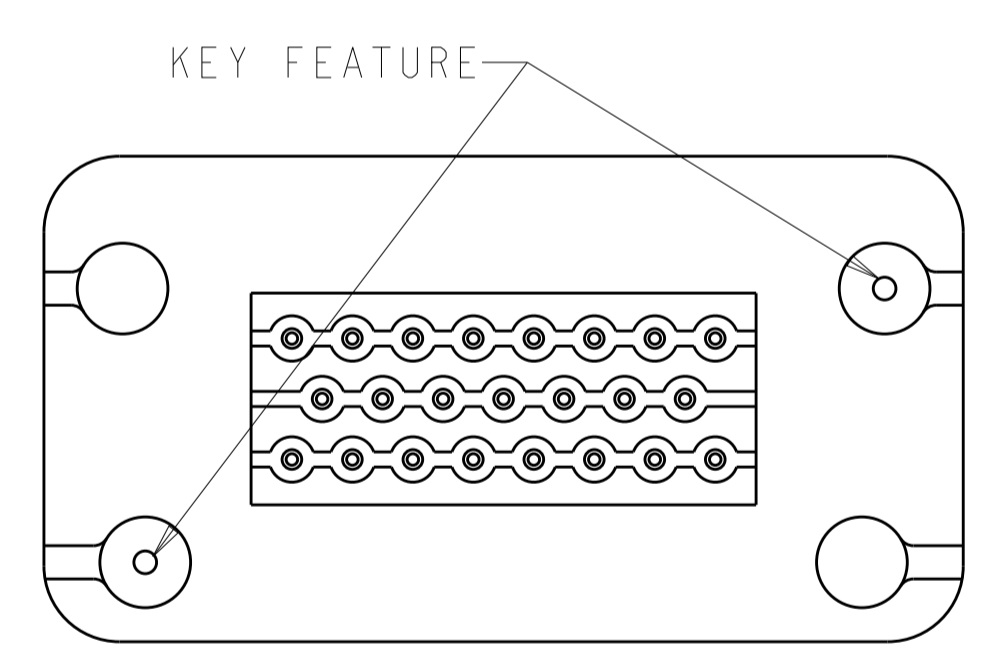
SCALE 2:1



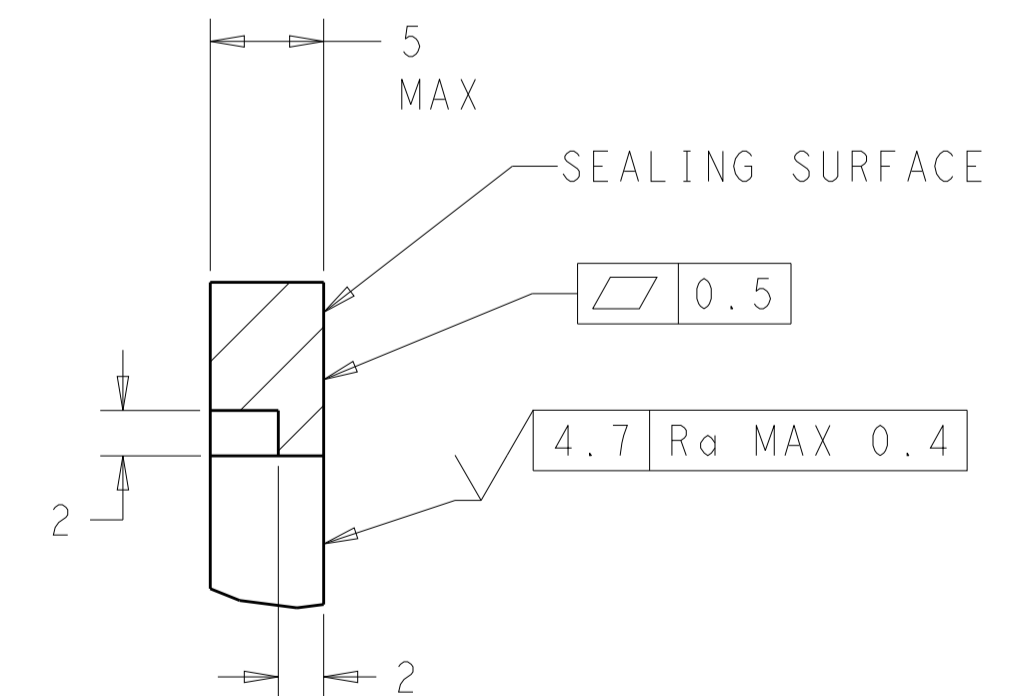
SCALE 2:1



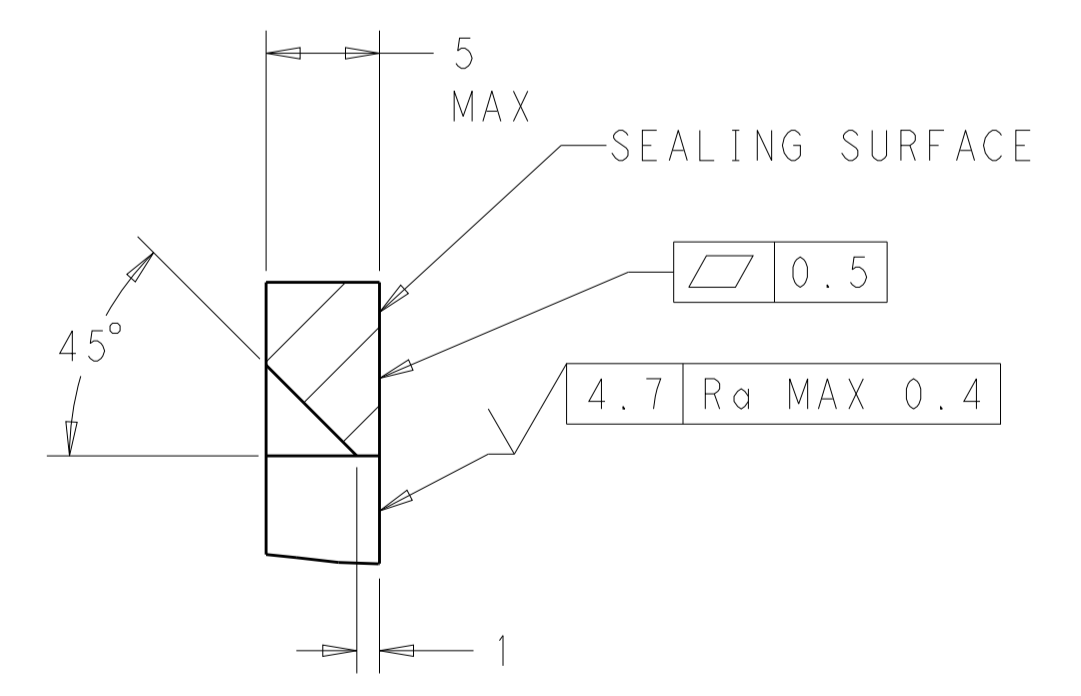
KEYING FOR 776228-1 AND 776228-5 SCALE 2:1



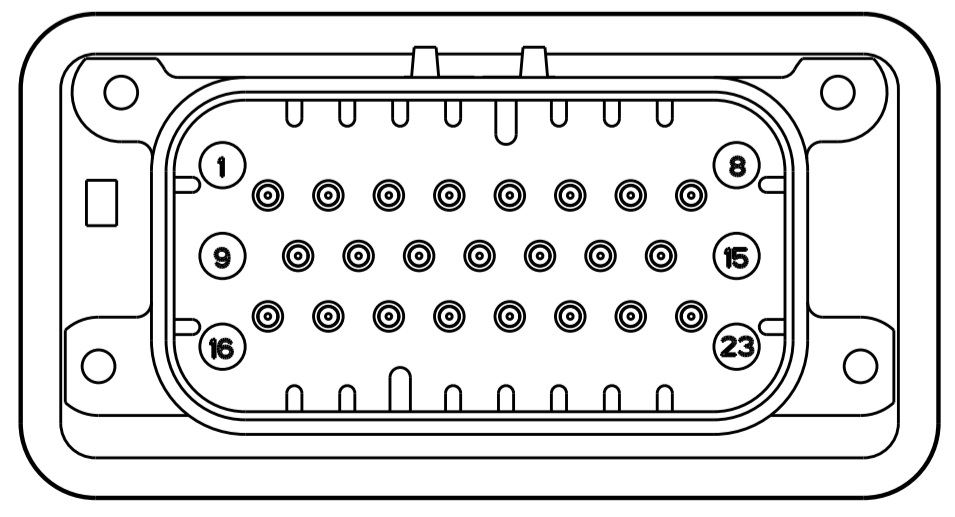
KEYING FOR 776228-2 AND 776228-4 SCALE 2:1



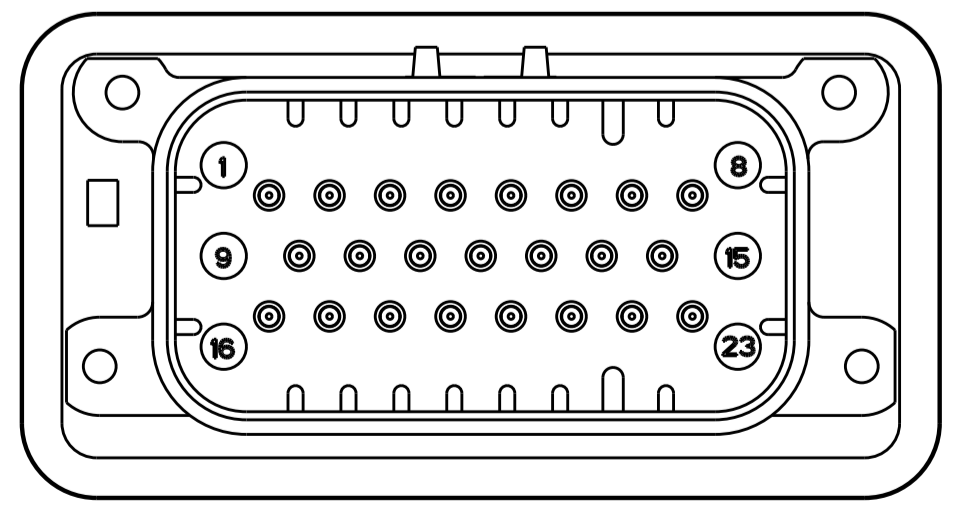
SECTION A-A  
OPTIONAL CONSTRUCTION IF PANEL THICKNESS IS GREATER THAN 2.0



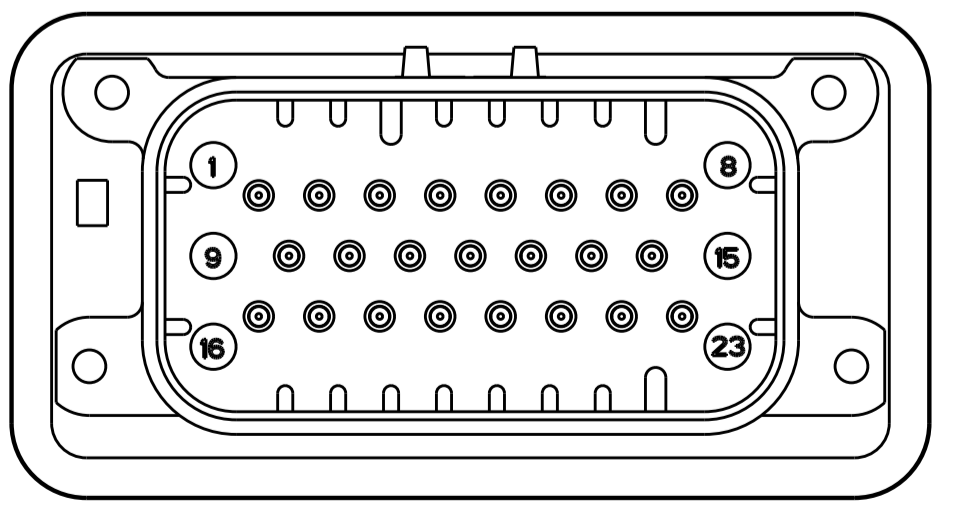
SECTION A-A  
OPTIONAL CONSTRUCTION IF PANEL THICKNESS IS GREATER THAN 2.0



776228-2 & 1-776228-2  
KEY LOCATION  
SCALE 2:1



776228-4 & 1-776228-4  
KEY LOCATION  
SCALE 2:1



776228-5 & 1-776228-5  
KEY LOCATION  
SCALE 2:1

THIS DRAWING IS A CONTROLLED DOCUMENT.		OWN: D. STRAUSSER 05MAR2010	TE Connectivity	
DIMENSIONS: mm		CHK: D. STRAUSSER 22MAR2010		
TOLERANCES UNLESS OTHERWISE SPECIFIED:		APPV: D. STRAUSSER 27APR2010	NAME: ASSEMBLY, HEADER, 23 POSITION, VERTICAL, AMPSEAL WITH FLANGE SEAL	
0 PLC ±0.2		PRODUCT SPEC: 108-1329	SIZE: CAGE CODE DRAWING NO: 114-16016	
1 PLC ±0.2		APPLICATION SPEC: 114-16016	RESTRICTED TO: -	
2 PLC ±0.2		WEIGHT: 22.68g	SCALE: 2:1 SHEET 2 OF 2 REV: C16	
3 PLC ±0.2		CUSTOMER DRAWING	A100779C=776228	
4 PLC ±0.2				
ANGLES ±0.5				
FINISH				

## X-ON Electronics

Largest Supplier of Electrical and Electronic Components

*Click to view similar products for [Automotive Connectors](#) category:*

*Click to view products by [TE Connectivity](#) manufacturer:*

Other Similar products are found below :

[003-018-000](#) [60403001](#) [60993906-B](#) [M902-2131](#) [M902-2161](#) [M902-2344](#) [72.330.1035.1](#) [73.353.4028.0](#) [F119300-B](#) [F166900](#) [F258300-B](#)  
[F358300-B](#) [F407400](#) [F444110](#) [F487000](#) [F509500B-B](#) [827153-1](#) [8N1515-32-24P](#) [9-1326729-8](#) [925474-1](#) [928905-1](#) [964562-4](#) [968782-1](#)  
[GT17SA-8DS-HU](#) [98891-1012](#) [98947-1016](#) [12004147](#) [12004475-L](#) [12010290](#) [12010309-B](#) [12015454](#) [12020219-B](#) [12041318-B](#) [12052225-](#)  
[L](#) [12052466](#) [12064869](#) [12004327-B](#) [12015308](#) [12015384](#) [12015909](#) [1-21030-1](#) [12041254](#) [12041318](#) [12047946-B](#) [12047957](#) [12047957-L](#)  
[12059473](#) [12066261](#) [12110546](#) [12110546-B](#)