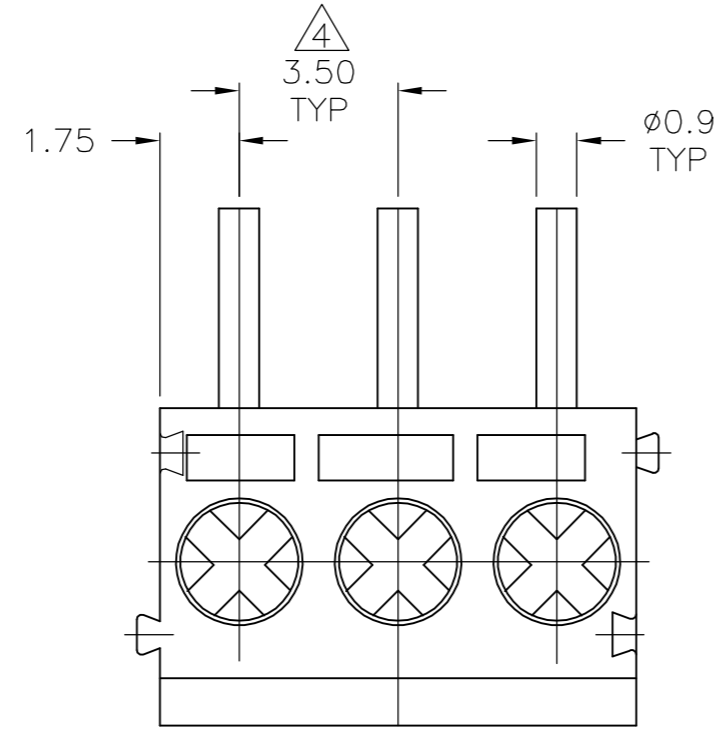
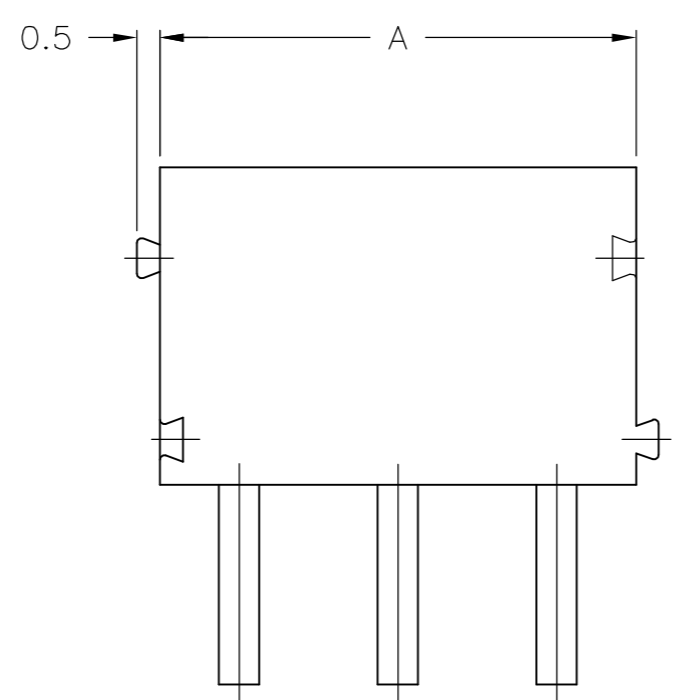
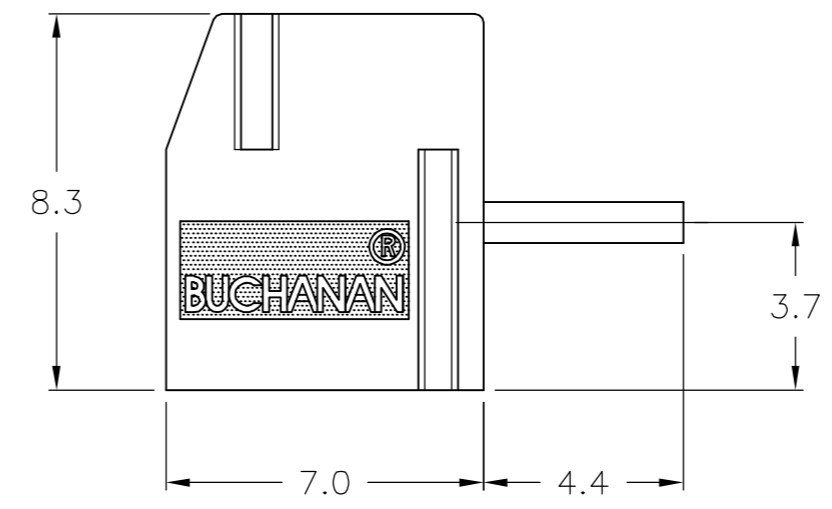
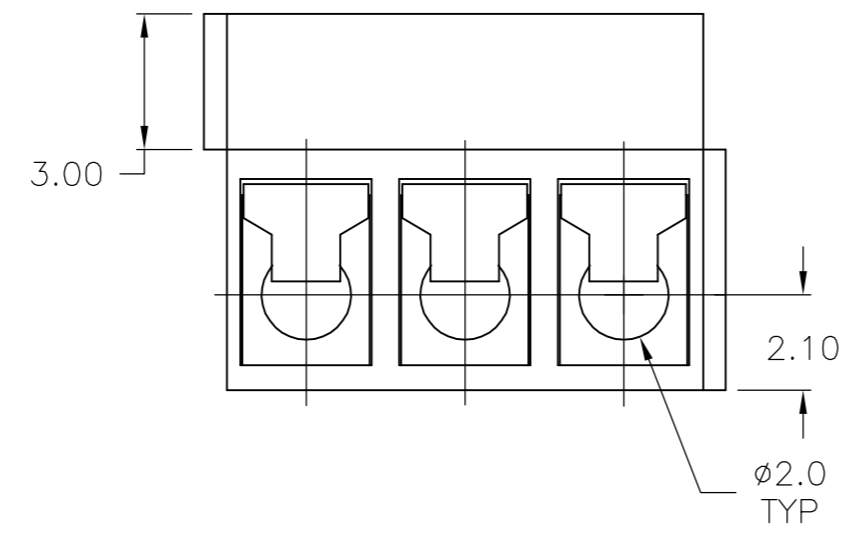
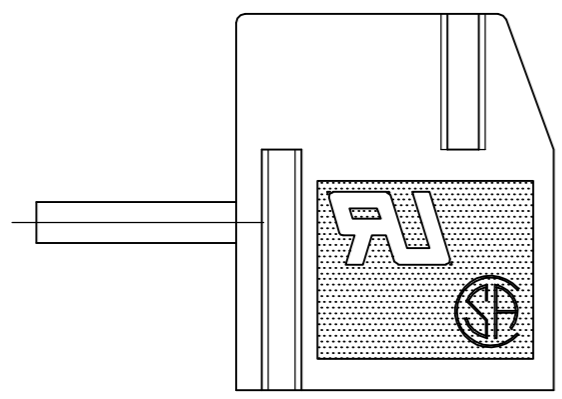


THIS DRAWING IS UNPUBLISHED. RELEASED FOR PUBLICATION
 © COPYRIGHT BY TYCO ELECTRONICS CORPORATION. ALL RIGHTS RESERVED.

LOC		DIST		REVISIONS			
P	LTR	DESCRIPTION		DATE	DWN	APVD	
	02	REVISED PER ECO-06-24591		10/19/06	SS	CR	



1. ALL DIMENSIONS ARE IN MM.
 2. RECOMMENDED PC BOARD HOLE DIAMETER: 1.20MM TO 1.40MM.
 3. BUCHANAN LOGO TO APPEAR ON HOUSING LOCATION OPTIONAL WHERE SPACE PERMITS.
- △ NON CUMULATIVE



1776253-3 AS SHOWN

84.00	24	2-1776253-4
80.50	23	2-1776253-3
77.00	22	2-1776253-2
73.50	21	2-1776253-1
70.00	20	2-1776253-0
66.50	19	1-1776253-9
28.00	18	1-1776253-8
59.50	17	1-1776253-7
56.00	16	1-1776253-6
52.50	15	1-1776253-5
49.00	14	1-1776253-4
45.50	13	1-1776253-3
42.00	12	1-1776253-2
38.50	11	1-1776253-1
35.00	10	1-1776253-0
31.50	9	1776253-9
28.00	8	1776253-8
24.50	7	1776253-7
21.00	6	1776253-6
17.50	5	1776253-5
14.00	4	1776253-4
10.50	3	1776253-3
7.00	2	1776253-2
DIM A	NO OF POSN	PART NUMBER

THIS DRAWING IS A CONTROLLED DOCUMENT.		DWN	S SCHLEGEL	5/6/05	Tyco Electronics Corporation Harrisburg, Pa 17105-3608																											
DIMENSIONS: mm		CHK	C RICHARD	5/6/05																												
TOLERANCES UNLESS OTHERWISE SPECIFIED:		APVD	C RICHARD	5/6/05																												
<table border="1"> <tr><td>0</td><td>PLC</td><td>±</td><td>-</td></tr> <tr><td>1</td><td>PLC</td><td>±</td><td>0.3</td></tr> <tr><td>2</td><td>PLC</td><td>±</td><td>0.25</td></tr> <tr><td>3</td><td>PLC</td><td>±</td><td>-</td></tr> <tr><td>4</td><td>PLC</td><td>±</td><td>-</td></tr> <tr><td colspan="2">ANGLES</td><td>±</td><td>-</td></tr> <tr><td colspan="2">FINISH</td><td>-</td><td>-</td></tr> </table>		0	PLC	±		-	1	PLC	±	0.3	2	PLC	±	0.25	3	PLC	±	-	4	PLC	±	-	ANGLES		±	-	FINISH		-	-	PRODUCT SPEC	NAME
0	PLC	±	-																													
1	PLC	±	0.3																													
2	PLC	±	0.25																													
3	PLC	±	-																													
4	PLC	±	-																													
ANGLES		±	-																													
FINISH		-	-																													
MATERIAL	-	WEIGHT	-	SIZE	A2	CAGE CODE	00779	DRAWING NO	C=1776253	RESTRICTED TO	-																					
CUSTOMER DRAWING		SCALE	NTS	SHEET	1	OF	2	REV	02																							

THIS DRAWING IS UNPUBLISHED. RELEASED FOR PUBLICATION
 © COPYRIGHT BY TYCO ELECTRONICS CORPORATION. ALL RIGHTS RESERVED.

LOC	DIST	REVISIONS					
FT	0	P	LTR	DESCRIPTION	DATE	DWN	APVD
		-		SEE SHEET 1	-	-	-

1. APPLICATION AND FEATURES:

- 1-1. STANDARD SIZES ARE 2 AND 3 WAY-BLOCKS, BUT EVERY NUMBER OF CONTACT CAN BE COMBINED, BY SIMPLY PLUGGING THEM TOGETHER AND CAN BE ORDERED AS REQUIRED.
- 1-2. WITH WIRE GUARD FOR WIRE PROTECTION SO THAT THE SCREW DOESN'T PRESS DIRECTLY ON THE WIRE.

2. TECHNICAL DATA:

- 2-1. MATERIAL:
 - 2-1-1. HOUSING: NYLON 6.6, UL 94 V-0, BLUE.
 - 2-1-2. METAL HOUSING: BRASS(Cu Zn)
Cu, TIN PLATED.
 - 2-1-3. WIRE GUARD: STAINLESS STEEL.
 - 2-1-4. SCREW: STEEL GALVANIZED AND CHROMATIZED, M2.6.


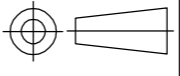
2-2. ELECTRICAL:

- 2-2-1. CURRENT RATING: RATING: 7 AMPS/WAY MAX.
- 2-2-2. CONTACT RESISTANCE: 20mΩ (MAX).
- 2-2-3. INSULATION RESISTANCE: 5000MΩ/1000V.
- 2-2-4. WITHSTANDING VOLTAGE: 1500 VAC/MIN.
- 2-2-5. OPERATION VOLTAGE: 250 VAC.
- 2-2-6. WIRE RANGE: 18-26 AWG.

2.3. MECHANICAL:

- 2-3-1. TORQUE: 4 Kg.cm (MAX).
- 2-3-3. OPERATING TEMPERATURE: -55°C to +105°C.
- 2-3-4. SOLDERABILITY: 95% COVERAGE (MIN).

1776253

THIS DRAWING IS A CONTROLLED DOCUMENT.		DWN	S SCHLEGEL	5/6/05	 Tyco Electronics Corporation Harrisburg, Pa 17105-3608		
DIMENSIONS: mm		CHK	C RICHARD	5/6/05			
TOLERANCES UNLESS OTHERWISE SPECIFIED:		APVD	C RICHARD	5/6/05			
		PRODUCT SPEC	NAME			TERMINAL BLOCK, PCB MOUNT, STRAIGHT TOP WIRE ENTRY, W/ INTERLOCK 3.5MM PITCH, HIGH TEMP	
MATERIAL		APPLICATION SPEC	SIZE		CAGE CODE	DRAWING NO	RESTRICTED TO
FINISH		WEIGHT	A2		00779	C=1776253	-
-		CUSTOMER DRAWING		SCALE	NTS	SHEET	2 OF 2
						REV	02

X-ON Electronics

Largest Supplier of Electrical and Electronic Components

Click to view similar products for [Fixed Terminal Blocks](#) category:

Click to view products by [TE Connectivity](#) manufacturer:

Other Similar products are found below :

[00175820202](#) [MBE-1512](#) [MBE-1520](#) [MBE-154](#) [MBE-156](#) [MBES-1510](#) [MBES-153](#) [MBES-156](#) [MH-2512](#) [MHE-132](#) [MHE-133](#) [MHE-163](#)
[MI-254 \(35\)](#) [MI-272](#) [8739](#) [880507](#) [880508](#) [MPT-275](#) [1546551-6](#) [BA311TU](#) [BA411SU](#) [MV-152](#) [MV-253/NCNOC](#) [MV-254-D](#) [MV-255](#)
[MV-462](#) [MV-472](#) [MV-493](#) [MVE-252](#) [MVE-253](#) [MVE-258](#) [MVE-273](#) [MVEB-153](#) [1700096](#) [1702246](#) [1705142](#) [1712417](#) [1713020](#) [1713088](#)
[1745195](#) [1760594](#) [1776118-2](#) [1790852](#) [1-796689-8](#) [1-796692-6](#) [1800001](#) [1800114](#) [1823215](#) [1838462](#) [1849079](#)