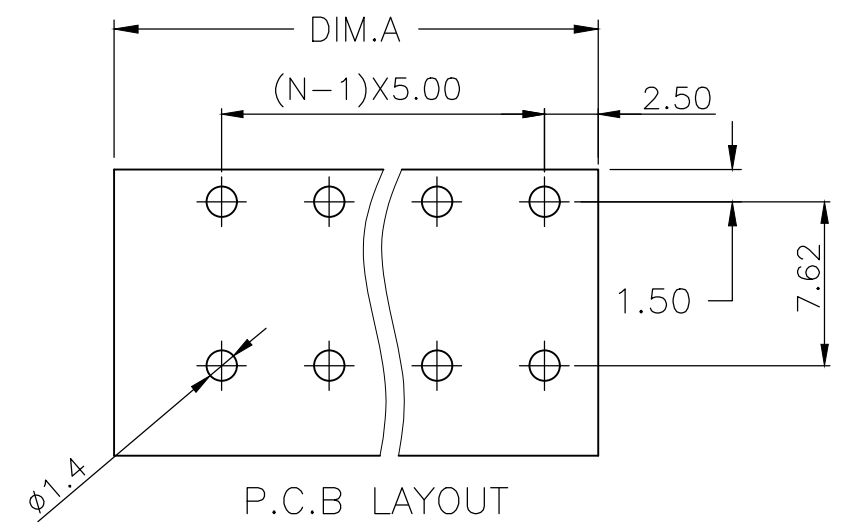
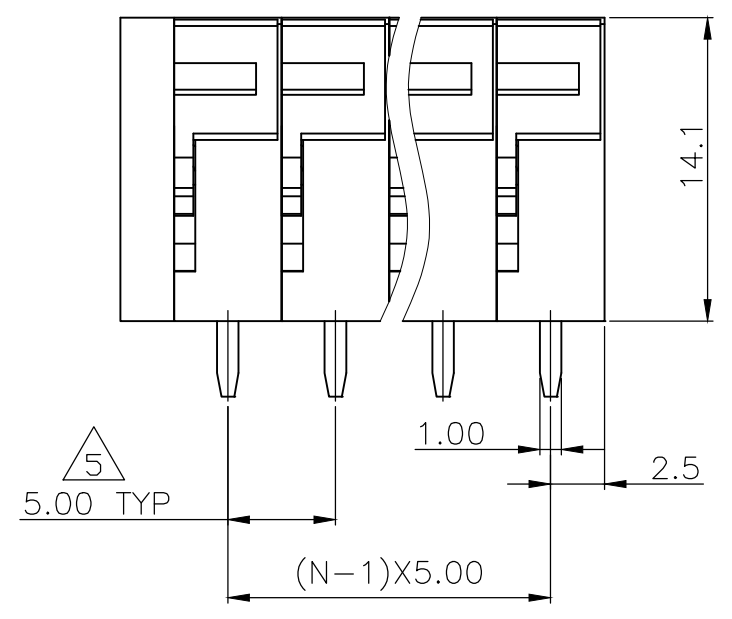
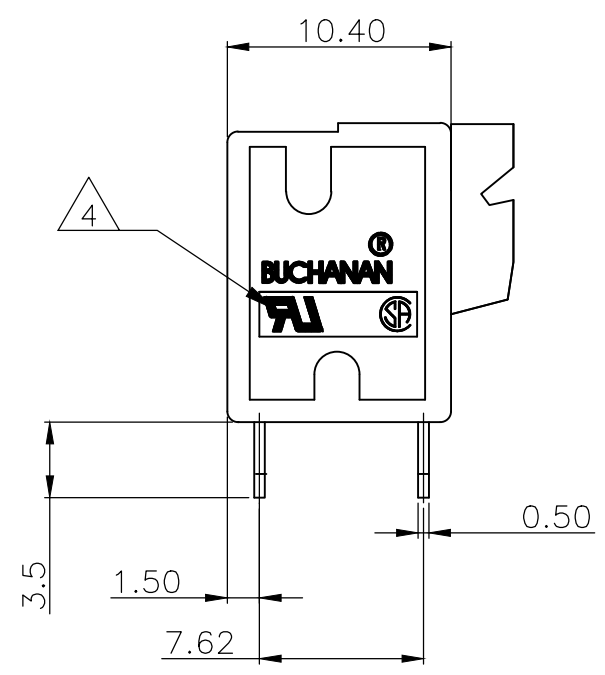
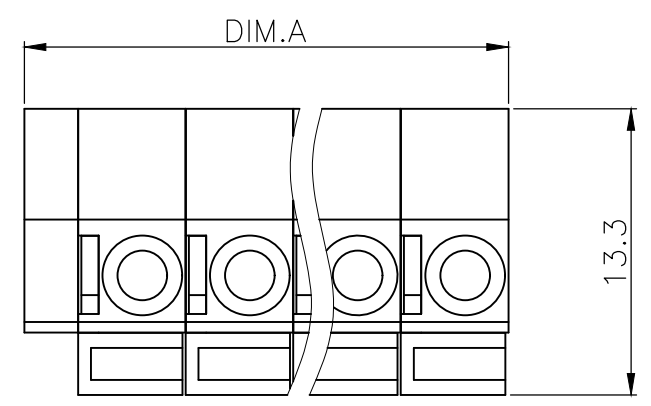


THIS DRAWING IS UNPUBLISHED. RELEASED FOR PUBLICATION
 © COPYRIGHT - By - ALL RIGHTS RESERVED.

REVISIONS					
P	LTR	DESCRIPTION	DATE	DWN	APVD
	R	DESIGN IMPROVEMENT	22JUL2019	RK	PS



N=NUMBER OF CONTACTS

62.50	12	1-1776259-2
57.50	11	1-1776259-1
52.50	10	1-1776259-0
47.50	9	1776259-9
42.50	8	1776259-8
37.50	7	1776259-7
32.50	6	1776259-6
27.50	5	1776259-5
22.50	4	1776259-4
17.50	3	1776259-3
12.50	2	1776259-2
DIM.A	NO. OF POS.	TE PN

THIS DRAWING IS A CONTROLLED DOCUMENT.		DWN S SCHLEGEL 5/6/05	TE Connectivity Ltd.		
DIMENSIONS: mm		CHK C RICHARD 5/6/05			
TOLERANCES UNLESS OTHERWISE SPECIFIED:		APVD C RICHARD 5/6/05	NAME		
0 PLC ± -		PRODUCT SPEC	TERMINAL BLOCK, BOARD MT. SCREWLESS, TOP WIRE ENTRY, 5.0mm PITCH.		
1 PLC ± 0.3		APPLICATION SPEC	-		
2 PLC ± 0.2		WEIGHT	SIZE	CAGE CODE	DRAWING NO
3 PLC ± -		-	A3	00779	C-1776259
4 PLC ± -			CUSTOMER DRAWING	SCALE	SHEET
ANGLES ± -			NTS	1 OF 2	R
FINISH					

THIS DRAWING IS UNPUBLISHED. RELEASED FOR PUBLICATION
 © COPYRIGHT - By - ALL RIGHTS RESERVED.

REVISIONS					
P	LTR	DESCRIPTION	DATE	DWN	APVD
-	-	SEE SHEET 1	-	-	-


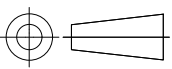
- MATERIAL:**
 HOUSING: POLYAMIDE 66, UL94V-0, COLOR: GREEN.
 CONTACT: COPPER ALLOY, TIN PLATED.
 WIRE GUARD: STAINLESS STEEL.
- ELECTRICAL:**
 MAX. CURRENT RATING: 10 A.
 CONTACT RESISTANCE: 20mΩ MAX.
 INSULATION RESISTANCE: 500MΩ/500VAC.
 DIELECTRIC WITHSTANDING VOLTAGE: 2000VAC (MIN).
 OPERATING VOLTAGE: 300VAC.
 WIRE RANGE: 14-22AWG.
- MECHANICAL:**
 WIRE RETENTION FORCE: 1.2 KG (MIN).
 OPERATING TEMPERATURE: -55°C TO +105°C.

APPLICATION AND FEATURES:

- THIS SCREWLESS TERMINALS ARE SUITABLE FOR BOTH SOLID AND STRANDED CONDUCTORS.
- A SPRING MADE OF STAINLESS STEEL GUARANTEES FOR PERMANENT AND SAFE CONTACT.
- THIS IS OPERATED BY PUSHING A SCREW DRIVER ON THE LEVER. THIS LEVER IS FULLY INTEGRATED INTO THE BODY.

4 BUCHANAN LOGO, UL & CSA LOGO'S LOCATED APPROX. AS SHOWN.
 TEXT MUST BE LEGIBLE.

5 NON CUMULATIVE

THIS DRAWING IS A CONTROLLED DOCUMENT.		DWN S SCHLEGEL	5/6/05	 TE Connectivity Ltd.		
DIMENSIONS: mm		CHK C RICHARD	5/6/05			
		APVD C RICHARD	5/6/05	NAME TERMINAL BLOCK, BOARD MT. SCREWLESS, TOP WIRE ENTRY, 5.0mm PITCH.		
TOLERANCES UNLESS OTHERWISE SPECIFIED:		PRODUCT SPEC		-		
0 PLC ± -		APPLICATION SPEC		-		
1 PLC ± 0.3		WEIGHT		-		
2 PLC ± 0.25		SIZE		A3		
3 PLC ± -		CAGE CODE		00779		
4 PLC ± -		DRAWING NO		C-1776259		
ANGLES ± -		RESTRICTED TO		-		
FINISH		CUSTOMER DRAWING		SCALE NTS		
-		SHEET		2 OF 2		
-		REV		R		

X-ON Electronics

Largest Supplier of Electrical and Electronic Components

Click to view similar products for [Fixed Terminal Blocks](#) category:

Click to view products by [TE Connectivity](#) manufacturer:

Other Similar products are found below :

[MBE-1512](#) [MBE-154](#) [MBE-156](#) [MBES-153](#) [MBES-156](#) [MH-2512](#) [MHE-132](#) [MHE-163](#) [MI-254 \(35\)](#) [MI-272](#) [880507](#) [MPT-275](#)
[15602-04-08-21](#) [ELM023100](#) [BA311TU](#) [BA411SU](#) [MV-152](#) [MV-252-D](#) [MV-253/NCNOC](#) [MV-254-D](#) [MV-255](#) [MV-462](#) [MV-493](#) [MVE-](#)
[253](#) [MVE-273](#) [MVEB-153](#) [1700096](#) [1705142](#) [1712417](#) [1713020](#) [1713088](#) [1745195](#) [1760594](#) [1776118-2](#) [1790852](#) [1-796689-8](#) [1-796692-6](#)
[1800001](#) [1800114](#) [1995279](#) [20020314-C121B01LF](#) [CB2-12](#) [KP03215000J0G](#) [KP04215000J0G](#) [S451](#) [282802-2](#) [29.007](#) [29.116](#) [30.103](#)
[30.106](#)