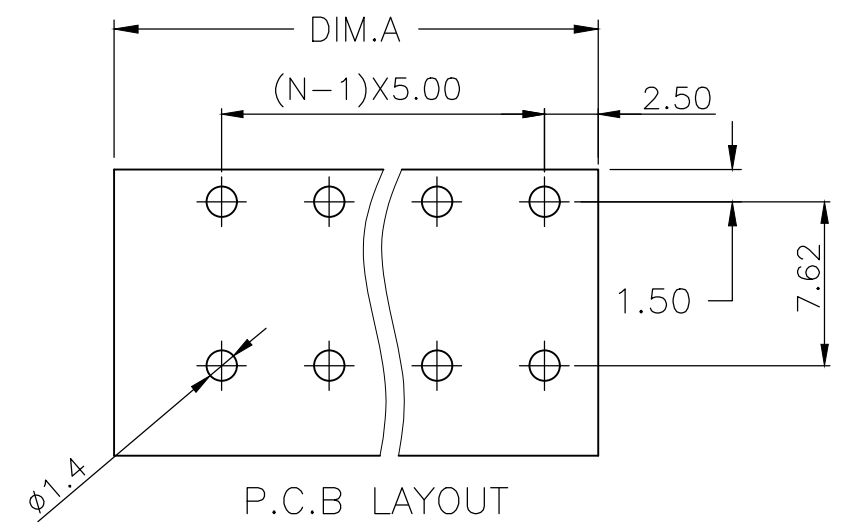
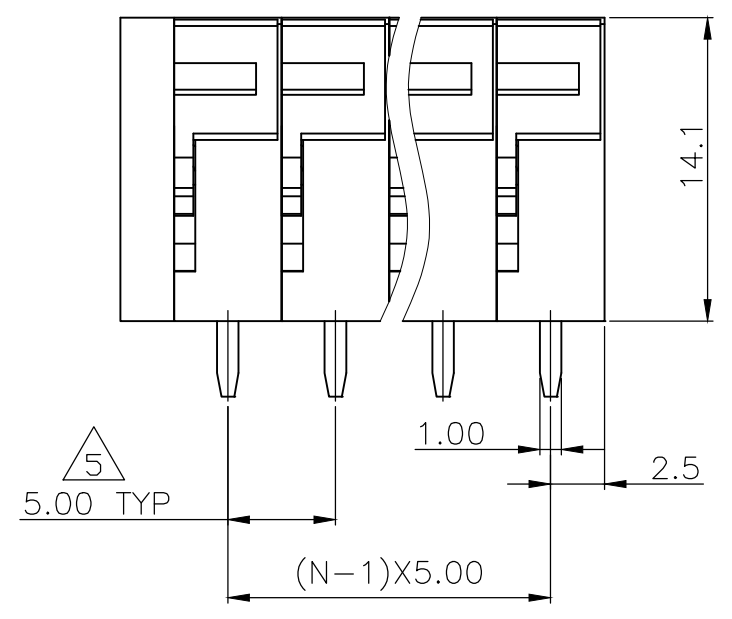
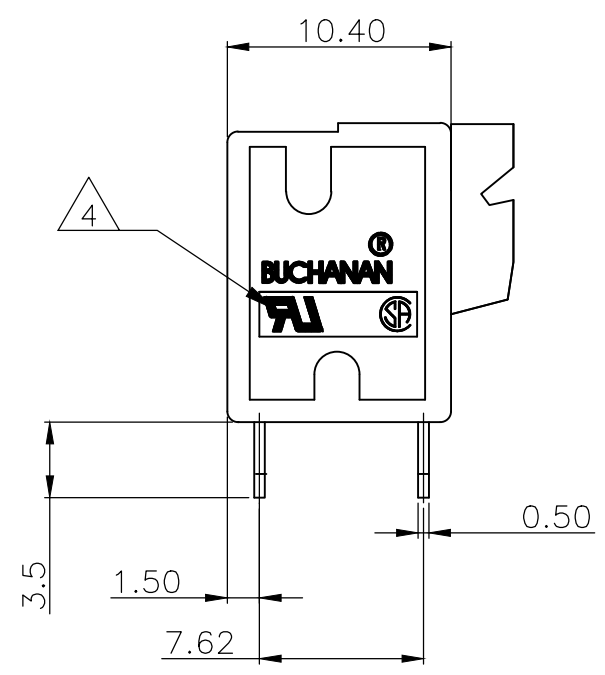
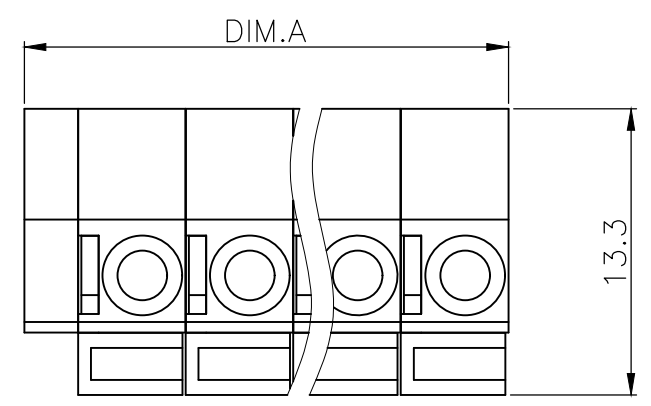


THIS DRAWING IS UNPUBLISHED. RELEASED FOR PUBLICATION
 © COPYRIGHT - By - ALL RIGHTS RESERVED.

| REVISIONS | | | | | |
|-----------|-----|--------------------|-----------|-----|------|
| P | LTR | DESCRIPTION | DATE | DWN | APVD |
| | R | DESIGN IMPROVEMENT | 22JUL2019 | RK | PS |



N=NUMBER OF CONTACTS

| | | |
|-------|-------------|-------------|
| 62.50 | 12 | 1-1776259-2 |
| 57.50 | 11 | 1-1776259-1 |
| 52.50 | 10 | 1-1776259-0 |
| 47.50 | 9 | 1776259-9 |
| 42.50 | 8 | 1776259-8 |
| 37.50 | 7 | 1776259-7 |
| 32.50 | 6 | 1776259-6 |
| 27.50 | 5 | 1776259-5 |
| 22.50 | 4 | 1776259-4 |
| 17.50 | 3 | 1776259-3 |
| 12.50 | 2 | 1776259-2 |
| DIM.A | NO. OF POS. | TE PN |

| | | | | | |
|--|--|-----------------------|---|-----------|------------|
| THIS DRAWING IS A CONTROLLED DOCUMENT. | | DWN S SCHLEGEL 5/6/05 | TE Connectivity Ltd. | | |
| DIMENSIONS: mm | | CHK C RICHARD 5/6/05 | | | |
| TOLERANCES UNLESS OTHERWISE SPECIFIED: | | APVD C RICHARD 5/6/05 | NAME | | |
| 0 PLC ± - | | PRODUCT SPEC | TERMINAL BLOCK, BOARD MT. SCREWLESS, TOP WIRE ENTRY, 5.0mm PITCH. | | |
| 1 PLC ± 0.3 | | APPLICATION SPEC | - | | |
| 2 PLC ± 0.2 | | WEIGHT | SIZE | CAGE CODE | DRAWING NO |
| 3 PLC ± - | | - | A3 | 00779 | C-1776259 |
| 4 PLC ± - | | | CUSTOMER DRAWING | SCALE | SHEET |
| ANGLES ± - | | | NTS | 1 OF 2 | R |
| FINISH | | | | | |

THIS DRAWING IS UNPUBLISHED.

RELEASED FOR PUBLICATION

-.-.

REVISIONS

© COPYRIGHT - By -

ALL RIGHTS RESERVED.

| P | LTR | DESCRIPTION | DATE | DWN | APVD |
|---|-----|-------------|------|-----|------|
| | - | SEE SHEET 1 | - | - | - |

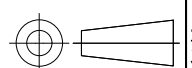
1. MATERIAL:
HOUSING: POLYAMIDE 66, UL94V-0, COLOR: GREEN.
CONTACT: COPPER ALLOY, TIN PLATED.
WIRE GUARD: STAINLESS STEEL.
2. ELECTRICAL:
MAX. CURRENT RATING: 10 A.
CONTACT RESISTANCE: 20mΩ MAX.
INSULATION RESISTANCE: 500MΩ/500VAC.
DIELECTRIC WITHSTANDING VOLTAGE: 2000VAC (MIN).
OPERATING VOLTAGE: 300VAC.
WIRE RANGE: 14-22AWG.
3. MECHANICAL:
WIRE RETENTION FORCE: 1.2 KG (MIN).
OPERATING TEMPERATURE: -55°C TO +105°C.

△4 BUCHANAN LOGO, UL & CSA LOGO'S LOCATED APPROX. AS SHOWN.
TEXT MUST BE LEGIBLE.

△5 NON CUMULATIVE

APPLICATION AND FEATURES:

- THIS SCREWLESS TERMINALS ARE SUITABLE FOR BOTH SOLID AND STRANDED CONDUCTORS.
- A SPRING MADE OF STAINLESS STEEL GUARANTEES FOR PERMANENT AND SAFE CONTACT.
- THIS IS OPERATED BY PUSHING A SCREW DRIVER ON THE LEVER. THIS LEVER IS FULLY INTEGRATED INTO THE BODY.

| | | | | | |
|---|--|--|--------|----------------------------------|-----------------|
| THIS DRAWING IS A CONTROLLED DOCUMENT. | | DWN S SCHLEGEL | 5/6/05 | STE TE Connectivity Ltd. | |
| DIMENSIONS: mm | | CHK C RICHARD | 5/6/05 | | |
|  | | TOLERANCES UNLESS OTHERWISE SPECIFIED: | | NAME C RICHARD | |
| | | 0 PLC ± - 1 PLC ± 0.3 2 PLC ± 0.25 3 PLC ± - 4 PLC ± - ANGLES ± - | | APVD C RICHARD | |
| MATERIAL - | | FINISH - | | PRODUCT SPEC - | |
| | | APPLICATION SPEC - | | DRAWING NO A3 00779 C-1776259 | |
| | | WEIGHT - | | RESTRICTED TO - | |
| CUSTOMER DRAWING | | | | SCALE NTS | SHEET 2 OF 2 |
| | | | | REV R | |

X-ON Electronics

Largest Supplier of Electrical and Electronic Components

Click to view similar products for [Fixed Terminal Blocks](#) category:

Click to view products by [TE Connectivity](#) manufacturer:

Other Similar products are found below :

[MBE-1512](#) [MBE-154](#) [MBE-156](#) [MBES-153](#) [MBES-156](#) [MH-2512](#) [MHE-132](#) [MHE-163](#) [MI-254 \(35\)](#) [MI-272](#) [880507](#) [MPT-275](#)
[15602-04-08-21](#) [BA311TU](#) [BA411SU](#) [MV-152](#) [MV-252-D](#) [MV-253/NCNOC](#) [MV-254-D](#) [MV-255](#) [MV-462](#) [MV-493](#) [MVE-252](#) [MVE-253](#)
[MVE-273](#) [MVEB-153](#) [1700096](#) [1705142](#) [1712417](#) [1713020](#) [1713088](#) [1745195](#) [1760594](#) [1776118-2](#) [1790852](#) [1-796689-8](#) [1-796692-6](#)
[1800001](#) [1800114](#) [1995279](#) [20020314-C121B01LF](#) [20020316-G041B01LF](#) [CB2-12](#) [KP03215000J0G](#) [KP04215000J0G](#) [S451](#) [282802-2](#)
[29.007](#) [29.116](#) [30.103](#)