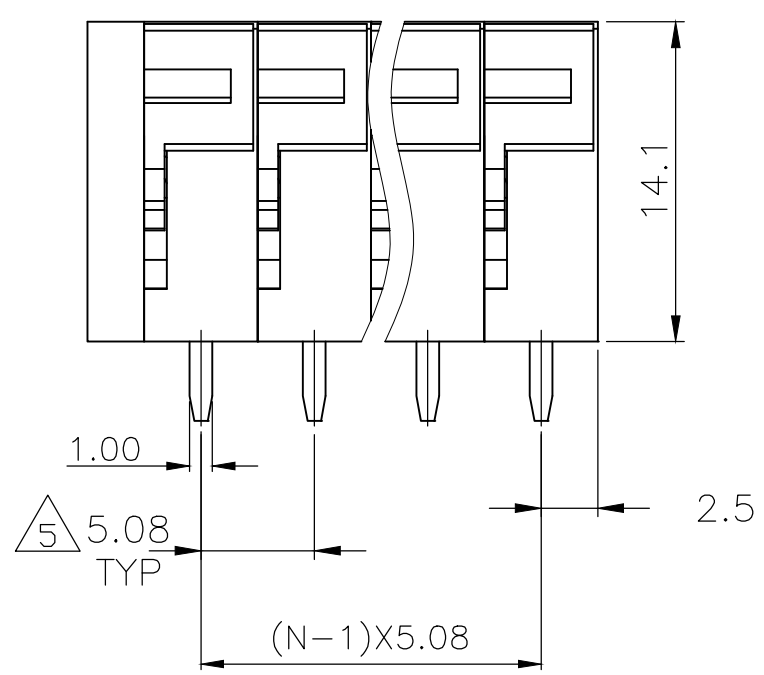
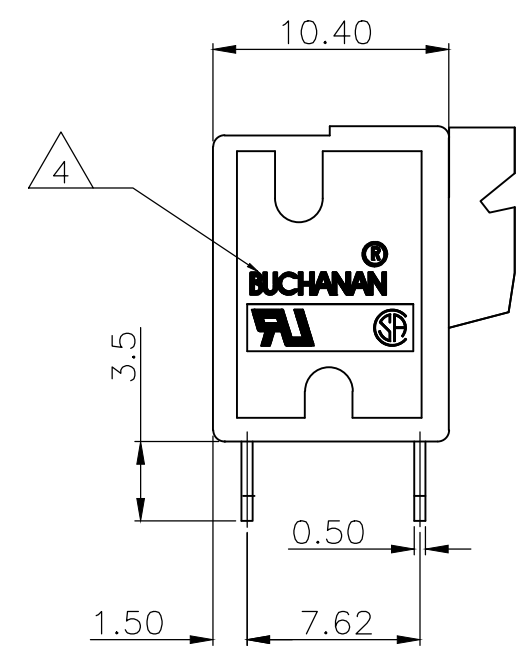
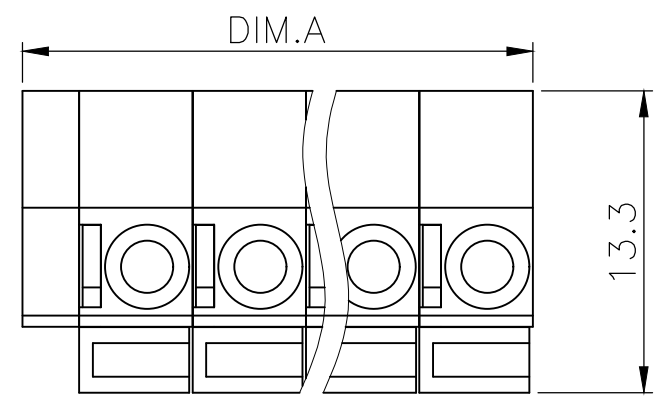
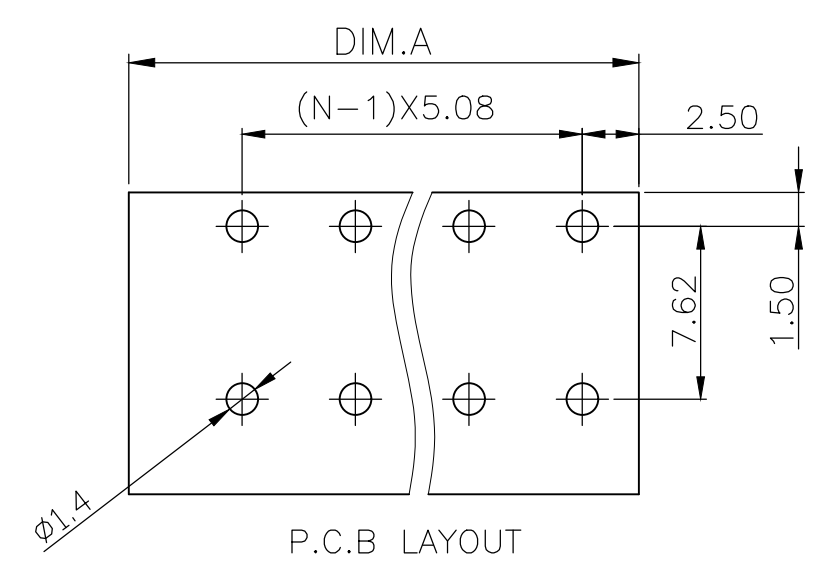


THIS DRAWING IS UNPUBLISHED. RELEASED FOR PUBLICATION  
 © COPYRIGHT - By - ALL RIGHTS RESERVED.

REVISIONS					
P	LTR	DESCRIPTION	DATE	DWN	APVD
	R	DESIGN IMPROVEMENT	22JUL2019	RK	PS



63.46	12	1-1776260-2
58.38	11	1-1776260-1
53.30	10	1-1776260-0
48.22	9	1776260-9
43.14	8	1776260-8
38.06	7	1776260-7
32.98	6	1776260-6
27.90	5	1776260-5
22.82	4	1776260-4
17.74	3	1776260-3
12.66	2	1776260-2
DIM. A	NO. OF POS.	PART NUMBER



N=NUMBER OF CONTACTS

THIS DRAWING IS A CONTROLLED DOCUMENT.		DWN S SCHLEGEL 5/6/05	TE Connectivity Ltd.		
DIMENSIONS: mm		CHK C RICHARD 5/6/05			
TOLERANCES UNLESS OTHERWISE SPECIFIED:		APVD C RICHARD 5/6/05	NAME		
0 PLC ± -		PRODUCT SPEC	TERMINAL BLOCK, BOARD MT. SCREWLESS		
1 PLC ± 0.3		APPLICATION SPEC	TOP WIRE ENTRY, 5.08mm PITCH		
2 PLC ± 0.2		WEIGHT -	SIZE A3	CAGE CODE 00779	DRAWING NO C-1776260
3 PLC ± -		MATERIAL -	RESTRICTED TO		-
4 PLC ± -			CUSTOMER DRAWING		
ANGLES ± -		SCALE NTS		SHEET 1 OF 2	REV R
FINISH -					

THIS DRAWING IS UNPUBLISHED. RELEASED FOR PUBLICATION  
 © COPYRIGHT - By - ALL RIGHTS RESERVED.

REVISIONS					
P	LTR	DESCRIPTION	DATE	DWN	APVD
-	-	SEE SHEET 1	-	-	-


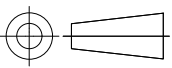
- MATERIAL:**  
 HOUSING: POLYAMIDE, UL94V-0, GREEN.  
 CONTACT: COPPER ALLOY, TIN PLATED.  
 WIRE GUARD: STAINLESS STEEL.
- ELECTRICAL:**  
 MAX. CURRENT RATING: 10 A.  
 CONTACT RESISTANCE: 20mΩ MAX.  
 INSULATION RESISTANCE: 500MΩ/500VAC.  
 DIELECTRIC WITHSTANDING VOLTAGE: 2000VAC MIN.  
 OPERATING VOLTAGE: 300VAC.  
 WIRE RANGE: 14-22AWG.
- MECHANICAL:**  
 WIRE RETENTION FORCE: 1.2 KG (MIN).  
 OPERATING TEMPERATURE: -55°C TO +105°C.

APPLICATION AND FEATURES:

- THIS SCREWLESS TERMINALS ARE SUITABLE FOR BOTH SOLID AND STRANDED CONDUCTORS.
- A SPRING MADE OF STAINLESS STEEL GUARANTEES FOR PERMANENT AND SAFE CONTACT.
- THIS IS OPERATED BY PUSHING A SCREW DRIVER ON THE LEVER. THIS LEVER IS FULLLY INTEGRATED INTO THE BODY.

4 BUCHANAN LOGO, UL & CSA LOGO'S LOCATED APPROX. AS SHOWN. TEXT MUST BE LEGIBLE.

5 NON CUMULATIVE

THIS DRAWING IS A CONTROLLED DOCUMENT.		DWN S SCHLEGEL	5/6/05	 TE Connectivity Ltd.					
DIMENSIONS: mm		CHK C RICHARD	5/6/05						
		APVD C RICHARD	5/6/05	NAME TERMINAL BLOCK, BOARD MT. SCREWLESS TOP WIRE ENTRY, 5.08mm PITCH					
TOLERANCES UNLESS OTHERWISE SPECIFIED:		PRODUCT SPEC		APPLICATION SPEC					
0 PLC ± - 1 PLC ± 0.3 2 PLC ± 0.2 3 PLC ± - 4 PLC ± - ANGLES ± -		WEIGHT		SIZE	CAGE CODE	DRAWING NO	RESTRICTED TO		
MATERIAL		FINISH		A3 00779		C=1776260	-		
CUSTOMER DRAWING				SCALE	NTS	SHEET	2 OF 2	REV	R

## X-ON Electronics

Largest Supplier of Electrical and Electronic Components

*Click to view similar products for [Fixed Terminal Blocks](#) category:*

*Click to view products by [TE Connectivity](#) manufacturer:*

Other Similar products are found below :

[MBE-1512](#) [MBE-154](#) [MBE-156](#) [MBES-153](#) [MBES-156](#) [MH-2512](#) [MHE-132](#) [MHE-163](#) [MI-254 \(35\)](#) [MI-272](#) [880507](#) [MPT-275](#)  
[15602-04-08-21](#) [BA311TU](#) [BA411SU](#) [MV-152](#) [MV-252-D](#) [MV-253/NCNOC](#) [MV-254-D](#) [MV-255](#) [MV-462](#) [MV-493](#) [MVE-252](#) [MVE-253](#)  
[MVE-273](#) [MVEB-153](#) [1700096](#) [1705142](#) [1712417](#) [1713020](#) [1713088](#) [1745195](#) [1760594](#) [1776118-2](#) [1790852](#) [1-796689-8](#) [1-796692-6](#)  
[1800001](#) [1800114](#) [1995279](#) [20020314-C121B01LF](#) [CB2-12](#) [KP03215000J0G](#) [KP04215000J0G](#) [S451](#) [282802-2](#) [29.007](#) [29.116](#) [30.103](#)  
[30.106](#)