

THIS DRAWING IS UNPUBLISHED. RELEASED FOR PUBLICATION  
 © COPYRIGHT - By - ALL RIGHTS RESERVED.

REVISIONS					
P	LTR	DESCRIPTION	DATE	DWN	APVD
	A	HIGH TEMP PHRASE REMOVED	10AUG16	FP	NG

1. Application and Features:

- 1-1. This terminal block is designed to plug onto loose pins or pin header strips.
- 1-2. With wire guard for wire protection so that the screw doesn't press directly on the wire.
- 1-3. Easy handling due to the pluggable system horizontally or vertically.

2. Technical Data:

- 2-1. Material
  - 2-1-1. Housing: PA 6.6, UL94V-0, BLACK.
  - 2-1-2. Metal Housing: Brass(Cu Zn) Cu, Tin Plated.
  - 2-1-3. Wire Guard: Cu Be, Tin Plated.
  - 2-1-4. Screw: Steel galvanized and chromitized, M2.6.

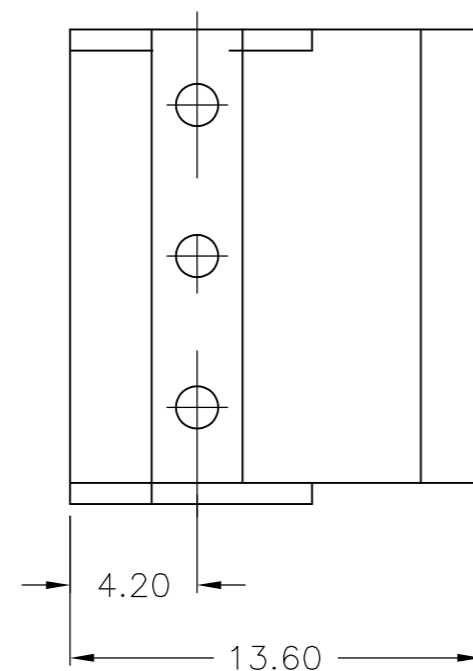
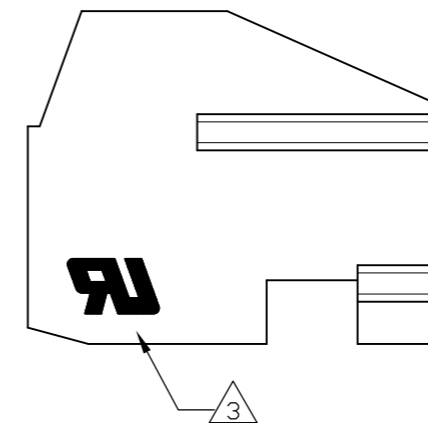
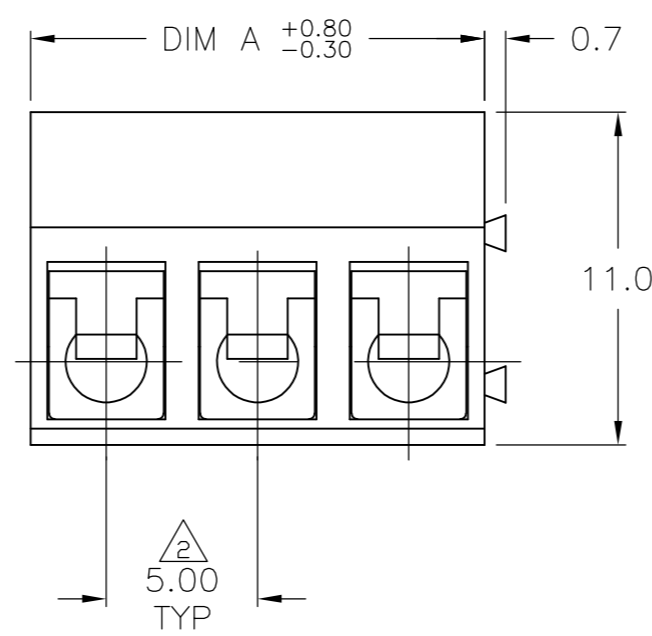
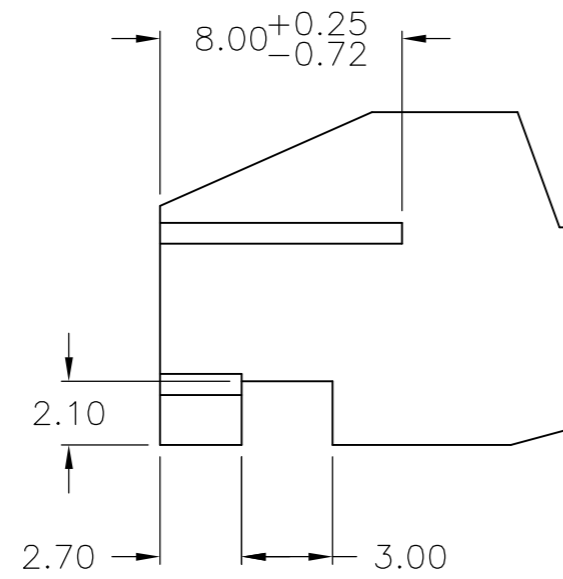
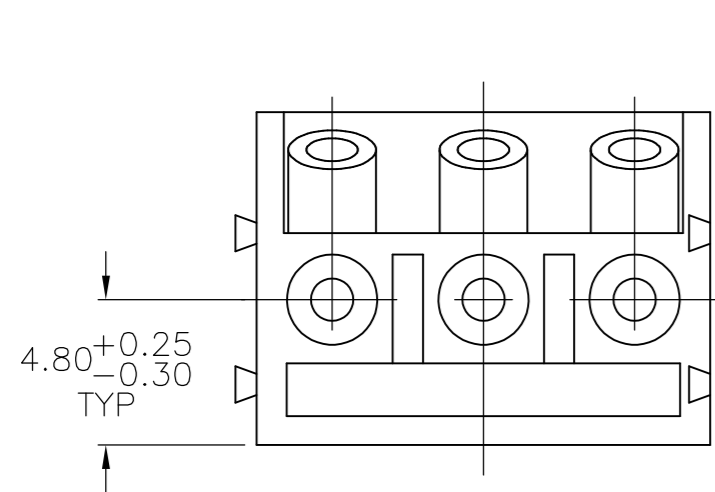
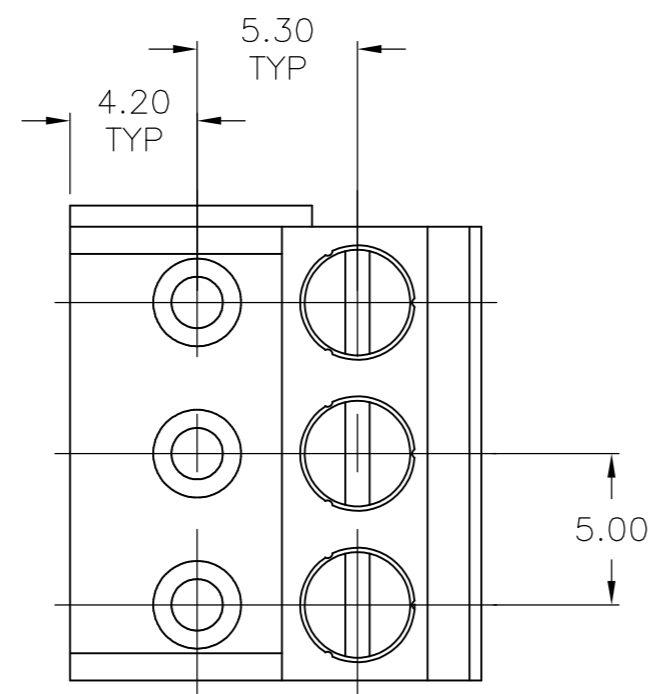
2-3. Electrical:

- 2-3-1. Current rating: 10 amps/way max.
- 2-3-2. Contact resistance: 20mΩ (Max).
- 2-3-3. Insulation resistance: 5000MΩ/1000V.
- 2-3-4. Withstanding voltage: 1500 VAC/min, test time= 60sec/1pc.
- 2-3-5. Operation voltage: 300 VAC.
- 2-3-6. Wire Range: 14-22 AWG.

2.4 Mechanical:

- 2-4-1. Torque: 4 Kg.cm (Max).
- 2-4-2. Contact retention Force: 0.2Kg/cm (min).
- 2-4-3. Operating temperature: -55°C to +105°C.
- 2-4-4. Solderability: 95% coverage (min).  
 test temperature=230°C±10°C  
 test time= 3sec±0.5sec.

OBSOLETE	120.00	24	2	1776280-4
OBSOLETE	115.00	23	2	1776280-3
OBSOLETE	110.00	22	2	1776280-2
OBSOLETE	105.00	21	2	1776280-1
OBSOLETE	100.00	20	2	1776280-0
OBSOLETE	95.00	19	1	1776280-9
OBSOLETE	90.00	18	1	1776280-8
OBSOLETE	85.00	17	1	1776280-7
OBSOLETE	80.00	16	1	1776280-6
OBSOLETE	75.00	15	1	1776280-5
OBSOLETE	70.00	14	1	1776280-4
OBSOLETE	65.00	13	1	1776280-3
OBSOLETE	60.00±0.40	12	1	1776280-2
OBSOLETE	55.00±0.40	11	1	1776280-1
OBSOLETE	50.00±0.35	10	1	1776280-0
OBSOLETE	45.00±0.30	9		1776280-9
OBSOLETE	40.00±0.30	8		1776280-8
OBSOLETE	35.00±0.25	7		1776280-7
OBSOLETE	30.00±0.25	6		1776280-6
	25.00±0.25	5		1776280-5
	20.00±0.25	4		1776280-4
OBSOLETE	15.00±0.25	3		1776280-3
OBSOLETE	10.00±0.25	2		1776280-2



1 ALL DIMENSIONS ARE IN mm.

2 NON CUMULATIVE

3 UL LOGO TO BE LOCATED APPROX AS SHOWN, MUST BE LEGIBLE.

THIS DRAWING IS A CONTROLLED DOCUMENT.		DWN	S SCHLEGEL	5/6/05	 TE Connectivity TERMINAL BLOCK, 90 DEGREE, STACKING W/ WIRE PROTECTION 5.0MM PITCH	SIZE	CAGE CODE	DRAWING NO	RESTRICTED TO	
DIMENSIONS:		CHK	C RICHARD	5/6/05		NAME	A2	00779	C=1776280	-
mm		APVD	C RICHARD	5/6/05		PRODUCT SPEC	SCALE	6:1	SHEET	1 OF 1
TOLERANCES UNLESS OTHERWISE SPECIFIED:		APPLICATION SPEC				WEIGHT	0	REV	A	
0 PLC ± -		MATERIAL		FINISH		CUSTOMER DRAWING				
1 PLC ± 0.3										
2 PLC ± 0.25										
3 PLC ± -										
4 PLC ± -										
ANGLES ± 2'										

## X-ON Electronics

Largest Supplier of Electrical and Electronic Components

*Click to view similar products for [Pluggable Terminal Blocks](#) category:*

*Click to view products by [TE Connectivity](#) manufacturer:*

Other Similar products are found below :

[57.510.0053](#) [MC 1.5/ 6-ST-3.5 GY AU](#) [ET02015000J0G](#) [734-104](#) [734-302](#) [8-141-P](#) [8426620000](#) [860505](#) [860516](#) [860810](#) [GBPACX-12](#)  
[93.731.4953.0](#) [PV05-5,08-K](#) [PVP02-5,00](#) [PVP03-3,50](#) [PVP04-3,50](#) [PVS02-5,00](#) [1-1986160-3](#) [1377680000](#) [1531000000](#) [1546228-5](#)  
[ELFH16150](#) [ELFP03110](#) [ELFP10210](#) [ELFT06250](#) [ELVP03100](#) [1700101](#) [1700410](#) [1700425](#) [1702246](#) [1705229](#) [1710175](#) [1714537](#) [1717806](#)  
[1719600](#) [1728941](#) [1734692](#) [1734795](#) [1736036](#) [1740194](#) [1740291](#) [1740628](#) [1740990](#) [1746952](#) [1750207](#) [1752441](#) [1752865](#) [1754115](#)  
[1754144](#) [1756913](#)