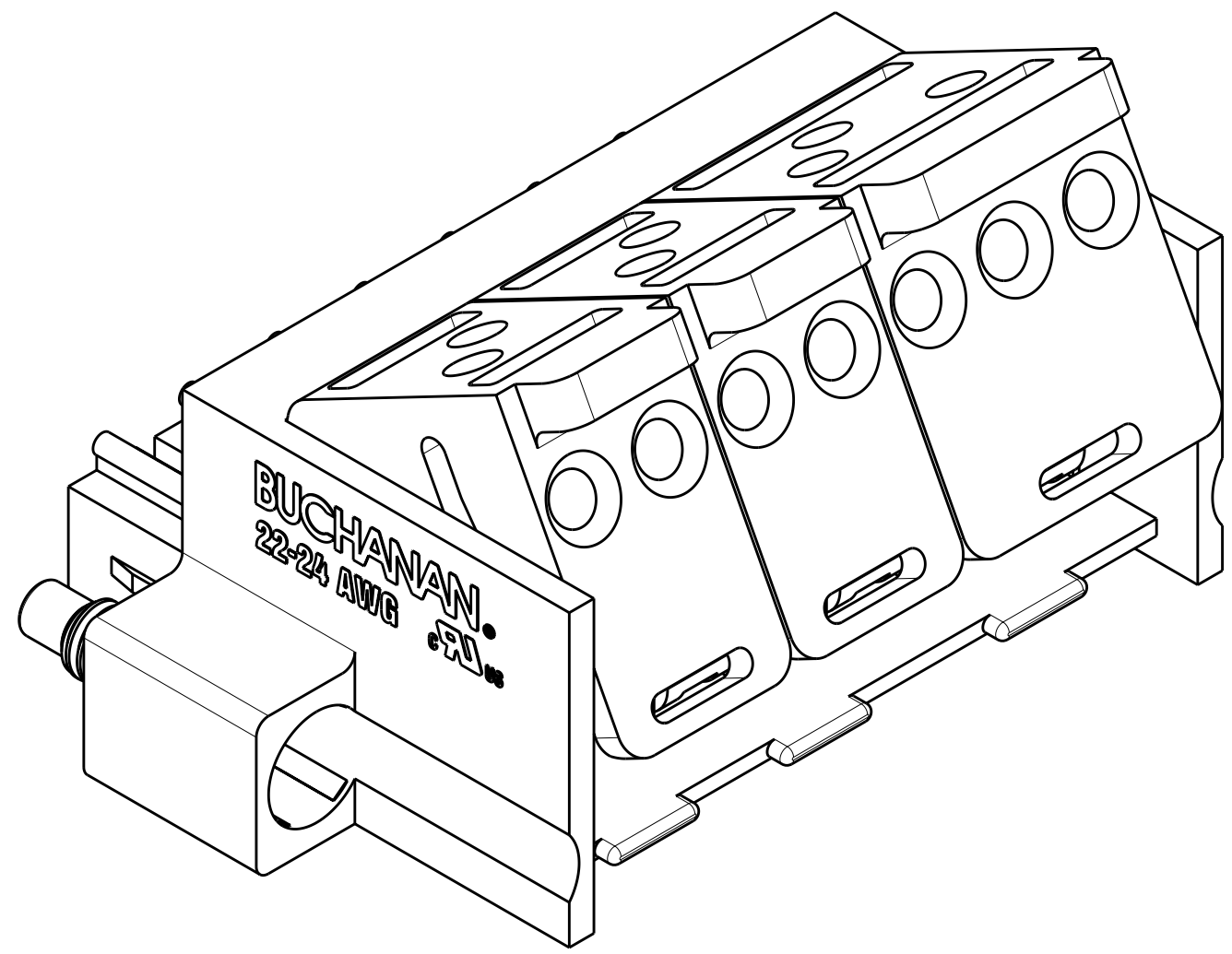
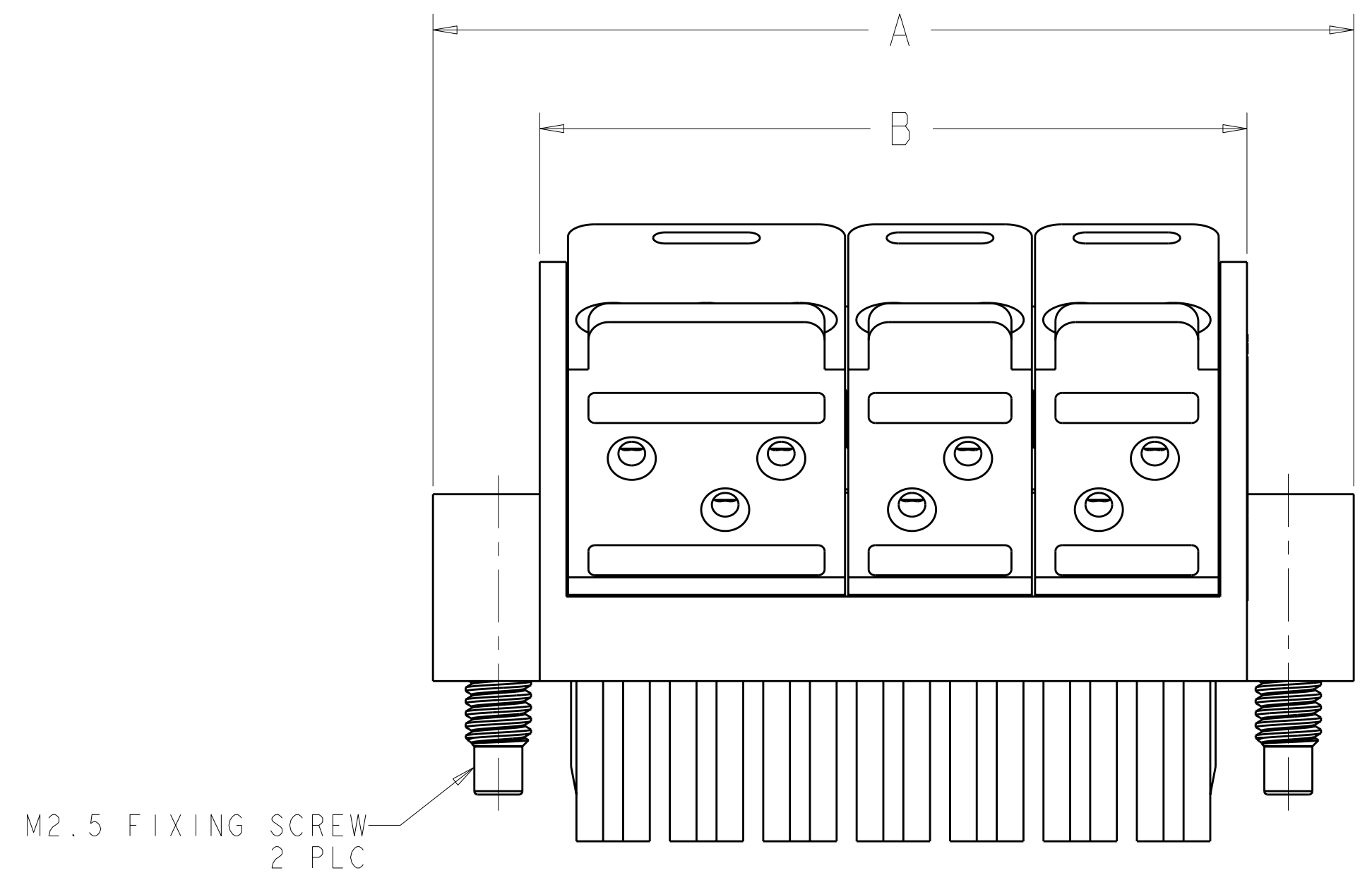
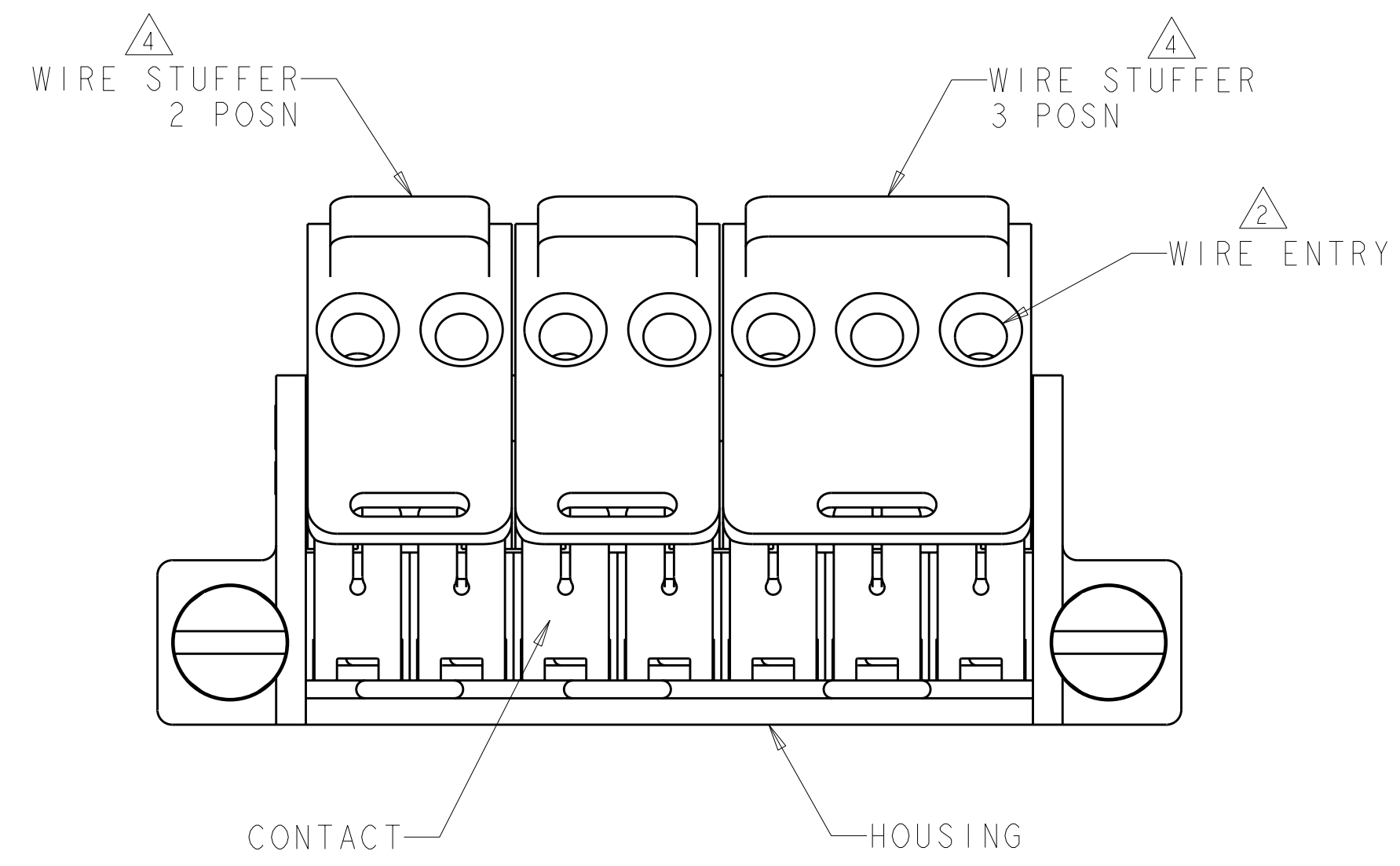
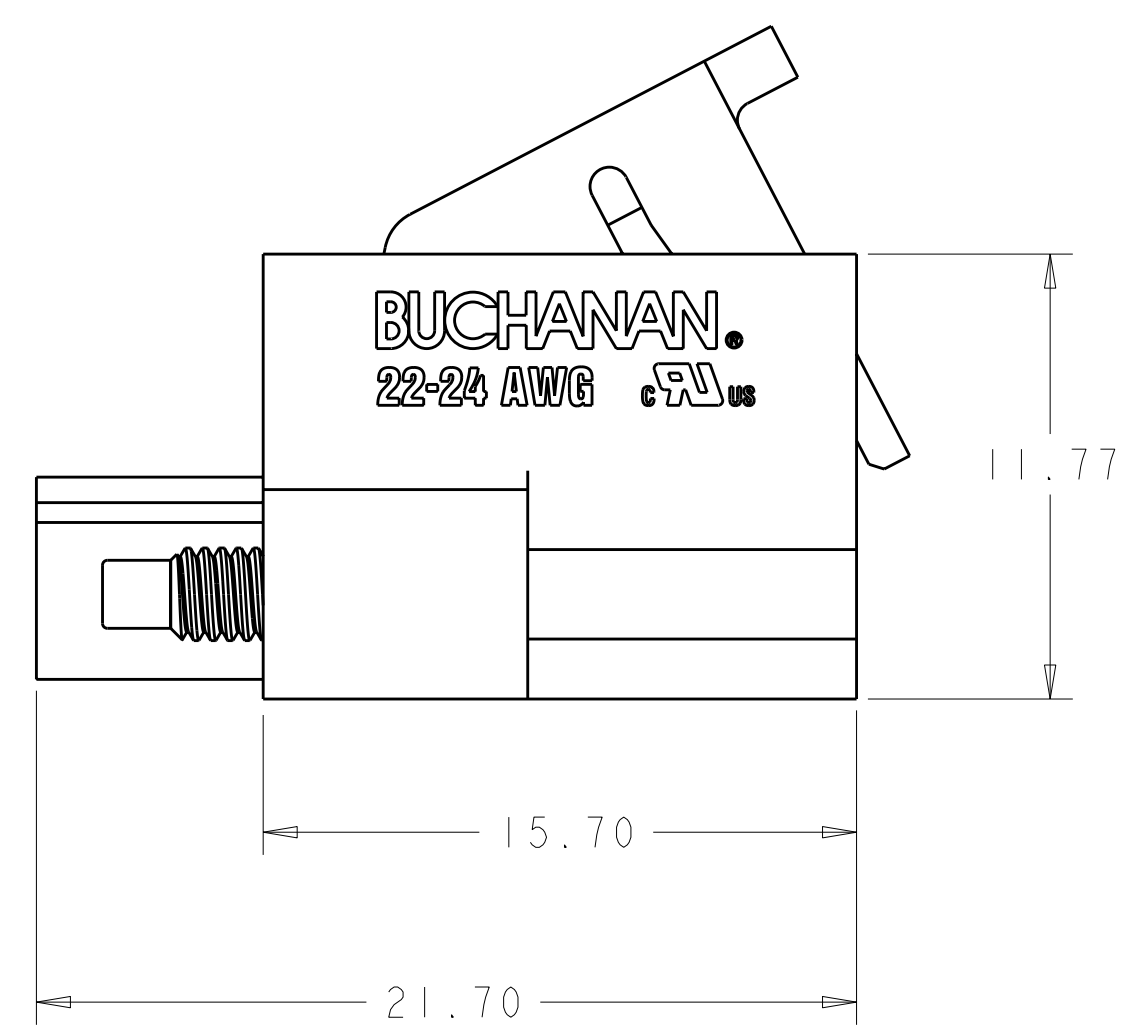
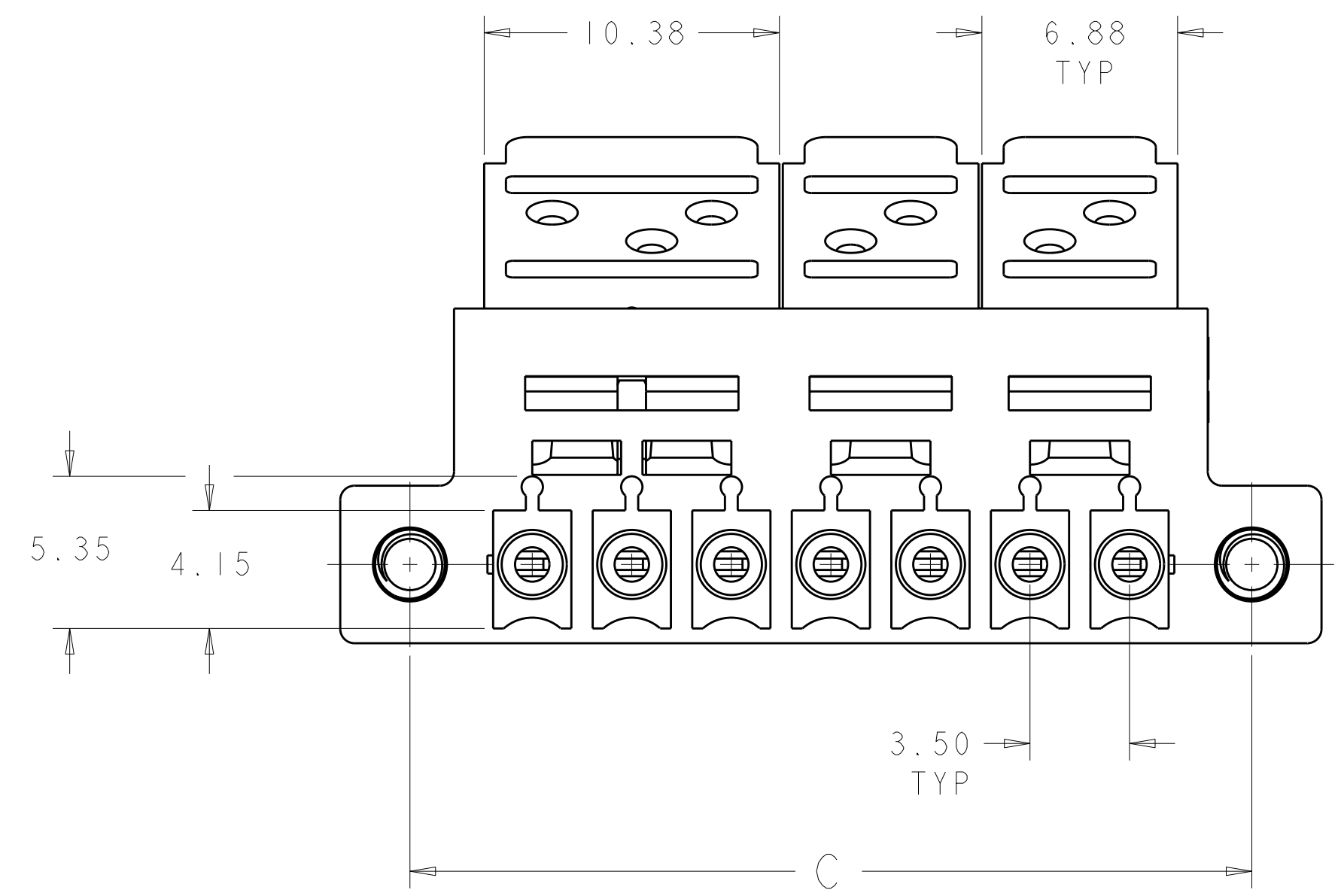


LOC	DIST	REV	DATE	BY	CHKD	APVD
FT	0	A	01DEC11	KH	MS	



OBSOLETE



- 1 MATERIAL AND FINISH:
HOUSING: POLYESTER, COLOR: GREEN.
WIRE STUFFER: POLYCARBONATE, COLOR: CLEAR.
CONTACT: COPPER ALLOY, 3.00µm MINIMUM TIN OVER 1.27µm NICKEL
SCREW: STEEL, ZINC PLATED.
- 2 EACH WIRE ENTRY ACCEPTS ONE UNSTRIPPED, STRANDED OR SOLID COPPER 22-24 AWG WIRE WITH A MINIMUM INSULATION DIAMETER OF 1.52mm. RECOMMENDED WIRE INSULATION IS PVC. CONNECTOR MAY NOT FUNCTION CORRECTLY WITH SRPVC OR ANY OTHER RIGID OR SEMI-RIGID INSULATION. CONTACT TYCO ENGINEERING FOR ALL OTHER WIRE INSULATION APPROVAL BEFORE USE.
- 3. CONNECTOR MATES WITH 3.5mm OPEN AND CLOSED-END INDUSTRY STANDARD HEADERS.
- 4 ODD POSITION ASSEMBLIES USE ONE 3 POSITION WIRE STUFFER LOCATED OVER THE LAST THREE POSITIONS AS SHOWN AND 2 POSITION WIRE STUFFERS FOR REMAINING POSITIONS.
- 5. ASSEMBLIES SHIPPED WITH WIRE STUFFERS IN THE OPEN POSITION.

61.10	58.00	66.00	16	1-1776283-6
57.60	54.50	62.50	15	1-1776283-5
54.10	51.00	59.00	14	1-1776283-4
50.60	47.50	55.50	13	1-1776283-3
47.10	44.00	52.00	12	1-1776283-2
43.60	40.50	48.50	11	1-1776283-1
40.10	37.00	45.00	10	1-1776283-0
36.60	33.50	41.50	9	1776283-9
33.10	30.00	38.00	8	1776283-8
29.60	26.50	34.50	7	1776283-7
26.10	23.00	31.00	6	1776283-6
22.60	19.50	27.50	5	1776283-5
19.10	16.00	24.00	4	1776283-4
15.60	12.50	20.50	3	1776283-3
12.10	9.00	17.00	2	1776283-2
C	B	A	NO OF POSN	PART NUMBER

THIS DRAWING IS A CONTROLLED DOCUMENT.

DIMENSIONS: mm
 TOLERANCES UNLESS OTHERWISE SPECIFIED:
 0 PLC ±0.5
 1 PLC ±0.13
 2 PLC ±0.000
 3 PLC ±0.000
 4 PLC ±0.000
 ANGLES ±0.000
 FINISH:

DWG: S. WELDON 18MAR2005
 CHK: C. RICHARD 18MAR2005
 APVD: C. RICHARD 18MAR2005

STE TE Connectivity
 NAME: PIVOT BLOCK ASSEMBLY, W/ SCREW FLANGE, 22-24 AWG, GREEN, 3.5mm
 SIZE: CAGE CODE DRAWING NO: A100779 C=1776283
 SCALE: 5:1 SHEET 1 OF 1 REV A

X-ON Electronics

Largest Supplier of Electrical and Electronic Components

Click to view similar products for [Fixed Terminal Blocks](#) category:

Click to view products by [TE Connectivity](#) manufacturer:

Other Similar products are found below :

[00175820202](#) [MBE-1512](#) [MBE-1520](#) [MBE-154](#) [MBE-156](#) [MBES-1510](#) [MBES-153](#) [MBES-156](#) [MH-2512](#) [MHE-132](#) [MHE-133](#) [MHE-163](#)
[MI-254 \(35\)](#) [MI-272](#) [8739](#) [880507](#) [880508](#) [MPT-275](#) [1546551-6](#) [BA311TU](#) [BA411SU](#) [MV-152](#) [MV-253/NCNOC](#) [MV-254-D](#) [MV-255](#)
[MV-462](#) [MV-472](#) [MV-493](#) [MVE-252](#) [MVE-253](#) [MVE-258](#) [MVE-273](#) [MVEB-153](#) [1700096](#) [1702246](#) [1705142](#) [1712417](#) [1713020](#) [1713088](#)
[1745195](#) [1760594](#) [1776118-2](#) [1790852](#) [1-796689-8](#) [1-796692-6](#) [1800001](#) [1800114](#) [1823215](#) [1838462](#) [1849079](#)