

THIS DRAWING IS UNPUBLISHED.

RELEASED FOR PUBLICATION

© COPYRIGHT - By -

ALL RIGHTS RESERVED.

REVISIONS

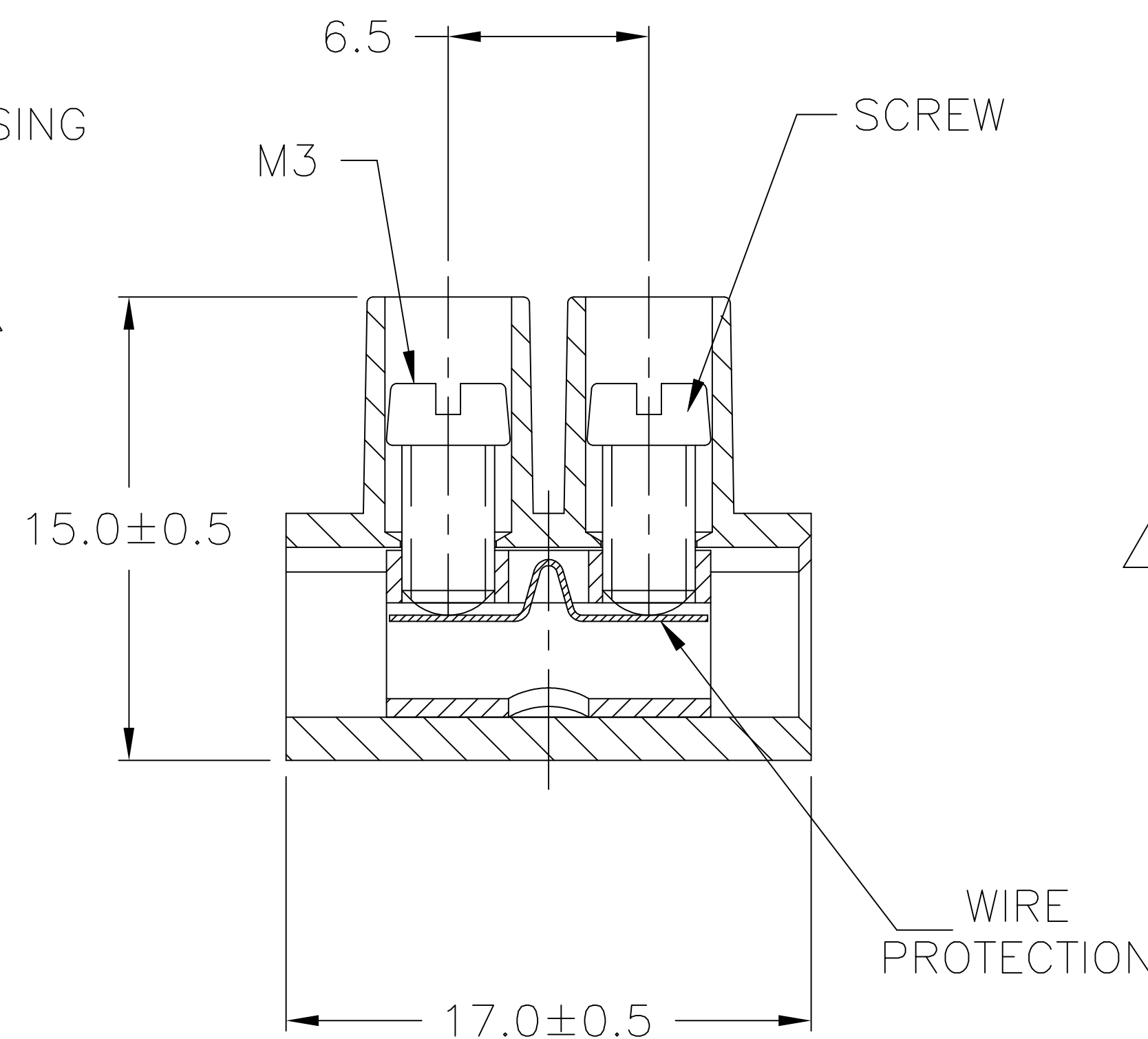
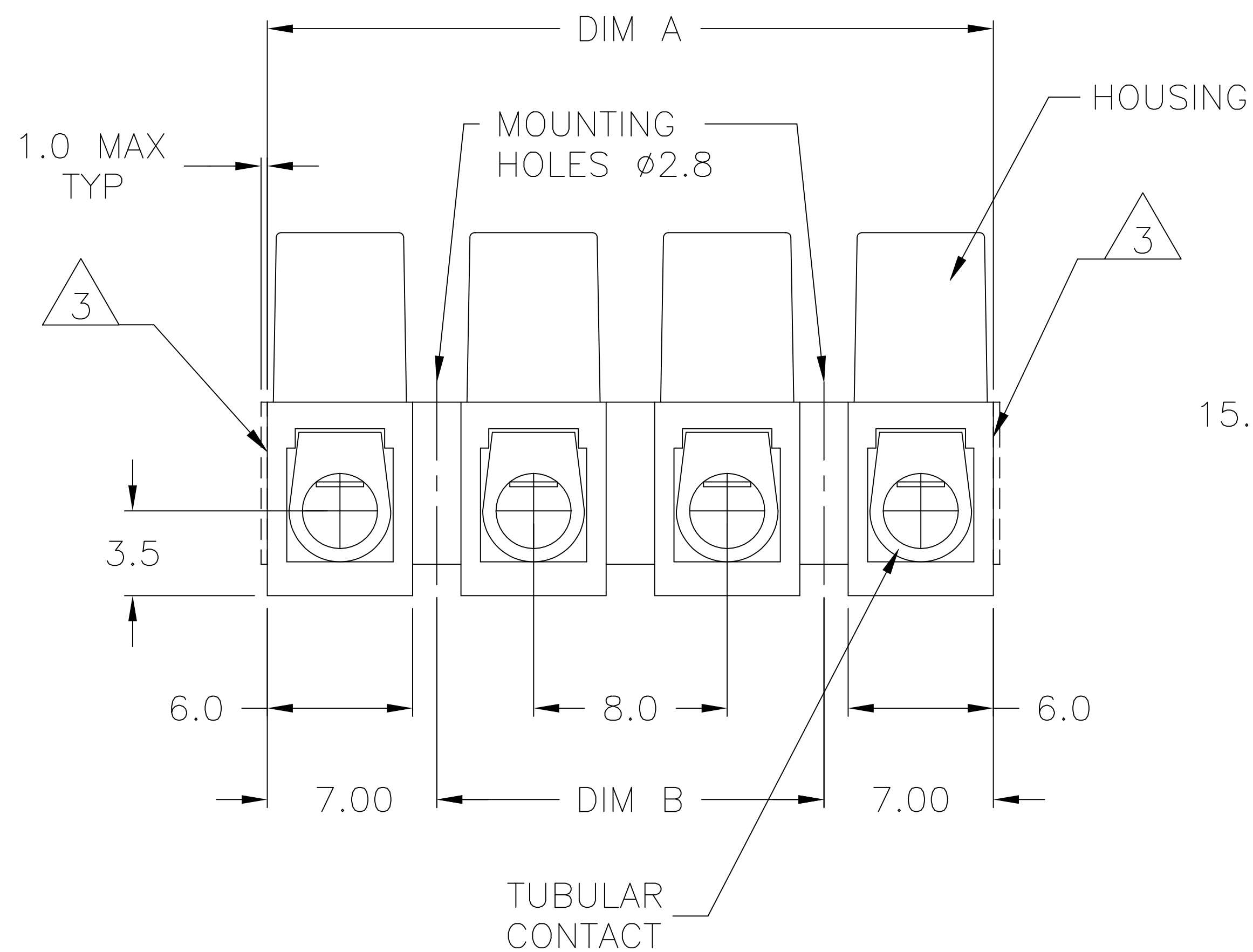
P	LTR	DESCRIPTION	DATE	DWN	APVD
P1		CUTTING BURR DETAILS ADDED	15NOV2018	RK	PS

- MATERIAL:  
HOUSING: POLYAMIDE 6 UL94V-2.  
COLOR: NATURAL (OFF WHITE)  
TUBULAR CONTACT: BRASS TIN PLATED.  
SCREW: STEEL M3 ZINC W/ NON-HEXAVALENT CHROMATE (CHROME III).  
WIRE PROTECTOR: STAINLESS STEEL

- ELECTRICAL:  
UL/CSA  
CURRENT RATING: 30A, 250V.  
WIRE RANGE: 12-22 AWG.  
VDE  
CURRENT RATING:  
TO EN60 598: 16A  
TO EN60 998: 24A  
CONDUCTOR SIZE: UP TO 1.5 mm<sup>2</sup>

3 CUTTING PROJECTION CAN BE ON BOTH SIDES DEPENDING ON CUTTING LOCATION

- CUTTING BURR MAX. 1mm ALLOWED.



1776293-4 AS SHOWN

OBSOLETE

80.0	94.0±1.0	12	TSB23012DS	1-1776293-2
72.0	86.0±0.7	11	TSB23011DS	1-1776293-1
64.0	78.0±0.7	10	TSB23010DS	1-1776293-0
56.0	70.0±0.7	9	TSB23009DS	1776293-9
48.0	62.0±0.7	8	TSB23008DS	1776293-8
40.0	54.0±0.7	7	TSB23007DS	1776293-7
32.0	46.0±0.7	6	TSB23006DS	1776293-6
24.0	38.0±0.5	5	TSB23005DS	1776293-5
16.0	30.0±0.5	4	TSB23004DS	1776293-4
8.0	22.0±0.5	3	TSB23003DS	1776293-3
-	14.0±0.5	2	TSB23002DS	1776293-2
-	6.0±0.3	1	TSB23001DS	1776293-1
DIM B	DIM A	NO POSN	CATALOG NUMBER	TE PART NUMBER

THIS DRAWING IS A CONTROLLED DOCUMENT.

DWN S SCHLEGEL 3/18/05

CHK C RICHARD 3/18/05

APVD C RICHARD 3/18/05

PRODUCT SPEC

APPLICATION SPEC

WEIGHT

CUSTOMER DRAWING



TE Connectivity Ltd.

EUROPA TERMINAL BLOCK W/WIRE PROTECTOR MOUNTING HOLES 2.8 DIA., 8.0mm PITCH

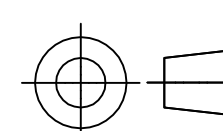
SIZE CAGE CODE DRAWING NO RESTRICTED TO

A3 00779 C=1776293

SCALE NTS SHEET 1 of 1 REV P1

DIMENSIONS: mm

TOLERANCES UNLESS OTHERWISE SPECIFIED:



- 0 PLC ± -
- 1 PLC ± 0.3
- 2 PLC ± 0.25
- 3 PLC ± -
- 4 PLC ± -
- ANGLES ± 2'

MATERIAL SEE NOTES

FINISH SEE NOTES

## X-ON Electronics

Largest Supplier of Electrical and Electronic Components

*Click to view similar products for [Barrier Terminal Blocks](#) category:*

*Click to view products by [TE Connectivity](#) manufacturer:*

Other Similar products are found below :

[CR151D20104](#) [670A-RZ-15-KT20](#) [6C1N03](#) [6PCR-02](#) [6PCR-02-008](#) [6PCR-05-008](#) [6PCR-08-008](#) [6PCR-09-008](#) [6PCR-13-006](#) [6PCR-15-006](#) [6PCR-21-006](#) [6PCV-06-008](#) [6PCV-06-716](#) [6PCV-09-001](#) [6PCV-10-009](#) [6PCV-15-008](#) [6PCV-17-1206](#) [6PCV-20-323](#) [6PCV-20-720](#) [6PCV-30-006](#) [6STR-06-006](#) [6STR-08-006](#) [6STR-12-008](#) [6STR-13-006](#) [6STR-14-008](#) [6STR-16-008](#) [6STR-17-008](#) [6STR-21-008](#) [6STR-25-008](#) [6STR-27-008](#) [6STV-03-006](#) [6STV-03-008](#) [6STV-04-006](#) [6STV-09-006](#) [6STV-10-006](#) [6WWR-03-693](#) [6WWV-12-008](#) [72212603](#) [72504-C-50](#) [72506-C](#) [72507-C-50](#) [73203](#) [75505-C](#) [75505-C-50](#) [75510-C](#) [77010-50](#) [7C1N08](#) [812-GP-3/4ST-09](#) [8-1437402-5](#) [8-1437402-7](#)