

THIS DRAWING IS UNPUBLISHED.

RELEASED FOR PUBLICATION

© COPYRIGHT - TE Connectivity Ltd.

ALL RIGHTS RESERVED.

REVISIONS

P	LTR	DESCRIPTION	DATE	DWN	APVD
P		CUTTING BURR DETAILS ADDED	20NOV2018	RK	PS

- MATERIALS:  
HOUSING: POLYAMIDE 6, UL94V-2.  
COLOR: NATURAL.  
TUBULAR CONTACT: BRASS, TIN PLATED.  
SCREW: M3, STEEL, ZINC PLATED W/ NON-HEXAVALENT CHROMATE (CHROME III).

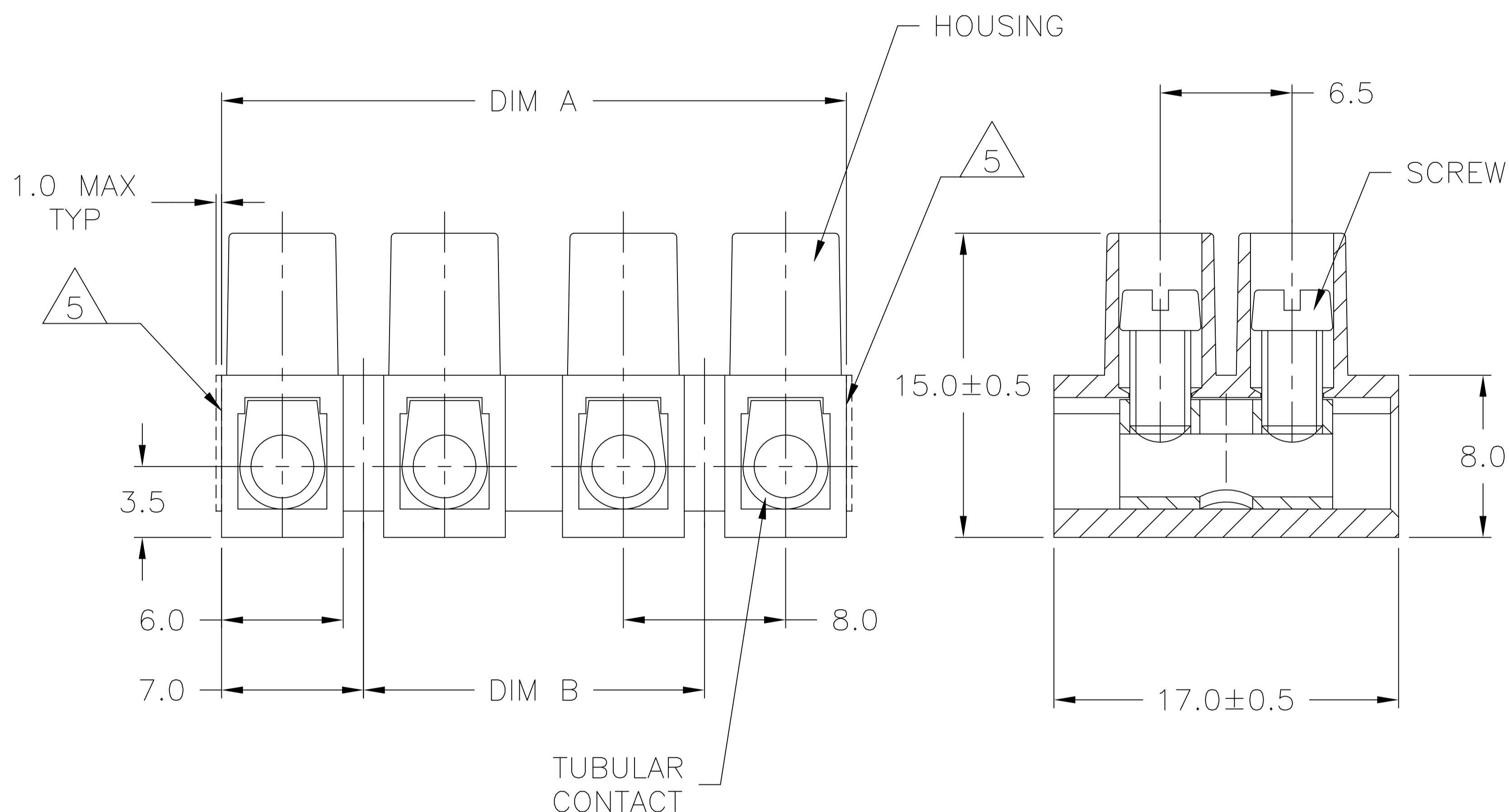
- MECHANICAL:  
PITCH: 8.0mm  
WIRE STRIP LENGTH: 5mm  
MIN. WIRE PULL OUT: 75 LBS.  
RECOMMENDED TIGHTENING TORQUE: 5 IN-LB.

- ELECTRICAL PROPERTIES:  
MAXIMUM CURRENT: 30A  
OPERATING VOLTAGE: 250V  
WIRE RANGE: 12-24 AWG  
DIELECTRIC WITHSTAND: 3000V

- ENVIRONMENTAL PROPERTIES:  
CONTINUOUS WORKING TEMP: -35°C TO +100°C

5 CUTTING PROJECTION CAN BE ON BOTH SIDES DEPENDING ON CUTTING LOCATION.

- CUTTING BURR MAX. 1mm ALLOWED.



1776294-4 AS SHOWN

	80.0	94.0±1.0	12	TSB230 12	1-1776294-2
OBSOLETE	72.0	86.0±0.7	11	TSB230 11	-
	64.0	78.0±0.7	10	TSB230 10	1-1776294-0
	56.0	70.0±0.7	9	TSB230 09	1776294-9
	48.0	62.0±0.7	8	TSB230 08	1776294-8
OBSOLETE	40.0	54.0±0.7	7	TSB230 07	-
	32.0	46.0±0.7	6	TSB230 06	1776294-6
	24.0	38.0±0.5	5	TSB230 05	1776294-5
	16.0	30.0±0.5	4	TSB230 04	1776294-4
	8.0	22.0±0.5	3	TSB230 03	1776294-3
	-	14.0±0.5	2	TSB230 02	1776294-2
	-	6.0±0.3	1	TSB230 01	1776294-1
	DIM B	DIM A	NO. OF POS.	CATALOG NUMBER	TE PART NUMBER

THIS DRAWING IS A CONTROLLED DOCUMENT.		DWN	S SCHLEGEL	3/18/05	 TE Connectivity Ltd.												
DIMENSIONS: mm		CHK	C RICHARD	3/18/05													
TOLERANCES UNLESS OTHERWISE SPECIFIED:		APVD	C RICHARD	3/18/05													
<table border="0"> <tr><td>0 PLC</td><td>± -</td></tr> <tr><td>1 PLC</td><td>± 0.3</td></tr> <tr><td>2 PLC</td><td>± 0.25</td></tr> <tr><td>3 PLC</td><td>± -</td></tr> <tr><td>4 PLC</td><td>± -</td></tr> <tr><td>ANGLES</td><td>± -</td></tr> </table>		0 PLC	± -	1 PLC		± 0.3	2 PLC	± 0.25	3 PLC	± -	4 PLC	± -	ANGLES	± -	PRODUCT SPEC		NAME
0 PLC	± -																
1 PLC	± 0.3																
2 PLC	± 0.25																
3 PLC	± -																
4 PLC	± -																
ANGLES	± -																
MATERIAL		FINISH		WEIGHT	SIZE	CAGE CODE	DRAWING NO	RESTRICTED TO									
SEE NOTES		SEE NOTES		-	A3	00779	©=1776294	-									
CUSTOMER DRAWING				SCALE	NTS	SHEET	1 OF 1	REV	P								

## X-ON Electronics

Largest Supplier of Electrical and Electronic Components

*Click to view similar products for [Barrier Terminal Blocks](#) category:*

*Click to view products by [TE Connectivity](#) manufacturer:*

Other Similar products are found below :

[CR151D20104](#) [670A-RZ-15-KT20](#) [6C1N03](#) [6PCR-02](#) [6PCR-02-008](#) [6PCR-05-008](#) [6PCR-08-008](#) [6PCR-09-008](#) [6PCR-13-006](#) [6PCR-15-006](#) [6PCR-21-006](#) [6PCV-06-008](#) [6PCV-06-716](#) [6PCV-09-001](#) [6PCV-10-009](#) [6PCV-15-008](#) [6PCV-17-1206](#) [6PCV-20-323](#) [6PCV-20-720](#) [6PCV-30-006](#) [6STR-06-006](#) [6STR-08-006](#) [6STR-12-008](#) [6STR-13-006](#) [6STR-14-008](#) [6STR-16-008](#) [6STR-17-008](#) [6STR-21-008](#) [6STR-25-008](#) [6STR-27-008](#) [6STV-03-006](#) [6STV-03-008](#) [6STV-04-006](#) [6STV-09-006](#) [6STV-10-006](#) [6WWR-03-693](#) [6WWV-12-008](#) [72212603](#) [72504-C-50](#) [72506-C](#) [72507-C-50](#) [73203](#) [75505-C](#) [75505-C-50](#) [75510-C](#) [77010-50](#) [7C1N08](#) [812-GP-3/4ST-09](#) [8-1437402-5](#) [8-1437402-7](#)