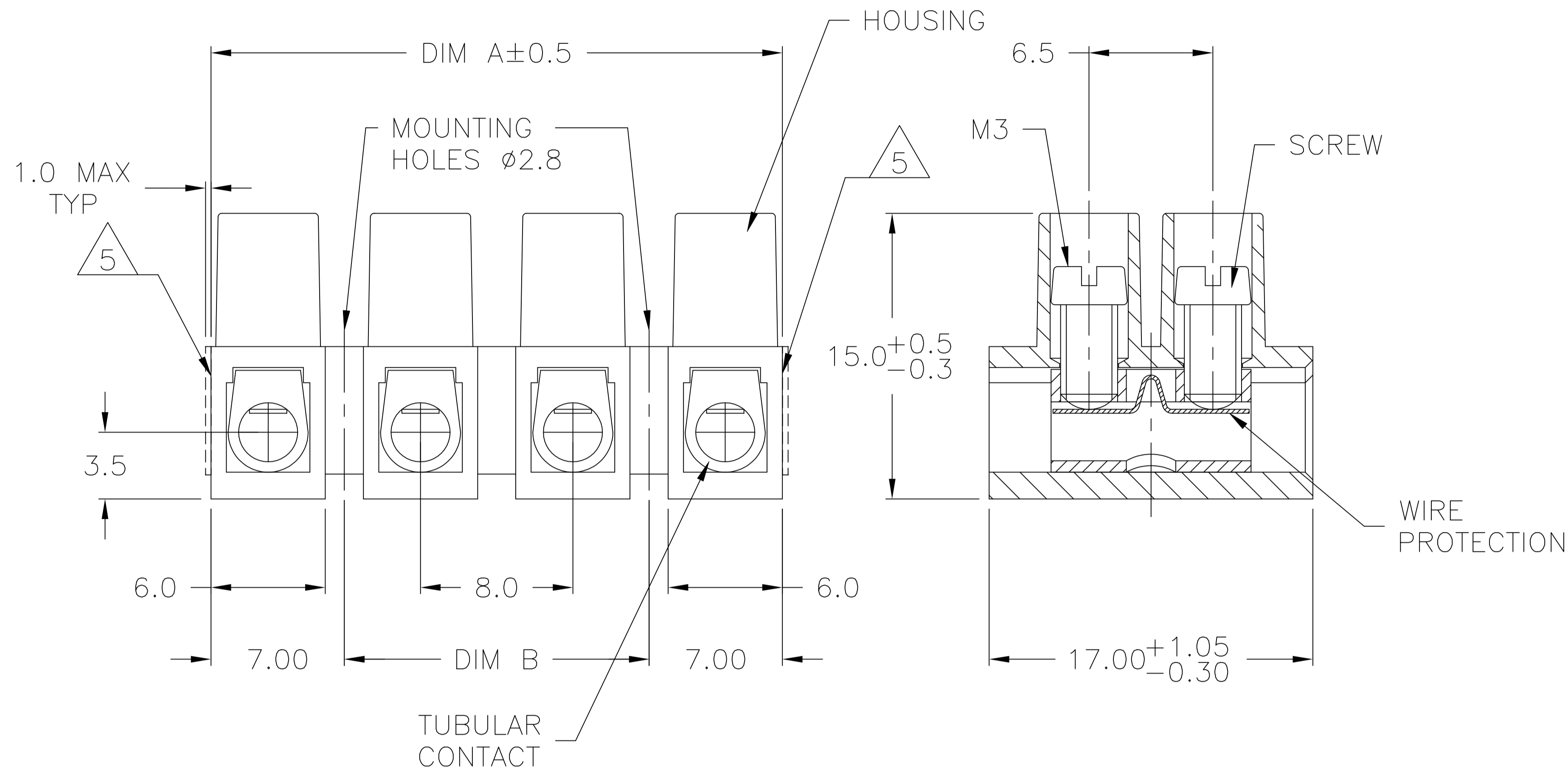
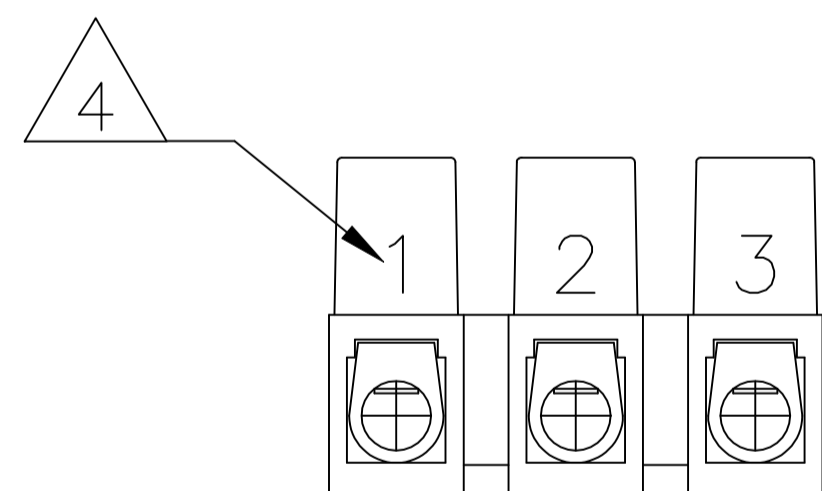


REVISIONS

P	LTR	DESCRIPTION	DATE	DWN	APVD
P		CUTTING BURR DETAILS ADDED	19NOV2018	RK	PS



- MATERIAL:
HOUSING: POLYAMIDE 6 UL94V-0.
COLOR: BROWN.
TUBULAR CONTACT: BRASS TIN PLATED.
SCREW: STEEL M3 ZINC W/ NON-HEXAVALENT CHROMATE (CHROME III).
WIRE PROTECTOR: STAINLESS STEEL.
- ELECTRICAL:
CURRENT RATING: 30A.
OPERATING VOLTAGE: 250V.
WIRE RANGE: 12-26 AWG.
- ENVIRONMENTAL:
CONTINUOUS WORKING TEMP.: -35°C TO +150°C.
- MARKED WITH PERMANENT INK.
- CUTTING PROJECTION CAN BE ON BOTH SIDES DEPENDING ON CUTTING LOCATION.
- CUTTING BURR MAX. 1mm ALLOWED.



1-1779295-3

1776295-4 AS SHOWN

	DIM B	DIM A	NO. POSN	CATALOG NUMBER	TE PART NUMBER
	8.0	22.0	3	TSB23003DS HT	1-1776295-3
	80.0	94.0	12	TSB23012DS HT	1-1776295-2
	72.0	86.0	11	TSB23011DS HT	1-1776295-1
OBSOLETE	64.0	78.0	10	TSB23010DS HT	1-1776295-0
	56.0	70.0	9	TSB23009DS HT	1776295-9
	48.0	62.0	8	TSB23008DS HT	1776295-8
	40.0	54.0	7	TSB23007DS HT	1776295-7
	32.0	46.0	6	TSB23006DS HT	1776295-6
	24.0	38.0	5	TSB23005DS HT	1776295-5
	16.0	30.0	4	TSB23004DS HT	1776295-4
	8.0	22.0	3	TSB23003DS HT	1776295-3
	-	14.0	2	TSB23002DS HT	1776295-2
	-	6.0	1	TSB23001DS HT	1776295-1

THIS DRAWING IS A CONTROLLED DOCUMENT.		DWN S SCHLEGEL 3/18/05	TE Connectivity Ltd.		
DIMENSIONS: mm		CHK C RICHARD 3/18/05			
TOLERANCES UNLESS OTHERWISE SPECIFIED:		APVD C RICHARD 3/18/05	NAME HIGH TEMP EUROPA TERMINAL BLOCK W/WIRE PROTECTOR MOUNTING HOLES 2.8DIA 8.0mm PITCH		
0 PLC ± - 1 PLC ± 0.3 2 PLC ± 0.25 3 PLC ± - 4 PLC ± - ANGLES ± 2°		PRODUCT SPEC -	RESTRICTED TO -		
MATERIAL SEE NOTES		FINISH SEE NOTES	APPLICATION SPEC -	WEIGHT -	SIZE A3
CUSTOMER DRAWING			SCALE NTS	DRAWING NO 000779	DWG NO C=1776295
			SHEET 1 of 1	REV P	

X-ON Electronics

Largest Supplier of Electrical and Electronic Components

Click to view similar products for [Barrier Terminal Blocks](#) category:

Click to view products by [TE Connectivity](#) manufacturer:

Other Similar products are found below :

[CR151D20104](#) [670A-RZ-15-KT20](#) [6C1N03](#) [6PCR-02](#) [6PCR-02-008](#) [6PCR-05-008](#) [6PCR-08-008](#) [6PCR-09-008](#) [6PCR-13-006](#) [6PCR-15-006](#) [6PCR-21-006](#) [6PCV-06-008](#) [6PCV-06-716](#) [6PCV-09-001](#) [6PCV-10-009](#) [6PCV-15-008](#) [6PCV-17-1206](#) [6PCV-20-323](#) [6PCV-20-720](#) [6PCV-30-006](#) [6STR-06-006](#) [6STR-08-006](#) [6STR-12-008](#) [6STR-13-006](#) [6STR-14-008](#) [6STR-16-008](#) [6STR-17-008](#) [6STR-21-008](#) [6STR-25-008](#) [6STR-27-008](#) [6STV-03-006](#) [6STV-03-008](#) [6STV-04-006](#) [6STV-09-006](#) [6STV-10-006](#) [6WWR-03-693](#) [6WWV-12-008](#) [72212603](#) [72504-C-50](#) [72506-C](#) [72507-C-50](#) [73203](#) [75505-C](#) [75505-C-50](#) [75510-C](#) [77010-50](#) [7C1N08](#) [812-GP-3/4ST-09](#) [8-1437402-5](#) [8-1437402-7](#)