

THIS DRAWING IS UNPUBLISHED.

RELEASED FOR PUBLICATION

© COPYRIGHT - TE Connectivity Ltd.

ALL RIGHTS RESERVED.

REVISIONS

| P | LTR | DESCRIPTION | DATE | DWN | APVD |
|---|-----|----------------------------|-----------|-----|------|
| P | | CUTTING BURR DETAILS ADDED | 20NOV2018 | RK | PS |

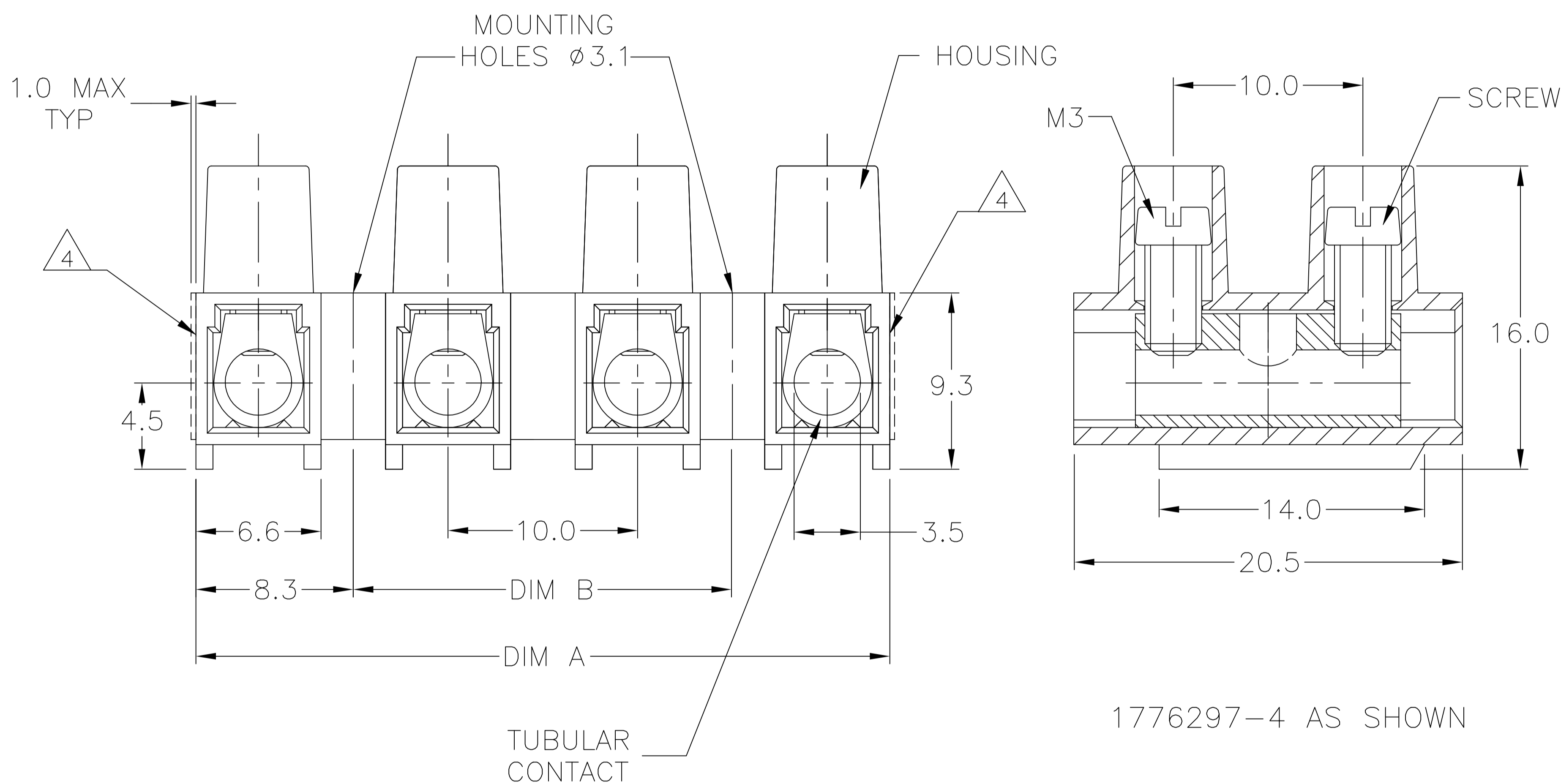
- MATERIAL:
HOUSING: POLYAMIDE 6, UL94V-2.
COLOR: NATURAL (OFF WHITE)
CONTACT: BRASS, TIN PLATED.
SCREW: M3, STEEL, ZINC PLATED W/ NON-HEXAVALENT CHROMATE (CHROME III).

- ELECTRICAL:
CURRENT RATING: 30A.
OPERATING VOLTAGE: 250V.
WIRE RANGE: 10-22 AWG.
DIELECTRIC WITHSTAND: 3500V.

- ENVIRONMENT:
CONTINUOUS WORKING TEMP.: -35°C TO +100°C

4 CUTTING PROJECTION CAN BE ON BOTH SIDES DEPENDING ON CUTTING LOCATION

- CUTTING BURR MAX. 1mm ALLOWED.



1776297-4 AS SHOWN

| 100.0 | 116.6 | 12 | TSB500 1231 | 1-1776297-2 |
|-------|-------|-------------|----------------|----------------|
| 90.0 | 106.6 | 11 | TSB500 1131 | 1-1776297-1 |
| 80.0 | 96.6 | 10 | TSB500 1031 | 1-1776297-0 |
| 70.0 | 86.6 | 9 | TSB500 0931 | 1776297-9 |
| 60.0 | 76.6 | 8 | TSB500 0831 | 1776297-8 |
| 50.0 | 66.6 | 7 | TSB500 0731 | 1776297-7 |
| 40.0 | 56.6 | 6 | TSB500 0631 | 1776297-6 |
| 30.0 | 46.6 | 5 | TSB500 0531 | 1776297-5 |
| 20.0 | 36.6 | 4 | TSB500 0431 | 1776297-4 |
| 10.0 | 26.6 | 3 | TSB500 0331 | 1776297-3 |
| - | 16.6 | 2 | TSB500 0231 | 1776297-2 |
| - | 6.6 | 1 | TSB500 0131 | 1776297-1 |
| DIM B | DIM A | NO. OF POS. | CATALOG NUMBER | TE PART NUMBER |

| | | | | |
|---|--|------------------------|---|-------|
| THIS DRAWING IS A CONTROLLED DOCUMENT. | | DWN S SCHLEGEL 3/18/05 | TE Connectivity Ltd. | |
| DIMENSIONS: mm | | CHK C RICHARD 3/18/05 | | |
| TOLERANCES UNLESS OTHERWISE SPECIFIED: | | APVD C RICHARD 3/18/05 | NAME EUROPA TERMINAL BLOCK, 10.0mm PITCH, MOUNTING HOLES 3.1 DIA | |
| 0 PLC ± - 1 PLC ± 0.3 2 PLC ± 0.25 3 PLC ± - 4 PLC ± - ANGLES ± 2' | | PRODUCT SPEC - | | |
| MATERIAL SEE NOTES | | FINISH SEE NOTES | APPLICATION SPEC - WEIGHT - SIZE A3 CAGE CODE 00779 ©=1776297 | |
| | | CUSTOMER DRAWING | RESTRICTED TO - | |
| | | SCALE NTS | SHEET 1 OF 1 | REV P |

X-ON Electronics

Largest Supplier of Electrical and Electronic Components

Click to view similar products for [Barrier Terminal Blocks](#) category:

Click to view products by [TE Connectivity](#) manufacturer:

Other Similar products are found below :

[6C1N03](#) [6PCR-02-008](#) [6PCR-05-008](#) [6PCR-08-008](#) [6PCR-21-006](#) [6PCV-06-008](#) [6PCV-10-009](#) [6PCV-15-008](#) [6STR-06-006](#) [6STR-08-006](#)
[6STR-12-008](#) [6STR-14-008](#) [6STR-16-008](#) [6STR-17-008](#) [6STR-21-008](#) [6STR-25-008](#) [6STR-27-008](#) [6STV-03-006](#) [6STV-03-008](#) [6STV-04-006](#) [6STV-10-006](#) [6WWR-03](#) [6WWV-12-008](#) [6WWV-16-008](#) [7-1546701-0](#) [72212603](#) [72503-C](#) [72504-C-50](#) [73203](#) [76007](#) [7604-501LF](#)
[77010-50](#) [796985-3](#) [796988-4](#) [7C1N08](#) [8-1437402-5](#) [8-1437402-7](#) [8-1546158-0](#) [870505](#) [870903](#) [8PCR-06-006](#) [8PCV-02-008](#) [8PCV-05-008](#)
[8PCV-09-006](#) [8PCV-15-006](#) [8PCV-17-006](#) [8QCR-03-008](#) [8STV-04-006](#) [9-1437402-3](#) [A103104](#)