

4

3

2

1

THIS DRAWING IS UNPUBLISHED.

RELEASED FOR PUBLICATION

-- --

REVISIONS

© COPYRIGHT - By -

ALL RIGHTS RESERVED.

P	LTR	DESCRIPTION	DATE	DWN	APVD
	P1	CUTTING BURR DETAILS ADDED	15NOV2018	RK	PS

1. MATERIAL:  
 HOUSING: POLYAMIDE 6/6, GRAY, HANDLE BLACK.  
 INSERTS: BRASS, TIN PLATED.  
 CONTACTS FOR FUSES: STAINLESS SPRING STEEL.  
 SCREWS: M3, STEEL, ZINC PLATED, NON-HEXAVALENT CHROMATE (CHROME III).

2. VOLTAGE RATING:  
 FUSE HOLDERS: 250V  
 TERMINAL BLOCKS: 400V

3. CURRENT RATING:  
 FUSE HOLDERS: 10A  
 TERMINAL BLOCKS: 16A

4. WIRE RANGE: 12-22 AWG

5. CUTTING PROJECTION CAN BE ON BOTH SIDES DEPENDING ON CUTTING LOCATION

6. CUTTING BURR MAX. 1mm ALLOWED.


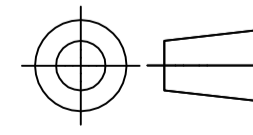
1776301-4 AS SHOWN

30.0	503SI/3EDS	2-1776301-3
DIM A	CATALOG NO.	TE PART NUMBER
WIRE PROTECTOR GROUNDED		

50.0	503SI/5E	1-1776301-5
40.0	503SI/4E	1-1776301-4
30.0	503SI/3E	1-1776301-3
DIM A	CATALOG NO.	TE PART NUMBER
TUNNEL CONNECTION GROUNDED		

50.0	503SI/5DS	1-1776301-0
40.0	503SI/4DS	1776301-9
30.0	503SI/3DS	1776301-8
20.0	503SI/2DS	1776301-7
14.3	503SI/1DS	1776301-6
DIM A	CATALOG NO.	TE PART NUMBER
WIRE PROTECTOR		

50.0	503SI/5	1776301-5
40.0	503SI/4	1776301-4
30.0	503SI/3	1776301-3
20.0	503SI/2	1776301-2
14.3	503SI/1	1776301-1
DIM A	CATALOG NO.	TE PART NUMBER
TUNNEL CONNECTION		

THIS DRAWING IS A CONTROLLED DOCUMENT.		DWN	S SCHLEGEL	3/21/05	 TE Connectivity Ltd.		
DIMENSIONS: mm		CHK	S YODER	3/21/05			
		APVD	S YODER	3/21/05			
TOLERANCES UNLESS OTHERWISE SPECIFIED:		PRODUCT SPEC	-				
MATERIAL SEE NOTES		FINISH	SEE NOTES		NAME		
SEE NOTES		CUSTOMER DRAWING		WEIGHT	-		FUSED TERMINAL BLOCK
				A3 00779 ©=1776301		RESTRICTED TO	-
				SCALE	NTS	SHEET	1 of 1
						REV	P1

1470-19 (1/15)

## X-ON Electronics

Largest Supplier of Electrical and Electronic Components

*Click to view similar products for [Barrier Terminal Blocks](#) category:*

*Click to view products by [TE Connectivity](#) manufacturer:*

Other Similar products are found below :

[CR151D20104](#) [670A-RZ-15-KT20](#) [6C1N03](#) [6PCR-02](#) [6PCR-02-008](#) [6PCR-05-008](#) [6PCR-08-008](#) [6PCR-09-008](#) [6PCR-13-006](#) [6PCR-15-006](#) [6PCR-21-006](#) [6PCV-06-008](#) [6PCV-06-716](#) [6PCV-09-001](#) [6PCV-10-009](#) [6PCV-15-008](#) [6PCV-17-1206](#) [6PCV-20-323](#) [6PCV-20-720](#) [6PCV-30-006](#) [6STR-06-006](#) [6STR-08-006](#) [6STR-12-008](#) [6STR-13-006](#) [6STR-14-008](#) [6STR-16-008](#) [6STR-17-008](#) [6STR-21-008](#) [6STR-25-008](#) [6STR-27-008](#) [6STV-03-006](#) [6STV-03-008](#) [6STV-04-006](#) [6STV-09-006](#) [6STV-10-006](#) [6WWR-03-693](#) [6WWV-12-008](#) [72212603](#) [72504-C-50](#) [72506-C](#) [72507-C-50](#) [73203](#) [75505-C](#) [75505-C-50](#) [75510-C](#) [77010-50](#) [7C1N08](#) [812-GP-3/4ST-09](#) [8-1437402-5](#) [8PCR-06-006](#)