

THIS DRAWING IS UNPUBLISHED.

RELEASED FOR PUBLICATION

--

REVISIONS

© COPYRIGHT - By - ALL RIGHTS RESERVED.

P	LTR	DESCRIPTION	DATE	DWN	APVD
	P1	CUTTING BURR DETAILS ADDED	15NOV2018	RK	PS

- MATERIAL:  
HOUSING: POLYAMIDE 6/6, GRAY, HANDLE BLACK.  
INSERTS: BRASS, TIN PLATED.  
CONTACTS FOR FUSES: STAINLESS SPRING STEEL.  
SCREWS: M3, STEEL, ZINC PLATED, NON-HEXAVALENT CHROMATE (CHROME III).

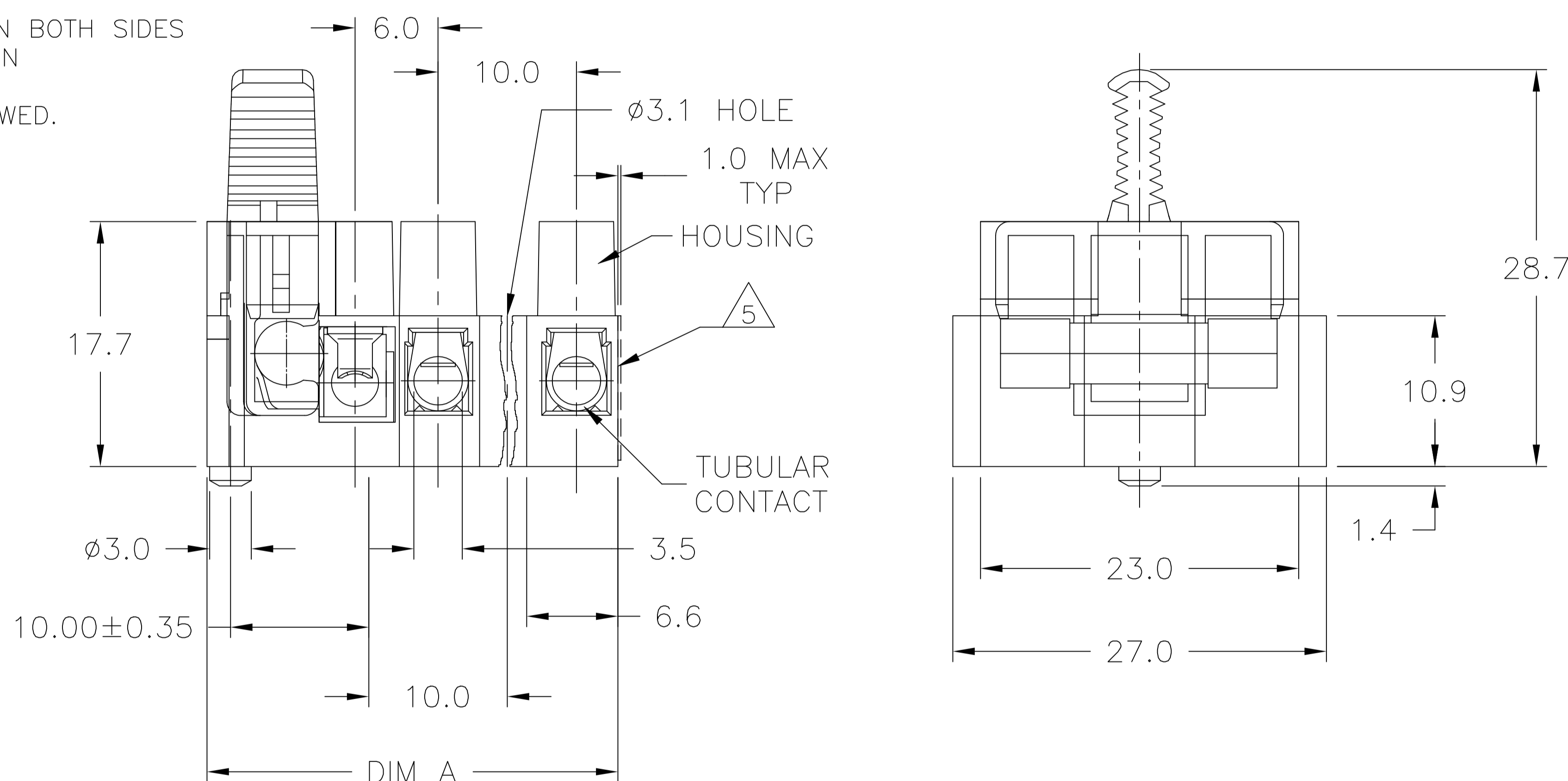
- VOLTAGE RATING:  
FUSE HOLDERS: 250V  
TERMINAL BLOCKS: 400V

- CURRENT RATING:  
FUSE HOLDERS: 10A  
TERMINAL BLOCKS: 16A

- WIRE RANGE: 12-22 AWG

5 CUTTING PROJECTION CAN BE ON BOTH SIDES DEPENDING ON CUTTING LOCATION

- CUTTING BURR MAX. 1mm ALLOWED.




1776301-4 AS SHOWN

30.0	503SI/3EDS	2-1776301-3
DIM A	CATALOG NO.	TE PART NUMBER
WIRE PROTECTOR GROUNDED		

50.0	503SI/5E	1-1776301-5
40.0	503SI/4E	1-1776301-4
30.0	503SI/3E	1-1776301-3
DIM A	CATALOG NO.	TE PART NUMBER
TUNNEL CONNECTION GROUNDED		

50.0	503SI/5DS	1-1776301-0
40.0	503SI/4DS	1776301-9
30.0	503SI/3DS	1776301-8
20.0	503SI/2DS	1776301-7
14.3	503SI/1DS	1776301-6
DIM A	CATALOG NO.	TE PART NUMBER
WIRE PROTECTOR		

50.0	503SI/5	1776301-5
40.0	503SI/4	1776301-4
30.0	503SI/3	1776301-3
20.0	503SI/2	1776301-2
14.3	503SI/1	1776301-1
DIM A	CATALOG NO.	TE PART NUMBER
TUNNEL CONNECTION		

THIS DRAWING IS A CONTROLLED DOCUMENT.		DWN S SCHLEGEL 3/21/05	 TE Connectivity Ltd.			
DIMENSIONS: mm		CHK S YODER 3/21/05				
TOLERANCES UNLESS OTHERWISE SPECIFIED:		APVD S YODER 3/21/05	NAME FUSED TERMINAL BLOCK			
0 PLC ± - 1 PLC ± 0.3 2 PLC ± 0.25 3 PLC ± - 4 PLC ± - ANGLES ± -		PRODUCT SPEC -	503SI			
MATERIAL SEE NOTES		APPLICATION SPEC -	SIZE A3	CAGE CODE 00779	DRAWING NO C=1776301	RESTRICTED TO -
FINISH SEE NOTES		WEIGHT -	CUSTOMER DRAWING		SCALE NTS	SHEET 1 of 1
					REV P1	

## X-ON Electronics

Largest Supplier of Electrical and Electronic Components

*Click to view similar products for [Barrier Terminal Blocks](#) category:*

*Click to view products by [TE Connectivity](#) manufacturer:*

Other Similar products are found below :

[6C1N03](#) [6PCR-02-008](#) [6PCR-05-008](#) [6PCR-08-008](#) [6PCR-21-006](#) [6PCV-06-008](#) [6PCV-10-009](#) [6PCV-15-008](#) [6STR-06-006](#) [6STR-08-006](#)  
[6STR-12-008](#) [6STR-14-008](#) [6STR-16-008](#) [6STR-17-008](#) [6STR-21-008](#) [6STR-25-008](#) [6STR-27-008](#) [6STV-03-006](#) [6STV-03-008](#) [6STV-04-006](#) [6STV-10-006](#) [6WWR-03](#) [6WWV-12-008](#) [6WWV-16-008](#) [7-1546701-0](#) [72212603](#) [72503-C](#) [72504-C-50](#) [73203](#) [76007](#) [7604-501LF](#)  
[77010-50](#) [796985-3](#) [796988-4](#) [7C1N08](#) [8-1437402-5](#) [8-1437402-7](#) [8-1546158-0](#) [870505](#) [870903](#) [8PCR-06-006](#) [8PCV-02-008](#) [8PCV-05-008](#)  
[8PCV-09-006](#) [8PCV-15-006](#) [8PCV-17-006](#) [8QCR-03-008](#) [8STV-04-006](#) [9-1437402-3](#) [A103104](#)