

THIS DRAWING IS UNPUBLISHED.

RELEASED FOR PUBLICATION

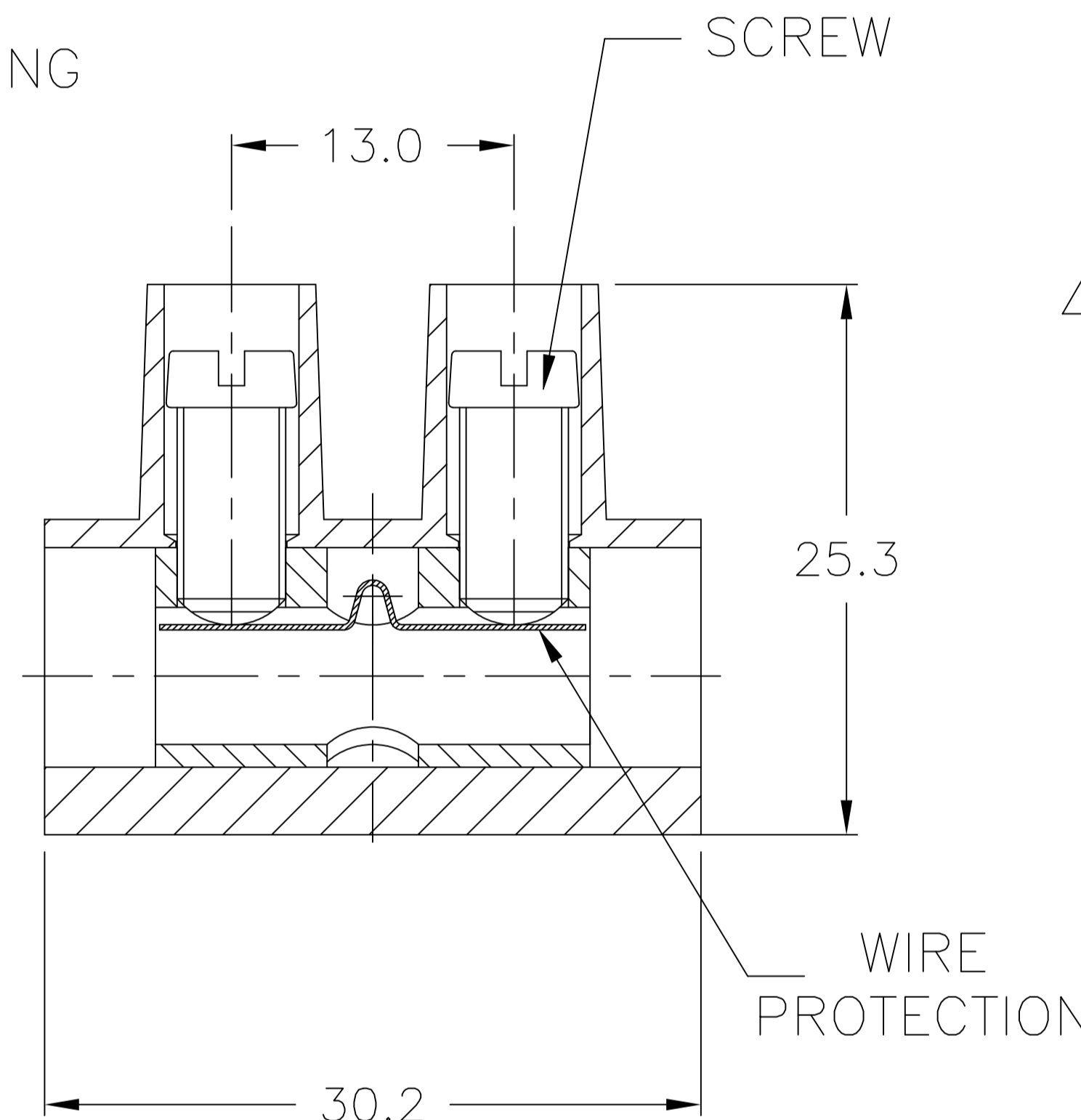
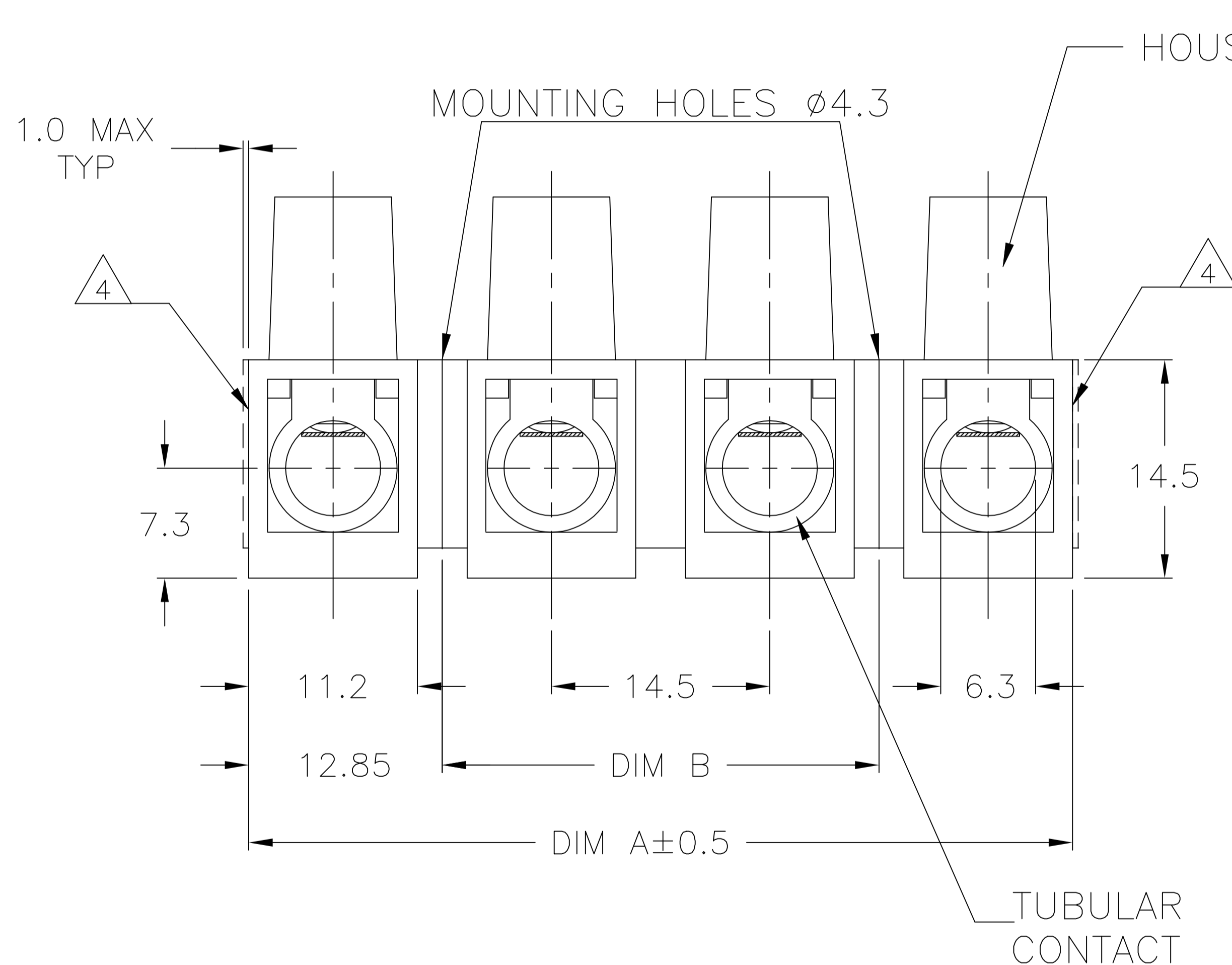
© COPYRIGHT - By -

ALL RIGHTS RESERVED.

REVISIONS

P	LTR	DESCRIPTION	DATE	DWN	APVD
R1		CUTTING BURR DETAILS ADDED	15NOV2018	RK	PS

- MATERIAL:
HOUSING: POLYAMIDE 6, UL94V-2, COLOR OFF WHITE.
CONTACT: BRASS, TIN PLATED.
WIRE PROTECTOR: STAINLESS STEEL.
SCREW: M5, STEEL, ZINC PLATED W/ NON-HEXAVALENT CHROMATE (CHROME III).
WIRE PROTECTOR: STAINLESS STEEL.
- ELECTRICAL:
MAX CURRENT: 65A (UR) 70A (CSA)
OPERATING VOLTAGE: 600V PER UL FILE E60677
WIRE RANGE: 6-14 AWG (UR) 6-22 AWG (CSA)
DIELECTRIC WITHSTAND: 6000V.
- ENVIRONMENT:
CONTINUOUS WORKING TEMP.: -35°C TO 100°C.
- CUTTING PROJECTION CAN BE ON BOTH SIDES DEPENDING ON CUTTING LOCATION
- CUTTING BURR MAX. 1mm ALLOWED.



1776313-4 AS SHOWN

145.0	170.7	12	TSB200012DS	1-1776313-2
130.5	156.2	11	TSB200011DS	1-1776313-1
116.0	141.7	10	TSB200010DS	1-1776313-0
101.5	127.2	9	TSB200009DS	1776313-9
87.0	112.7	8	TSB200008DS	1776313-8
72.5	98.2	7	TSB200007DS	1776313-7
58.0	83.7	6	TSB200006DS	1776313-6
43.5	69.2	5	TSB200005DS	1776313-5
29.0	54.7	4	TSB200004DS	1776313-4
14.5	40.2	3	TSB200003DS	1776313-3
-	25.7	2	TSB200002DS	1776313-2
-	11.2	1	TSB200001DS	1776313-1
DIM B	DIM A	NO OF POS	CATALOG NUMBER	TE PART NUMBER

THIS DRAWING IS A CONTROLLED DOCUMENT.		DWN S SCHLEGEL 3/21/05	STE TE Connectivity Ltd.	
DIMENSIONS: mm		CHK C RICHARD 3/21/05		
TOLERANCES UNLESS OTHERWISE SPECIFIED:		APVD C RICHARD 3/21/05	NAME	
0 PLC ± -		PRODUCT SPEC	14.5MM PITCH WITH WIRE PROTECTOR	
1 PLC ± 0.3		APPLICATION SPEC	SIZE	CAGE CODE
2 PLC ± 0.25		WEIGHT	DRAWING NO	
3 PLC ± -		CUSTOMER DRAWING	RESTRICTED TO	
4 PLC ± -			A3	00779
ANGLES ± 2'			©=1776313	
MATERIAL SEE NOTES	FINISH SEE NOTES		SCALE	SHEET
			NTS	1 OF 1
				REV R1

X-ON Electronics

Largest Supplier of Electrical and Electronic Components

Click to view similar products for [Barrier Terminal Blocks](#) category:

Click to view products by [TE Connectivity](#) manufacturer:

Other Similar products are found below :

[6C1N03](#) [6PCR-02-008](#) [6PCR-05-008](#) [6PCR-08-008](#) [6PCR-21-006](#) [6PCV-06-008](#) [6PCV-10-009](#) [6PCV-15-008](#) [6STR-06-006](#) [6STR-08-006](#)
[6STR-12-008](#) [6STR-14-008](#) [6STR-16-008](#) [6STR-17-008](#) [6STR-21-008](#) [6STR-25-008](#) [6STR-27-008](#) [6STV-03-006](#) [6STV-03-008](#) [6STV-04-006](#) [6STV-10-006](#) [6WWR-03](#) [6WWV-12-008](#) [6WWV-16-008](#) [7-1546701-0](#) [72212603](#) [72503-C](#) [72504-C-50](#) [73203](#) [76007](#) [7604-501LF](#)
[77010-50](#) [796985-3](#) [796988-4](#) [7C1N08](#) [8-1437402-5](#) [8-1437402-7](#) [8-1546158-0](#) [870505](#) [870903](#) [8PCR-06-006](#) [8PCV-02-008](#) [8PCV-05-008](#)
[8PCV-09-006](#) [8PCV-15-006](#) [8PCV-17-006](#) [8QCR-03-008](#) [8STV-04-006](#) [9-1437402-3](#) [A103104](#)