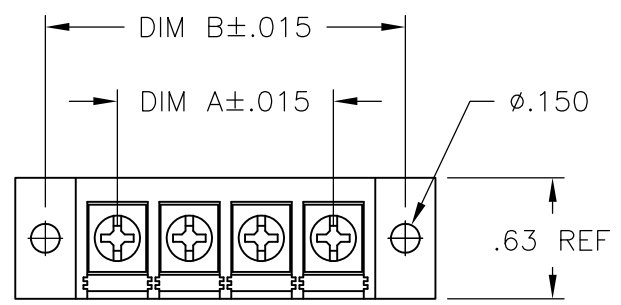


THIS DRAWING IS UNPUBLISHED. RELEASED FOR PUBLICATION
 © COPYRIGHT - By - ALL RIGHTS RESERVED.

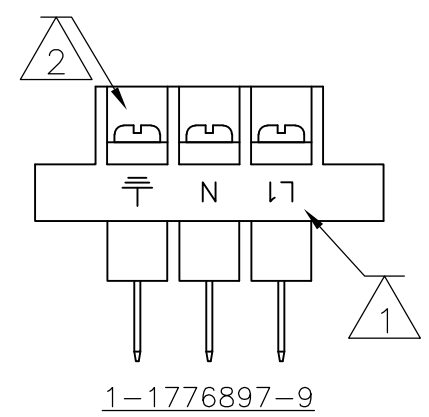
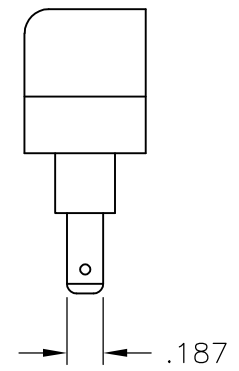
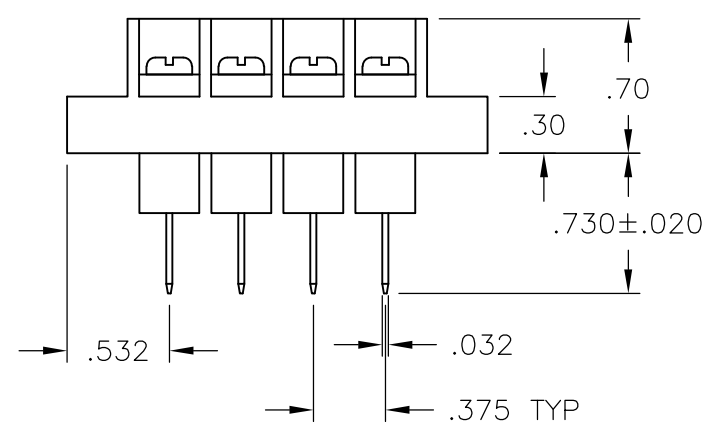
LOC	DIST	REVISIONS					
FT	0	P	LTR	DESCRIPTION	DATE	DWN	APVD
			C1	Correcting Dimension A and B	16MAR2015	CR	PS



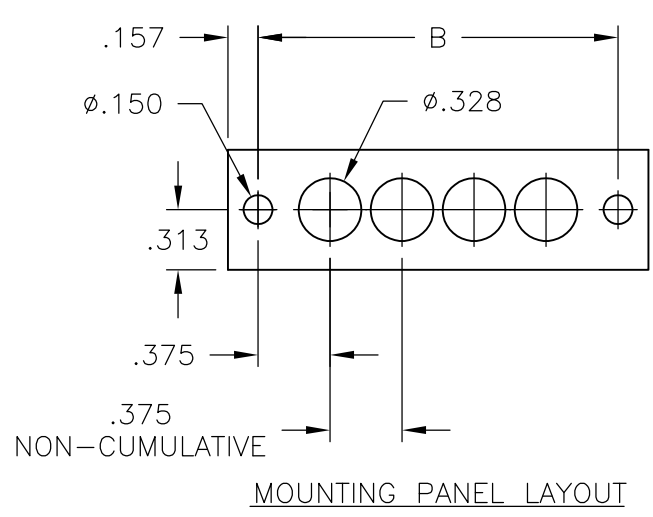
PHYSICAL PROPERTIES:
 HOUSING: THERMOPLASTIC, UL94V-0, BLACK.
 TERMINALS: BRIGHT TIN OVER COPPER ALLOY.
 SCREWS: 6-32 STEEL, ZINC PLATING W/ CLEAR CHROMATE.
 PITCH: .375"
 MAX OPERATING TEMP.: +105°C
 RECOMMENDED TIGHTENING TORQUE: 7 IN-LBS.

ELECTRICAL PROPERTIES:
 CURRENT RATING: 20A
 OPERATING VOLTAGE: 300V
 WIRE RANGE: 12-22 AWG

- 1 MARKED WITH WHITE PERMANENT INK.
- 2 SCREW IS GREEN.



7.125	6.375	18	BC6-F307-18	1-1776897-8
6.750	6.000	17	BC6-F307-17	1-1776897-7
6.375	5.625	16	BC6-F307-16	1-1776897-6
6.000	5.250	15	BC6-F307-15	1-1776897-5
5.625	4.875	14	BC6-F307-14	1-1776897-4
5.250	4.500	13	BC6-F307-13	1-1776897-3
4.875	4.125	12	BC6-F307-12	1-1776897-2
4.500	3.750	11	BC6-F307-11	1-1776897-1
4.125	3.375	10	BC6-F307-10	1-1776897-0
3.750	3.000	9	BC6-F307-09	1776897-9
3.375	2.625	8	BC6-F307-08	1776897-8
3.000	2.250	7	BC6-F307-07	1776897-7
2.625	1.875	6	BC6-F307-06	1776897-6
2.250	1.500	5	BC6-F307-05	1776897-5
1.875	1.125	4	BC6-F307-04	1776897-4
1.500	.750	3	BC6-F307-03-292	1-1776897-9
1.500	.750	3	BC6-F307-03	1776897-3
1.125	.375	2	BC6-F307-02	1776897-2



THIS DRAWING IS A CONTROLLED DOCUMENT.		DWN	S SCHLEGEL	9/27/06	STE TE Connectivity			
DIMENSIONS: INCHES		CHK	S. YODER	9/27/06				
TOLERANCES UNLESS OTHERWISE SPECIFIED:		APVD	S. YODER	9/27/06	NAME			
0 PLC ± -		PRODUCT SPEC			BC6-F307-XX ASSEMBLY			
1 PLC ± -		APPLICATION SPEC			RESTRICTED TO			
2 PLC ± -		SIZE	A3	CAGE CODE	00779	DRAWING NO	C-1776897	
3 PLC ± -		WEIGHT			SCALE	1:1	SHEET	1 OF 1
4 PLC ± -		CUSTOMER DRAWING			REV			C1
ANGLES ± ±								
FINISH								

X-ON Electronics

Largest Supplier of Electrical and Electronic Components

Click to view similar products for [Barrier Terminal Blocks](#) category:

Click to view products by [TE Connectivity](#) manufacturer:

Other Similar products are found below :

[CR151D20104](#) [670A-RZ-15-KT20](#) [6C1N03](#) [6PCR-02](#) [6PCR-02-008](#) [6PCR-05-008](#) [6PCR-08-008](#) [6PCR-09-008](#) [6PCR-13-006](#) [6PCR-15-006](#) [6PCR-21-006](#) [6PCV-06-008](#) [6PCV-06-716](#) [6PCV-09-001](#) [6PCV-10-009](#) [6PCV-15-008](#) [6PCV-17-1206](#) [6PCV-20-323](#) [6PCV-30-006](#) [6STR-06-006](#) [6STR-08-006](#) [6STR-12-008](#) [6STR-13-006](#) [6STR-14-008](#) [6STR-16-008](#) [6STR-17-008](#) [6STR-21-008](#) [6STR-25-008](#) [6STR-27-008](#) [6STV-03-006](#) [6STV-03-008](#) [6STV-04-006](#) [6STV-09-006](#) [6STV-10-006](#) [6WWR-03-693](#) [6WWV-12-008](#) [6WWV-16-008](#) [72212603](#) [72504-C-50](#) [72506-C](#) [72507-C-50](#) [73203](#) [75505-C](#) [75505-C-50](#) [75510-C](#) [77010-50](#) [7C1N08](#) [812-GP-3/4ST-09](#) [8-1437402-5](#) [8-1437402-7](#)