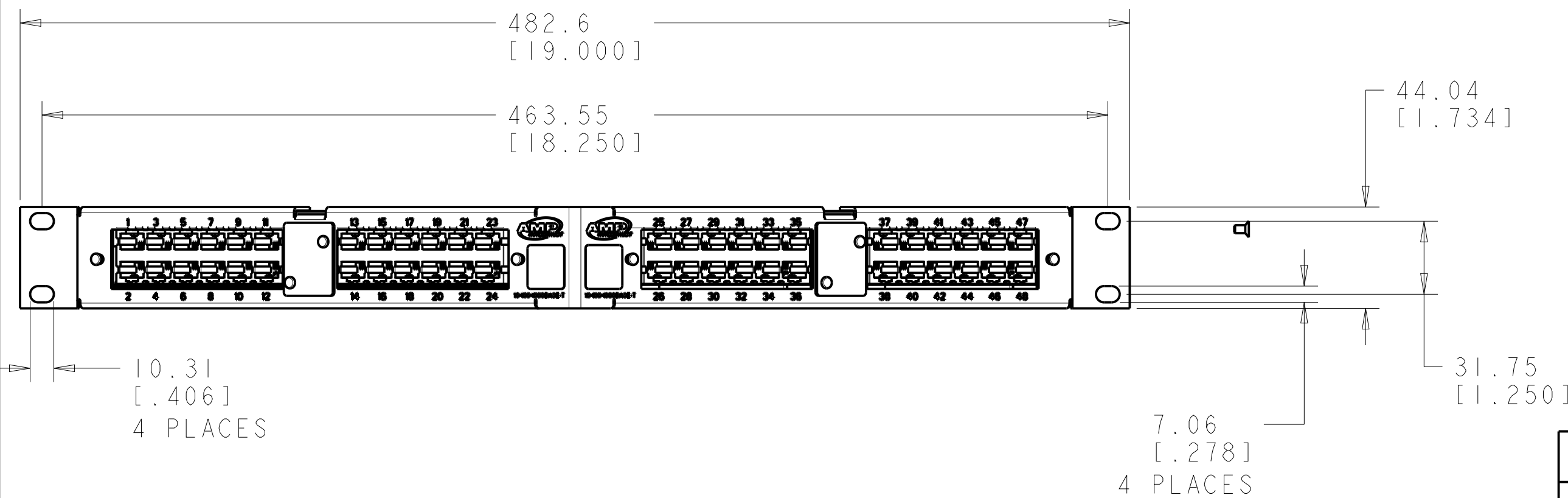
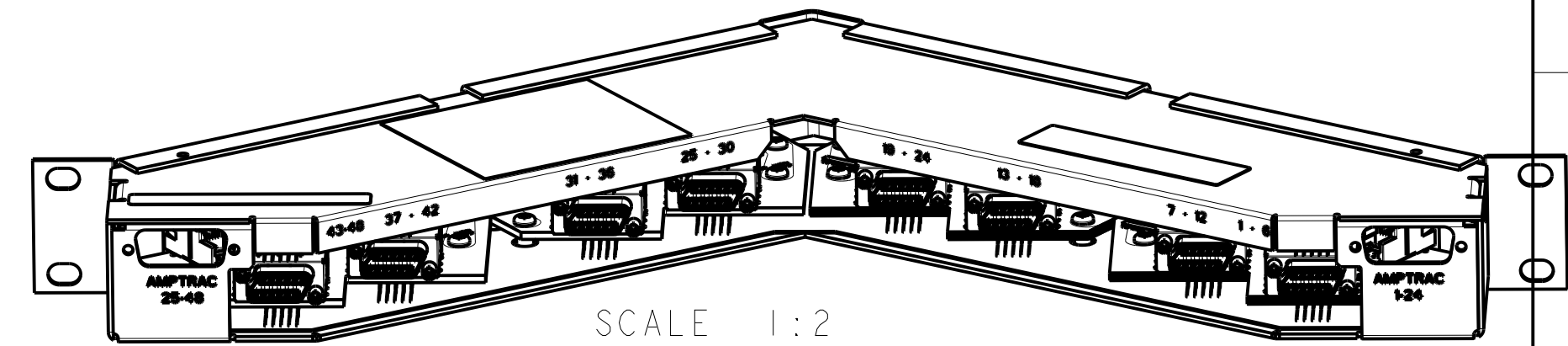
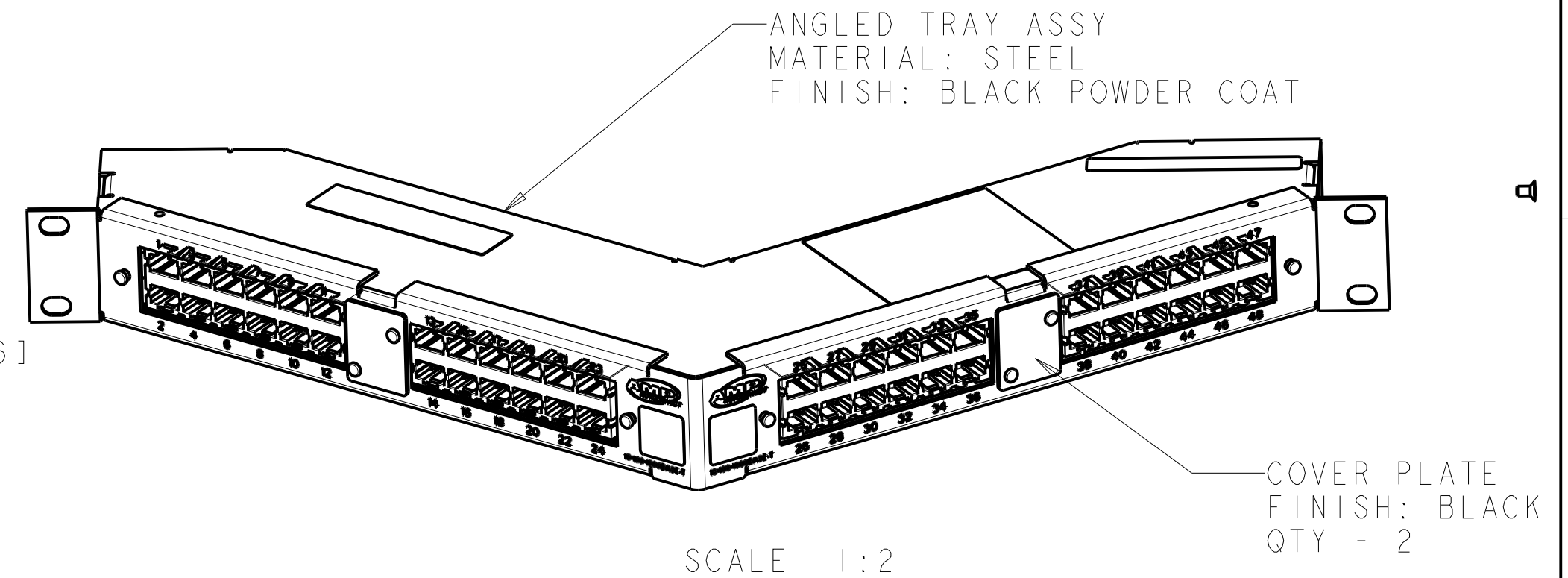
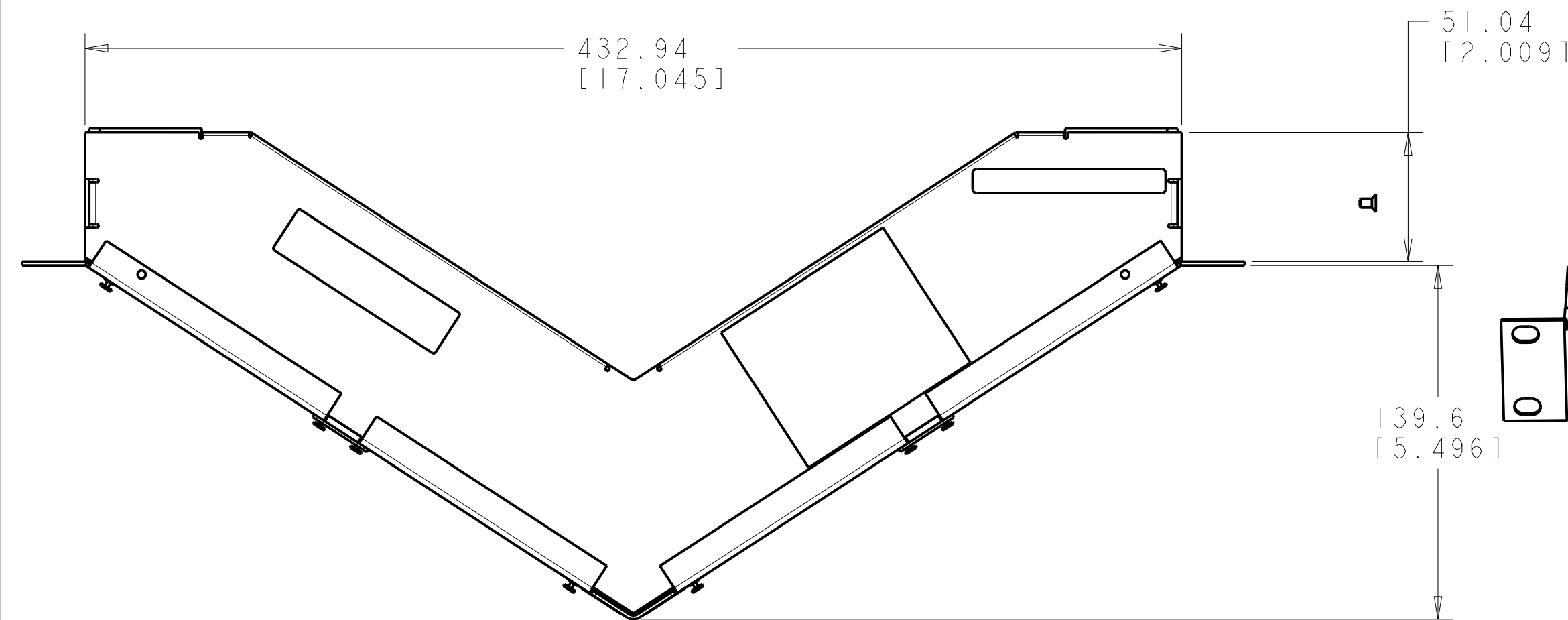


THIS DRAWING IS UNPUBLISHED. RELEASED FOR PUBLICATION  
 © 2016 COMMSCOPE, INC. CONFIDENTIAL NOTICE: THESE DRAWINGS AND SPECIFICATIONS ARE THE PROPRIETARY PROPERTY OF COMMSCOPE, INC. AND MAY BE USED ONLY FOR THE SPECIFIC PURPOSE AUTHORIZED IN WRITING BY COMMSCOPE, INC.

REVISIONS				
P	LTR	DESCRIPTION	DATE	APVD
C1		ECO-14-009914	30JUN2014	JM SH
D		REV PER BNS_CD_BRAND	07FEB2017	GG DC



⚠ THE FOLLOWING ITEM(S) WILL BE BAGGED AND SHIPPED WITH UNIT. ITEMS NOT SHOWN.

FOUR BLACK 12-24 x 12.7 [.500] LONG STEEL, CROSSED RECESSED SCREWS FOR MOUNTING OF PANEL.

INSTRUCTION SHEET 408-8963

1777052-1  
PART NUMBER

THIS DRAWING IS A CONTROLLED DOCUMENT.		DWN A. KINKA 07APR2005	<b>COMMSCOPE, INC.</b>	
DIMENSIONS: MM/INCHES		CHK B. SOURBEER 07APR2005		
TOLERANCES UNLESS OTHERWISE SPECIFIED:		APVD B. BARRY 07APR2005	NAME MRJ 21, 48 PORT, 1U ANGLED PATCH PANEL 10-100-1000 BASE-T	
0 PLC ±	1 PLC ±	PRODUCT SPEC	SIZE	CAGE CODE
2 PLC ±.02	3 PLC ±.010	APPLICATION SPEC	A2	DRAWING NO
4 PLC ±	ANGLES ±	WEIGHT	4.01 lb	G-1777052
FINISH		CUSTOMER DRAWING	SCALE	SHEET
STEEL			1:2	OF
POWDER COAT				REV
				D

## X-ON Electronics

Largest Supplier of Electrical and Electronic Components

*Click to view similar products for [Modular Connectors / Ethernet Connectors](#) category:*

*Click to view products by [TE Connectivity](#) manufacturer:*

Other Similar products are found below :

[8949-H88/06BLKA/SN](#) [74441-0010/BKN](#) [MP1010RX-1000](#) [MP44RX-1000](#) [PHJ-4P4C-1-V-4](#) [PHP-6P6C-5](#) [GAX-3-66](#) [GAX-8-62](#) [GDCX-PA-66-50](#) [GDCX-PN-64](#) [GDCX-PN-66](#) [GDCX-PN-66-50](#) [GDLX-A-66](#) [GDLX-N-66](#) [GDLX-S-66](#) [GDLX-S-88K](#) [GDTX-S-88-50](#) [GDX-PA-1010](#) [GLX-N-1010M-BLK](#) [GLX-S-88M-BLK](#) [GMX-N-1010](#) [GMX-S-1010](#) [GMX-S-66](#) [GMX-SMT4-N-88](#) [GPX-2-64](#) [GSGX-N-2-88](#) [GSGX-N-4-88](#) [GSX-NS2-88-3.05](#) [GSX-NS2-88-3.05-50](#) [GSX-NS-88-3.05-50](#) [PT-108A-8C-UL](#) [PT-J951-8C](#) [PTS-J531-8CS-50UL](#) [1-1775629-2](#) [A-2014-0-4](#) [GWLX-S-88-GR](#) [GWLX-S9-88-YG](#) [DC-1021-8-WH-6](#) [1300530003](#) [1324640-4](#) [RJ11FTVC2G](#) [RJ11FTVC2N](#) [RJFTVX2SA1G](#) [132764-001](#) [1413235](#) [MP88X-1000](#) [MPS88RX-5000](#) [E5288-S000K3-L](#) [E5908-15A242-L](#) [155302-001](#)