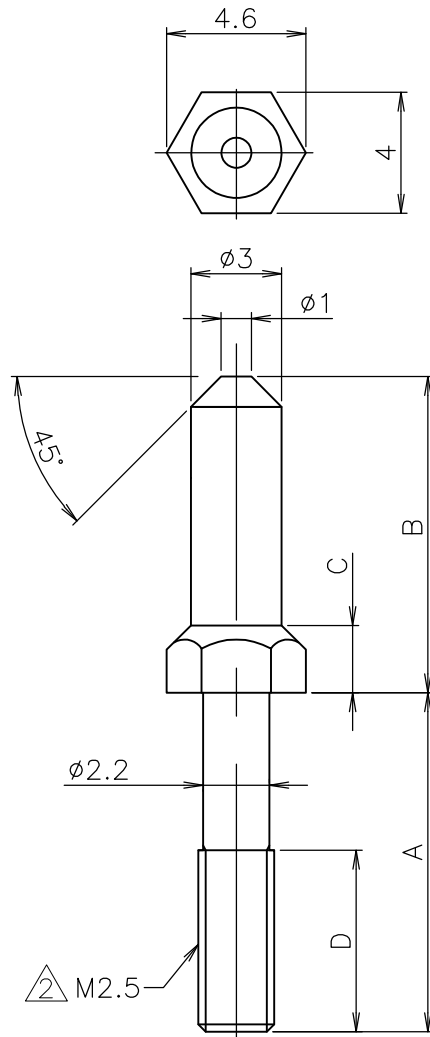


LOC J	DIST	REVISIONS			
P	LTR	DESCRIPTION	DATE	DWN	APVD
	F	REVISED PER ECR-12-013086	26MAR13	K.M	E.T



注記

- 1. 材料及び仕上：黄銅、ニッケルメッキ
- ② ねじ部先端を除き、ゆるみ止め材料塗布
(ロックタイト DRI-LOC 202, 203 相当)

NOTE

- 1. MATERIAL AND FINISH BRASS, Ni PLATE
- ② THREADLOCKING MATERIAL APPLIED, EXCEPT FOR THREAD TIP AREA.
(EQUIVALENT LOCTITE DRI-LOC 202, 203) ② M2.5

① OBSOLETE	MAKE FROM -1	6	2.22	10.45	11.2	2-177734-1 ②
		4.6	2.22	10.45	5.6	177734-5
		6	3.02	11.25	10.4	177734-4
		6	3.02	11.25	7	177734-3
		6	2.22	10.45	7.8	177734-2
		6	2.22	10.45	11.2	177734-1
	REMARKS	D	C	B	A	P/N

THIS DRAWING IS UNPUBLISHED. RELEASED FOR PUBLICATION , 1993. ALL RIGHTS RESERVED.

COPYRIGHT 1993 By -

DIMENSIONS: mm	DWN S.ABE	160CT02	MATERIAL SEE NOTE	FINISH SEE NOTE
	CHK H.SHIRAI	160CT02		
TOLERANCES UNLESS OTHERWISE SPECIFIED:	APVD H.SHIRAI	160CT02		
0 PLC ± 0.25	PRODUCT SPEC		NAME GUIDE PIN FOR AMP DOCKING CONNECTOR	
1 PLC ± 0.25	APPLICATION SPEC		SIZE A4	CAGE CODE 00779
2 PLC ± 0.25			DRAWING NO C-177734	RESTRICTED TO -
3 PLC ±				
4 PLC ±				
ANGLES ± 3'				
	WEIGHT		CUSTOMER DRAWING	
		SCALE 4:1	SHEET 1 OF 1	REV F

X-ON Electronics

Largest Supplier of Electrical and Electronic Components

Click to view similar products for [I/O Connectors](#) category:

Click to view products by [TE Connectivity](#) manufacturer:

Other Similar products are found below :

[571763P](#) [72.250.1628.2](#) [72.250.2428.2](#) [74720-0505](#) [76.350.0729.0](#) [76871-1403](#) [FCN-244F080-G/1](#) [FCN-260A9920](#) [MP-5T180MUNNA-005](#)
[PCR-E36PM](#) [PCS-XE26MA+](#) [G38A71314B](#) [1571250010](#) [157-22500-3](#) [MS3471L14-19P L/C](#) [91-569786-35H](#) [172501-4002](#) [172501-6002](#)
[FCN-260C008-A/L0](#) [FCN-260C024-AL0](#) [FCN-261Z008](#) [2000314-1](#) [200331-1](#) [PCR-E36FC+](#) [PCS-E28FS+](#) [PCS-XE26SLFD+](#) [PCS-](#)
[XE26SLFDT+](#) [G730VID08BDC24](#) [U90B2054081210](#) [UE86K842720321](#) [38113800006](#) [DP3AR020WQ1R200](#) [Z4.102.0680.0](#) [500-1040](#)
[500-1052](#) [500-1054](#) [ZP-4008-66L](#) [0709821002](#) [10-565995-597N](#) [DX40-20P\(55\)](#) [5554841-1](#) [MS3474W18-8P-LC*](#) [U90B3054061110](#) [U65-](#)
[E04-4020](#) [ZPF000000000097891](#) [557-262M2-06C](#) [747360449](#) [10099439-003C-TRLF](#) [10137239-0021LF](#) [E9320-001-01](#)