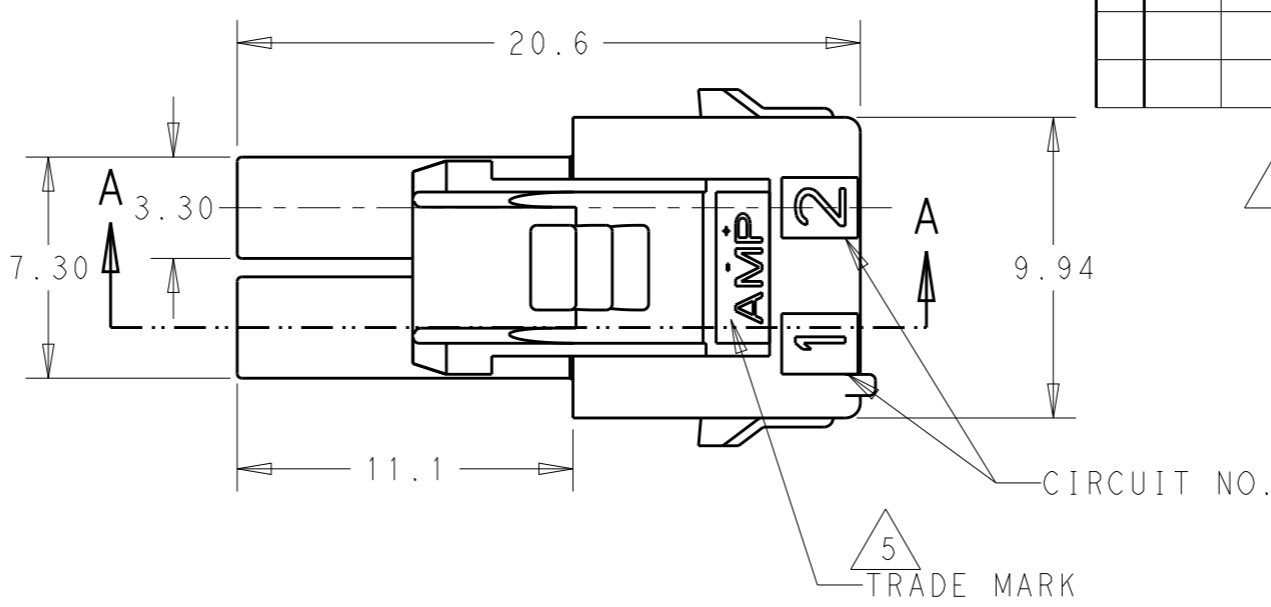
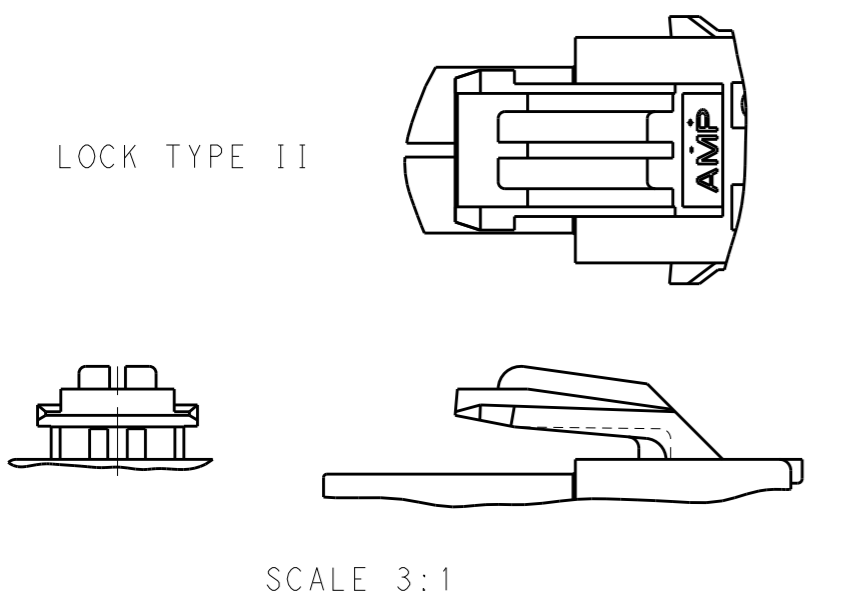


THIS DRAWING IS UNPUBLISHED. RELEASED FOR PUBLICATION 20  
© COPYRIGHT 20 BY - ALL RIGHTS RESERVED.

REVISIONS

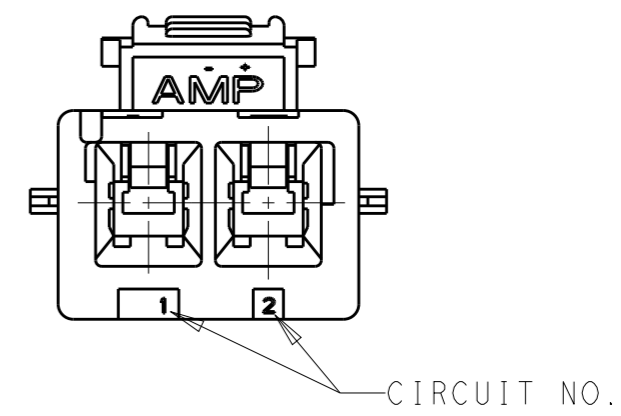
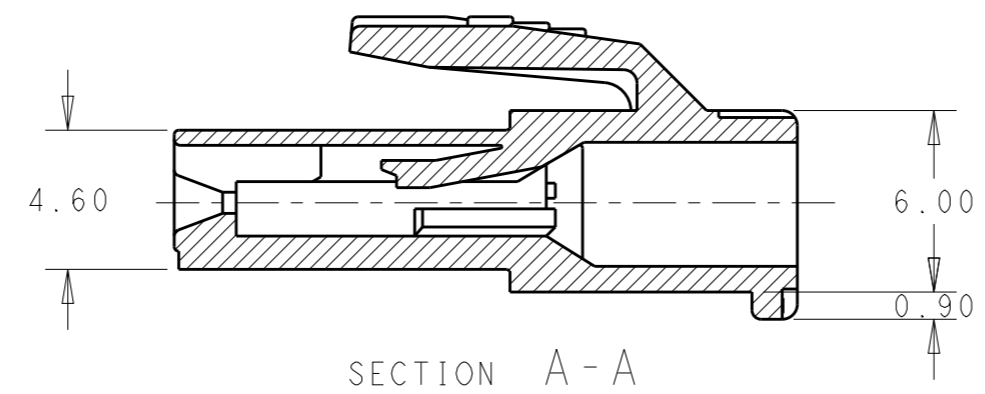
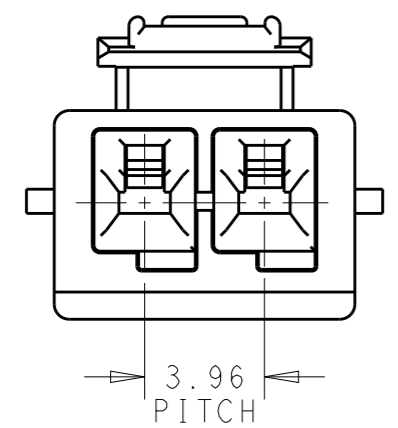
P	LTR	DESCRIPTION	DATE	DWN	APVD
E4		REVISED PER ECR ECR-19-017851	28NOV2019	SM	DZ
E5		REVISED PRE ECR-20-100583	19OCT2020	M.G	D.Z

AS SHOWN LOCK TYPE I



5 TABLE 1

TRADE MARK	MANUFACTURING LOCATION
- AMP OR AMP	JAPAN
+AMP OR AMP	CHINA (PRC)
AMP OR AMP	KOREA



NOTES:

- 1 APPLICABLE CONTACT P/N  
REC CONTACT : 177915-□ (#20-#16 AWG)  
177914-□ (#26-#22 AWG)
- 2 MATING CONN. P/N  
CAP HSG : 177906-□ (PANEL MOUNT)  
TAB CONTACT : 177917-□ (#20-#16 AWG)  
177916-□ (#26-#22 AWG)
- 3 APPLICABLE PLATE P/N : 177918-□
- 4 INSTRUCTION SHEET : 411-5638
- 5 SEE TABLE 1
- 6 ALL PARTS MEET RTI ELECTRICAL RATING OF 105C ACCORDING TO UL1977.

7 PART 5-177898-1 COMPLY WITH GLOW WIRE REQUIREMENT FOR PARTS OF NON-METALLIC MATERIAL SUPPORTING A CURRENT-CARRYING CONNECTION DETAILED IN IEC 60335-1, SECTION 30 (GWT)

LOCK TYPE II	HOUSING COLOR	POS	PART NUMBER
LOCK TYPE I	NATURAL	2	3-177898-1
	NATURAL	2	5-177898-1
	BLACK	2	177898-9
	BLUE	2	177898-6
	GREEN	2	177898-5
	YELLOW	2	177898-4
	RED	2	177898-2
	NATURAL	2	177898-1

THIS DRAWING IS A CONTROLLED DOCUMENT.		DWN M. SUZUKI 09SEP1993	<b>STE</b> TE Connectivity	
DIMENSIONS: mm		CHK M. SHINDO 09SEP1993		
TOLERANCES UNLESS OTHERWISE SPECIFIED:		APVD Y. KASHIWA 09SEP1993	NAME	
0 PLC ±		PRODUCT SPEC 108-5410	AMP POWER DBL LOCK CONN, 3.96mm PITCH	
1 PLC ±0.25		APPLICATION SPEC 114-5175	2 Pos PLUG HOUSING (SGL ROW)	
2 PLC ±0.20		WEIGHT -	SIZE A3	CAGE CODE 00779
3 PLC ±		CUSTOMER DRAWING	DRAWING NO	RESTRICTED TO
4 PLC ±			©=177898	
ANGLES ±3°		SCALE 5:1	SHEET 1 OF 1	REV E5
FINISH -				
MATERIAL 6/6 NYLON (UL 94V-0)				

## X-ON Electronics

Largest Supplier of Electrical and Electronic Components

*Click to view similar products for [Headers & Wire Housings](#) category:*

*Click to view products by [TE Connectivity](#) manufacturer:*

Other Similar products are found below :

[892-18-020-10-001101](#) [58102-G61-06LF](#) [582553-1](#) [0009485154](#) [009176003701906](#) [0050291907](#) [LY20-4P-DT1-P1E-BR](#) [02.125.8002.8](#)  
[609-3404](#) [61062-3](#) [61082-181009](#) [622-3653LF](#) [63453-116](#) [636-1030](#) [636-1427](#) [636-3427](#) [636-4007](#) [641938-9](#) [641991-4](#) [644827-2](#) [65817-](#)  
[010LF](#) [65817-015LF](#) [65863-015LF](#) [66207-023LF](#) [67095-007LF](#) [67601157](#) [68645-018](#) [68648-049](#) [70.362.1628.0](#) [70-4210](#) [70-4226B](#) [70-](#)  
[4853B](#) [707-5020](#) [707-5028](#) [71.350.2428.0](#) [71918-208LF](#) [71961-016LF](#) [733-134](#) [733-162](#) [754199-000](#) [760-3052](#) [787-8014-00](#) [79531-3000](#)  
[FCN-360C032-B](#) [FCN-367T-T012/H](#) [FCN-723D010/2](#) [80.063.4001.1](#) [800-90-001-10-001000](#) [800-90-010-10-002000](#) [801-43-002-10-013000](#)