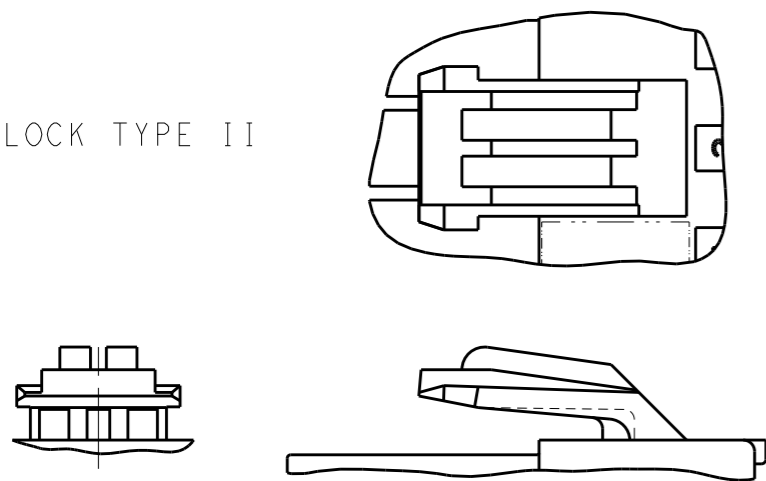


THIS DRAWING IS UNPUBLISHED. RELEASED FOR PUBLICATION 20  
© COPYRIGHT 20 BY - ALL RIGHTS RESERVED.

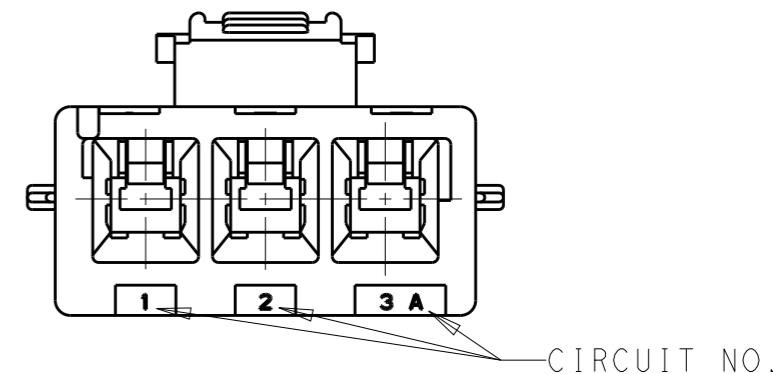
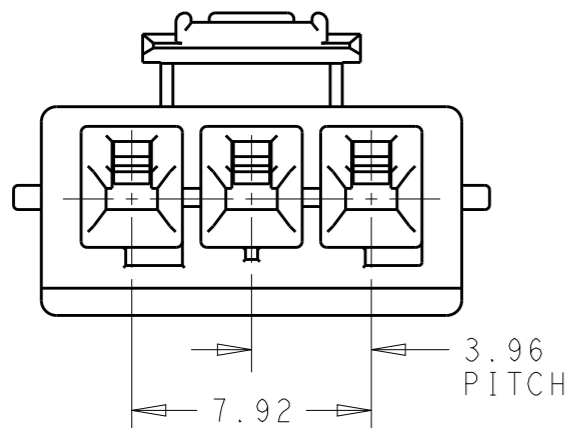
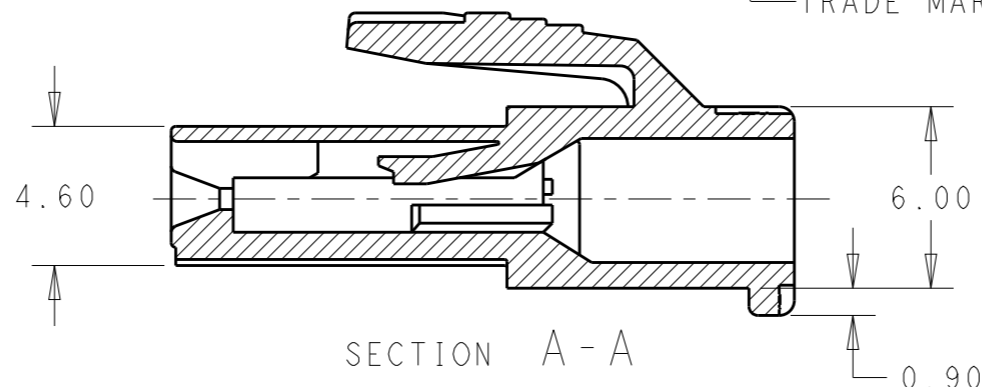
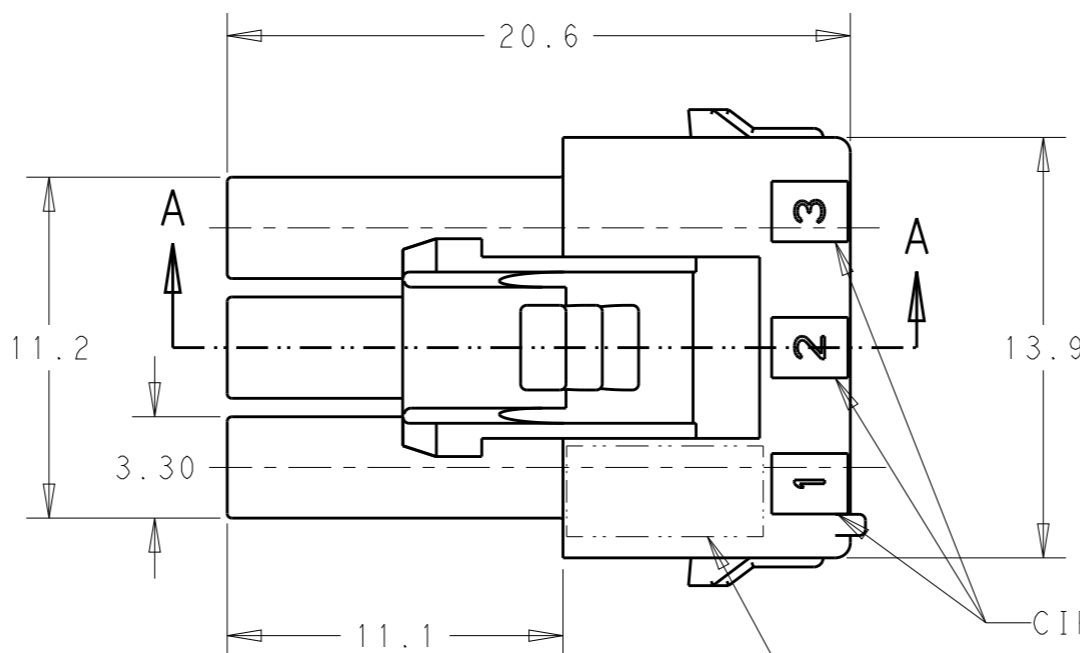
REVISIONS

P	LTR	DESCRIPTION	DATE	DWN	APVD
	E5	REVISED PER ECR-19-003343	06MAR2019	N.L	D.Z

LOCK TYPE II



SCALE 3:1



- 1 APPLICABLE CONTACT P/N  
REC CONTACT : 177915-X (AWG#20-#16)  
177914-X (AWG#26-#22)  
X-2232901-X(AWG#20-#16)  
X-2232902-X(AWG#26-#22)
- 2 MATING CONN. P/N  
CAP HSG : 177907-X (PANEL MOUNT)  
179464-X (FREE HANGING)  
  
TAB CONTACT : 177917-X (AWG#20-#16)  
177916-X (AWG#26-#22)

- 6 PART 5-177899-1 COMPLY WITH GLOW WIRE REQUIREMENT FOR PARTS OF NON-METALLIC MATERIAL SUPPORTING A CURRENT-CARRYING CONNECTION DETAILED IN IEC 60335-1, SECTION 30 (GWT)

- 3 APPLICABLE PLATE P/N : 177919-X
- 4 INSTRUCTION SHEET : 411-5638
- 5 ALL PARTS MEET RTI ELECTRICAL RATING OF 105°C ACCORDING TO UL1977.

LOCK TYPE II	BLUE	3	3-177899-6
	NATURAL	3	3-177899-1
LOCK TYPE I	NATURAL	3	5-177899-1
	<del>BLACK</del>	<del>3</del>	<del>177899-9</del>
	BLUE	3	177899-6
	YELLOW	3	177899-4
	RED	3	177899-2
	NATURAL	3	177899-1
LOCK TYPE	HOUSING COLOR	POS	PART NUMBER

THIS DRAWING IS A CONTROLLED DOCUMENT.		DWN J. SATO 25OCT2007	<b>STE</b> TE Connectivity	
DIMENSIONS: mm		CHK S. MANABE 25OCT2007		
TOLERANCES UNLESS OTHERWISE SPECIFIED:		APVD S. MANABE 25OCT2007	NAME AMP POWER DOUBLE LOCK 3.96mm PITCH 3 POS PLUG HSG (SGL. ROW)	
0 PLC ±		PRODUCT SPEC 108-5410	SIZE	
1 PLC ±0.25		APPLICATION SPEC 114-5175	CAGE CODE	
2 PLC ±0.20		WEIGHT	DRAWING NO	
3 PLC ±		RESTRICTED CUSTOMER	A300779	
4 PLC ±			C=177899	
ANGLES ±3°			RESTRICTED TO	
FINISH			SCALE N/A	
			SHEET 1 OF 1	
			REV E5	

## X-ON Electronics

Largest Supplier of Electrical and Electronic Components

*Click to view similar products for [Heavy Duty Power Connectors](#) category:*

*Click to view products by [TE Connectivity](#) manufacturer:*

Other Similar products are found below :

[647757-1](#) [6643411-1](#) [6646058-2](#) [6646137-1](#) [6646138-1](#) [6646479-1](#) [6646608-1](#) [6646786-1](#) [6646940-1](#) [6651091-1](#) [6651525-1](#) [6651529-1](#)  
[6651788-1](#) [696475-1](#) [702-32-01109](#) [703-25-02205](#) [73000005059](#) [73000005642](#) [73080255059](#) [73080965046](#) [765-15-0080A](#) [765-16-0080B](#)  
[765-18-0080D](#) [829992-1](#) [902-77-02113](#) [PS00/A0620/6300](#) [PS25/A0420/63](#) [129-1J](#) [1409400](#) [AN0024023](#) [E6374G1](#) [e6389g2](#) [157-43GW8](#)  
[MS3117-14AC](#) [1643543-1](#) [1650540-1](#) [1651811-2](#) [1766260-1](#) [1766282-1](#) [1766966-1](#) [1791340000](#) [NLDFT-3-BL-L-S120-M40A](#) [NLDFT-N-](#)  
[W-L-C240-M40B](#) [NLS-2-R-C240-M40B](#) [NLS-N-W-C240-M40B](#) [NPS-3-BL-T6](#) [1986615-1](#) [2-1589900-8](#) [2199314-1](#) [KA8102](#)