

NUMBER C-177900

METRIC

PRINT DIST  
単位換算 DIMENSIONS IN MM. DO NOT SCALE PRINT

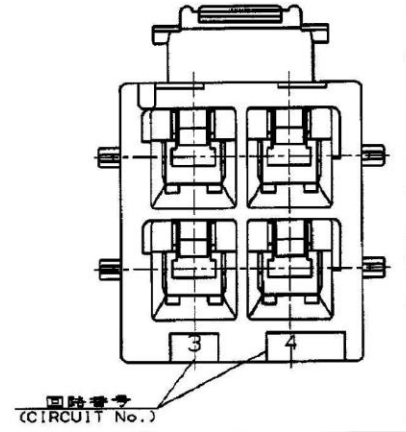
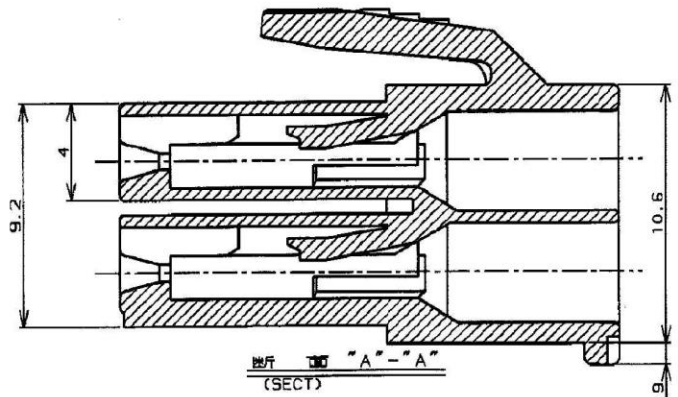
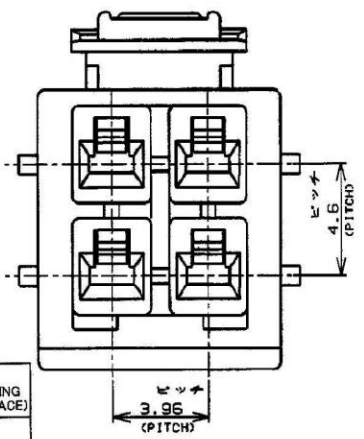
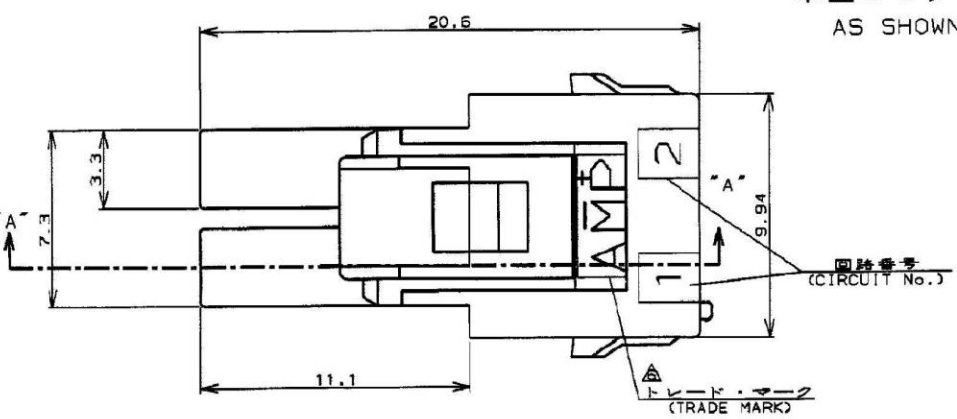
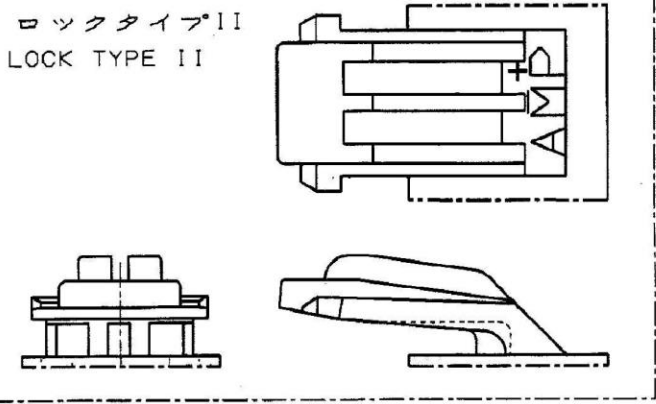


表1 (TABLE 1)

| トレードマーク<br>(TRADE MARK) | 生産場所<br>(MANUFACTURING PLACE) |
|-------------------------|-------------------------------|
| — AMP OR AMP            | 日本<br>(JAPAN)                 |
| —+ AMP OR AMP           | 中国<br>(CHINA(PRC))            |
| — AMP OR AMP            | 韓国<br>(KOREA)                 |

NOTES,

- PRODUCT SPEC, 108-5410
- APPLICABLE CONTACT P/N  
REC CONTACT, 177915-□ (\*20-#16AWG)  
177914-□ (\*26-#22AWG)
- MATING CONN, P/N  
CAP HSG, 177908-□ (PANEL MOUNT)  
TAB CONTACT, 177917-□ (\*20-#16AWG)  
177916-□ (\*26-#22AWG)
- APPLICABLE PLATE P/N, 177918-□
- INSTRUCTION SHEET : 411-5638

- ALL PARTS MEET RTI ELECTRICAL RATING OF 105C ACCORDING TO UL 1977
- PART 5-177900-1 COMPLY WITH GLOW WIRE REQUIREMENT FOR PARTS OF NON-METALLIC MATERIAL SUPPORTING A CURRENT-CARRYING CONNECTION DETAILED IN IEC 60335-1, SECTION 30 (GWT)
- APPLICATION SPEC: 114-5175

|                           |                            |              |             |
|---------------------------|----------------------------|--------------|-------------|
| ロックタイプ II<br>LOCK TYPE II | 自然色 (NATURAL)              | 4            | 3-177900-1  |
| ロックタイプ I<br>LOCK TYPE I   | ハウジング色調<br>(HOUSING COLOR) | 種数<br>(Pos.) | 型番<br>(P/N) |

|                         |               |          |            |
|-------------------------|---------------|----------|------------|
| ロックタイプ I<br>LOCK TYPE I | 自然色 (NATURAL) | 4        | 5-177900-1 |
|                         | 青 (BLUE)      | ↑        | ↑ -6       |
|                         | 黄 (YELLOW)    | ↑        | ↑ -4       |
|                         | 赤 (RED)       | ↓        | ↓ -2       |
| 自然色 (NATURAL)           | 4             | 177900-1 |            |

|     |                           |    |      |            |
|-----|---------------------------|----|------|------------|
| F4  | REVISED PER ECR-19-017851 | SM | DZ   | 20NOV 2019 |
| F3  | REVISED PER ECR-14-001994 | AZ | D. Z | 11FEB 2014 |
| F2  | REVISED PER ECR-12-019929 | AZ | FM   | 16NOV 2012 |
| F1  | REVISED PER ECO-11-005140 | RK | HMR  | 01APR '11  |
| LTR | 変更 (REVISION RECORD)      | DR | CHK  | DATE       |

|  |                               |
|--|-------------------------------|
| 材料 (MATERIAL)<br>S/B ナイロン (UL94V-0)<br>S/B NYLON (UL94V-0) | 仕上 (FINISH)                   |
| DR. 9. SEP '93<br>M. SUZUKI                                | DE. 9. SEP '93<br>M. SUZUKI   |
| CHK. 9. SEP '93<br>M. SHINDO                               | APP. 9. SEP '93<br>Y. KASHIWA |

|  |              |                      |
|--|--------------|----------------------|
| 品名 (NAME)<br>AMP POWER DOUBLE LOCK CONN.<br>4極 3.96mmピッチ プラグハウジング (2列タイプ)<br>AMP POWER DOUBLE LOCK CONN. 3.96mm PITCH PLUG HOUSING 4 Pos (DBL ROW)<br>一般公差 | SIZE<br>A3 J | 図番 (No.)<br>C-177900 |
| 寸法 (SCALE)<br>10mm: ±0.2<br>10mm以下: ±0.25<br>10mm以上100mm以下: ±0.3<br>公差: ±3%  | REV.<br>F4   | SHEET<br>1 OF 1      |

## X-ON Electronics

Largest Supplier of Electrical and Electronic Components

*Click to view similar products for [Headers & Wire Housings](#) category:*

*Click to view products by [TE Connectivity](#) manufacturer:*

Other Similar products are found below :

[57102-F02-18ULF](#) [58102-G61-06LF](#) [0009485154](#) [009176003701906](#) [0050291907](#) [00-9021-0611-00-339](#) [02.125.8002.8](#) [609-3404](#) [61062-3](#)  
[622-0430](#) [622-3653LF](#) [63453-116](#) [636-1030](#) [636-1427](#) [636-3427](#) [636-4007](#) [641938-9](#) [644827-2](#) [65495-038](#) [65692-001LF](#) [65781-018](#)  
[65781-047](#) [65817-010LF](#) [65817-015LF](#) [66207-023LF](#) [67016-026LF](#) [67095-007LF](#) [68631-112](#) [68645-018](#) [68648-049](#) [699319-000](#)  
[70.362.1628.0](#) [70-4210](#) [70-4226B](#) [70-4853B](#) [707-5020](#) [707-5028](#) [71.350.2428.0](#) [71961-016LF](#) [733-134](#) [754199-000](#) [760-3052](#) [787-8014-00](#)  
[FCN-367T-T012/H](#) [80.063.4001.1](#) [800-90-001-10-001000](#) [800-90-010-10-002000](#) [801-43-002-10-013000](#) [801-43-006-10-002000](#)  
[803-41-018-10-001000](#)