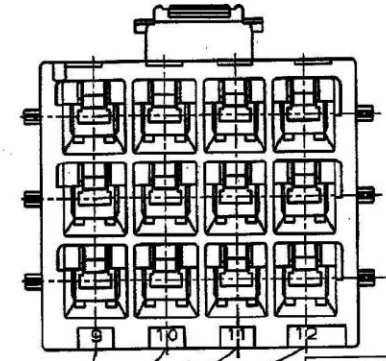
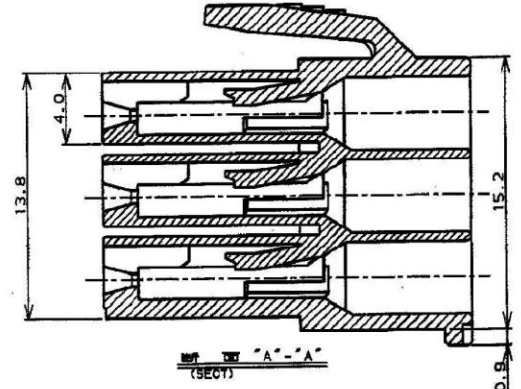
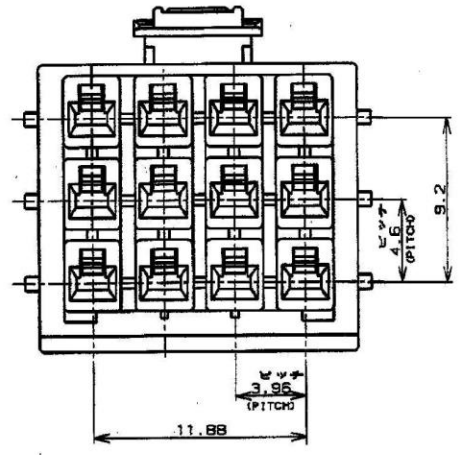
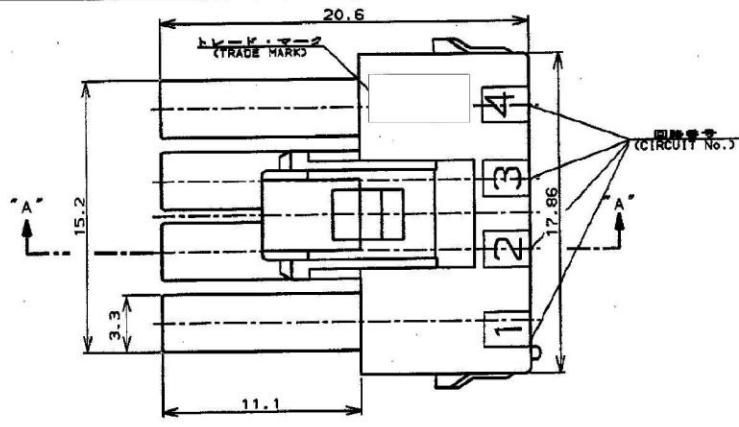


NUMBER C-177905
METRIC
三角度 (3-Angle PROJECTION)

1. 適用製品規格 : 106-5410
 2. 適用コンタクト型番
 ① A : コンタクト : 177915-C(#20-#16AWG)
 177914-D(#26-#22AWG)
 3. 適合標準品型番型番
 カネマツ・ハウジング : 177913-① (パネル取付タイプ)
 タブ・コンタクト : 177917-C(#20-#16AWG)
 177916-C(#26-#22AWG)
 4. 適用プレート型番 : 177920-C
 5. 取扱説明書 : 411-5638



6 ALL PARTS MEET RTI ELECTRICAL RATING OF 105C ACCORDING TO UL 1977.
 △ PART 5-177905-1 COMPLY WITH GLOW WIRE REQUIREMENT FOR PARTS OF NON-METALLIC MATERIAL SUPPORTING A CURRENT-CARRYING CONNECTION DETAILED IN IEC 60335-1, SECTION 30(GWT)
 △ PART 177905-7 COMPLY WITH HOT WIRE REQUIREMENT, PA66, UL 94V-0. HOT WIRE IGNITION(HWI) VERSION ARE MOLDED IN A RESIN THAT COMPLIES WITH THE HOT WIRE IGNITION TEST 109-32026 AND ARE RECOMMENDED FOR USE WITH HWI HOUSING THAT ALSO COMPLY.
 △ Preliminary-not for production
 10. APPLICATION SPEC: 114-5175

自然色 (NATURAL)	12	177905-7
自然色 (NATURAL)	12	5-177905-1
青 (BLUE)		-6
黄 (YELLOW)		-4
自然色 (NATURAL)	12	177905-1
ハウジング色別 極微 型番		型番
(HOUSING COLOR) (P/N)		(P/N)

- NOTES:
 1. PRODUCT SPEC: 106-5410
 2. APPLICABLE CONTACT P/N
 REC CONTACT: 177915-C(#20-#16AWG)
 177914-D(#26-#22AWG)
 3. MATING CONN. P/N
 CAP HSG: 177913-D (PANEL MOUNT)
 TAB CONTACT: 177917-C(#20-#16AWG)
 177916-C(#26-#22AWG)
 4. APPLICABLE PLATE P/N: 177920-C
 5. INSTRUCTION SHEET : 411-5638

D6	REVISED PER ECR-19-017851	SM	DZ	20NOV 2019
D5	REVISED ECR-19-014813	M.G	D.Z	26SEP 2019
D4	REVISED ECR-14-017020	W.W	D.Z	4NOV 2014
D3	REVISED ECR-14-013449	W.W	D.Z	14SEP 2014
D2	REVISED ECR-13-019881	A.Z	D.Z	23DEC 2013
D1	REVISED ECR-12-019929	A.Z	F.M	16NOV 2012
D	変更 P100-1398-01	M.M	M.S	20MAY 2001
C	変更 P100-0724-99	M.M	M.S	28MAY 99
B	変更 P100-0623-98	T.Y	M.S	28MAY 98
LTR	変更 (REVISION RECORD)	DR	CHK	DATE

Tyco Electronics AMP K.K. Kawasaki, Japan	
AMP POWER DOUBLE LOCK CONN. 12極 3.96mmピッチ プラックハウジング (3列タイプ) AMP POWER DOUBLE LOCK CONN. 3.96mm PITCH PLUS HOUSING 12 Pos (TPL ROW)	
絶縁色 (INSULATION DIA.) 絶縁色 (INSULATION DIA.)	品名 (NAME) AMP POWER DOUBLE LOCK CONN. 3.96mm PITCH PLUS HOUSING 12 Pos (TPL ROW)
材料 (MATERIAL) 絶縁色 (INSULATION DIA.)	仕上げ (FINISH) 絶縁色 (INSULATION DIA.)
設計 (DESIGN) M. SUZUKI	承認 (APPROVAL) M. SUZUKI
検査 (CHECK) M. SHINDO	承認 (APPROVAL) Y. KASHIWA
寸法 (DIMENSIONS) 10mm x 20.2mm 18mm x 30mm x 20.2mm 20mm x 100mm x 20.3mm	仕様 (SPEC.) B J C-177905
尺度 (SCALE) REV. D6	SHEET 1 OF 1

PRINT DIST
 寸法 (DIMENSIONS) IN MM. DO NOT SCALE PRINT

REV. 1
 P1028500

CUSTOMER DRAWING

X-ON Electronics

Largest Supplier of Electrical and Electronic Components

Click to view similar products for [Headers & Wire Housings](#) category:

Click to view products by [TE Connectivity](#) manufacturer:

Other Similar products are found below :

[892-18-020-10-001101](#) [58102-G61-06LF](#) [582553-1](#) [0009485154](#) [009176003701906](#) [0050291907](#) [LY20-4P-DT1-P1E-BR](#) [02.125.8002.8](#)
[609-3404](#) [61062-3](#) [61082-181009](#) [622-3653LF](#) [63453-116](#) [636-1030](#) [636-1427](#) [636-3427](#) [636-4007](#) [641938-9](#) [641991-4](#) [644827-2](#) [65817-](#)
[010LF](#) [65817-015LF](#) [65863-015LF](#) [66207-023LF](#) [67095-007LF](#) [67601157](#) [68645-018](#) [68648-049](#) [70.362.1628.0](#) [70-4210](#) [70-4226B](#) [70-](#)
[4853B](#) [707-5020](#) [707-5028](#) [71.350.2428.0](#) [71918-208LF](#) [71961-016LF](#) [733-134](#) [733-162](#) [754199-000](#) [760-3052](#) [787-8014-00](#) [79531-3000](#)
[FCN-360C032-B](#) [FCN-367T-T012/H](#) [FCN-723D010/2](#) [80.063.4001.1](#) [800-90-001-10-001000](#) [800-90-010-10-002000](#) [801-43-002-10-013000](#)