

REVISIONS					
P	LTR	DESCRIPTION	DATE	DWN	APVD
	C3	REVISED PER ECR-19-017851	28NOV2019	SM	DZ

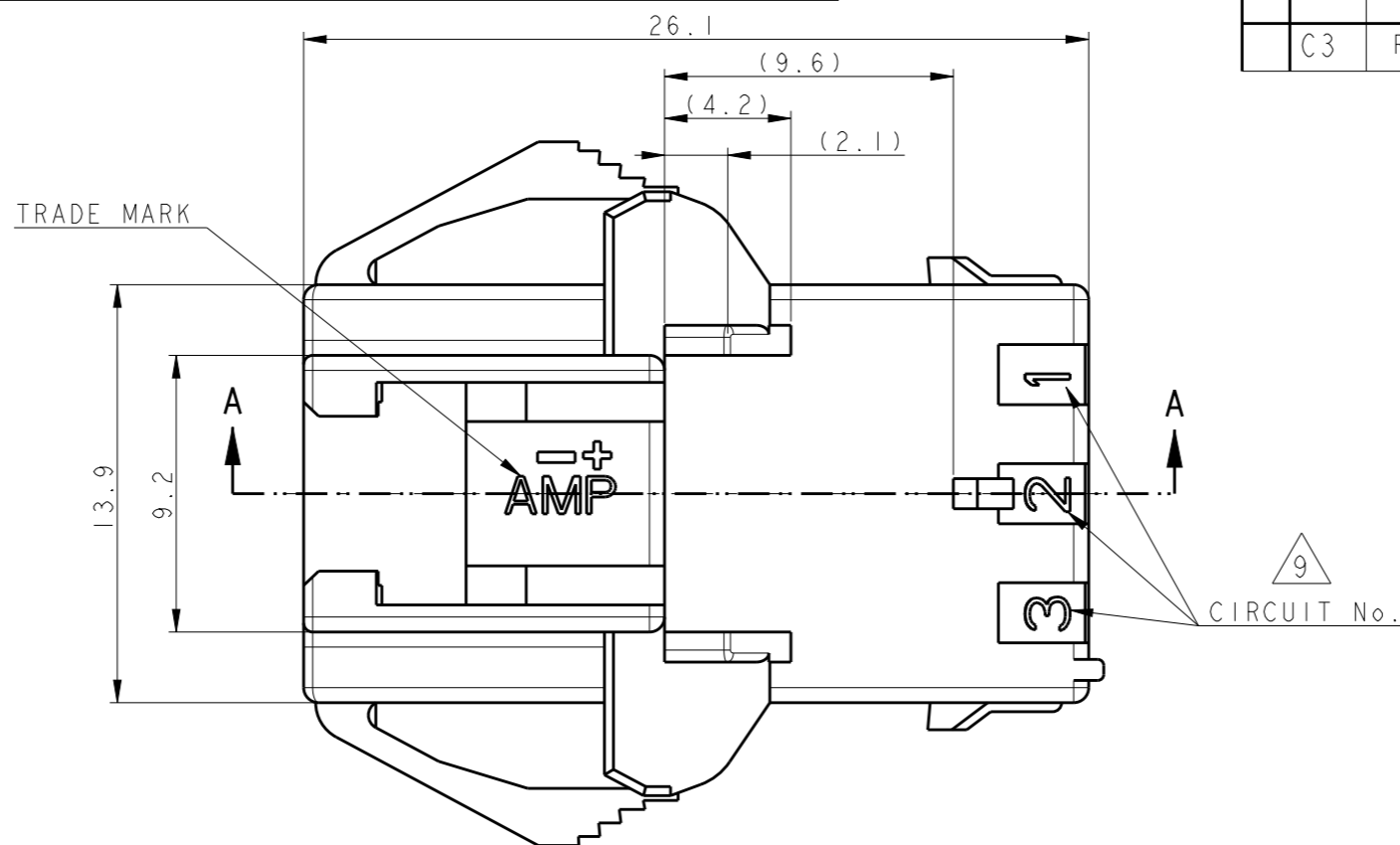
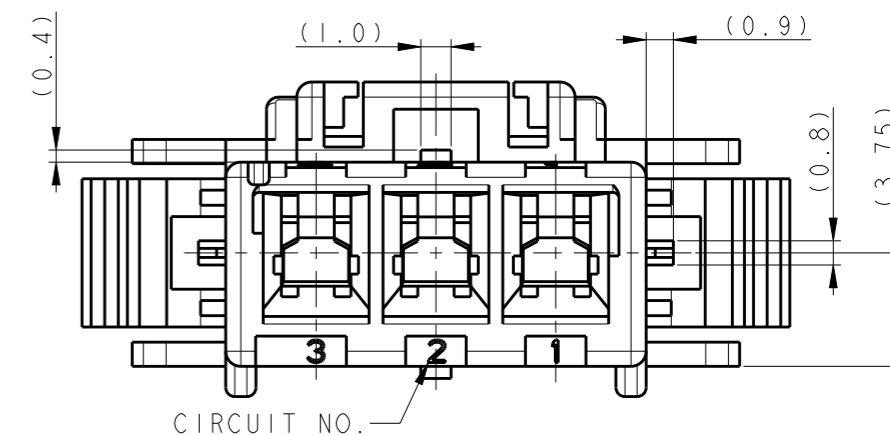
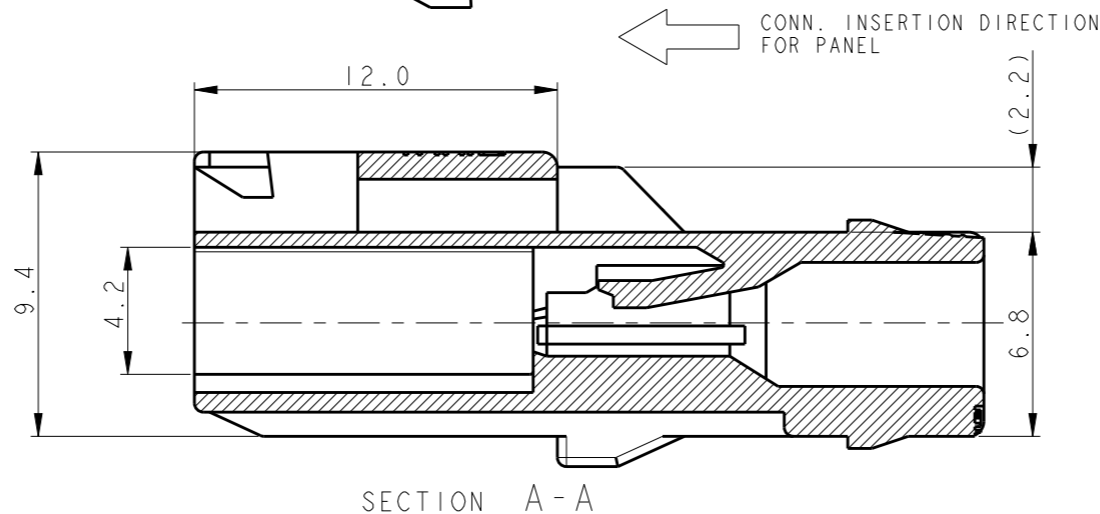
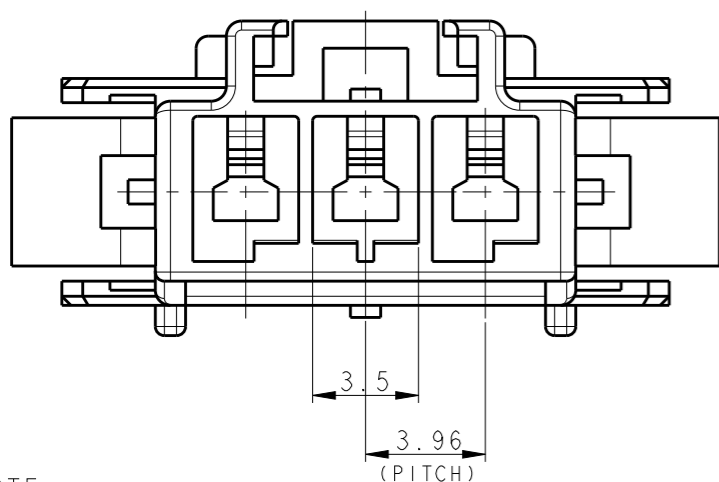


FIG 1. RECOMMENDED PANEL OPENING DIMENSION
 TOLERANCES: ±0.13

TABLE 1

TRADE MARK	MANUFACTURING PLACE
-+AMP OR AMP	CHINA
•AMP OR AMP	KOREA
-AMP OR AMP	JAPAN



NOTE;

1. APPLICABLE CONTACT P/N
 - TAB CONTACT: 177917-□ (AWG#20-#16)
 177916-□ (AWG#26-#22)
2. MATING CONN. P/N
 - PLUG HSG: 177899-□
 - REC CONTACT: 177915-□ (AWG#20-#16)
 : 177914-□ (AWG#26-#22)
4. APPLICABLE PLATE P/N: 177919-□
5. INSTRUCTION SHEET: 411-5638
6. APPLICATOIN PANEL THICKNESS: 0.8~2.0 (SEE FIG 1.)PART
7. INSERT CONN. FROM PRESS DIRECTION SIDE FOR METAL PANEL.
8. EDGE OF THICKNESS MAY MUST NOT ROUND FOR MOLDED PANEL.
- SEE TABLE 1
10. ALL PARTS MEET REI ELECTRICAL RATING OF 105°C ACCORDING TO UL1977
11. PART 5-177907-1 COMPLY WITH GLOW WIRE REQUIREMENT FOR PART OF NON-MATERIAL SUPPORTING A CURRENT-CARRYING CONNECTION DETAILED IN IEC60335-1 SECTION 30 (GWT)

3	5-177907-1	NATURAL
3	177907-9	BLACK
3	177907-6	BLUE
3	177907-4	YELLOW
3	177907-2	RED
3	177907-1	NATURAL
POS.	P/N	COLOR

THIS DRAWING IS A CONTROLLED DOCUMENT.		DWN M. SUZUKI 9. SEP. '93	TE Connectivity	
DIMENSIONS: mm		CHK M. SHINDO 9. SEP. '93		
TOLERANCES UNLESS OTHERWISE SPECIFIED:		APVD Y. KASHIWA 9. SEP. '93	NAME AMP PDL CONN., 3.96MM PITCH 3P CAP HOUSING (PANEL MOUNT)	
0 PLC ±:		PRODUCT SPEC 108-5410	SIZE A3	
1 PLC ±0.1		APPLICATION SPEC 114-5175	CAGE CODE 00779	DRAWING NO C-177907
2 PLC ±0.05		WEIGHT -	RESTRICTED TO -	
3 PLC ±0.025		CUSTOMER DRAWING	SCALE 4:1	SHEET 1 OF 1
4 PLC ±0.0001			REV C3	
ANGLES ±:				
MATERIAL 6/6 NYLON (UL94V-0)				
FINISH -				

X-ON Electronics

Largest Supplier of Electrical and Electronic Components

Click to view similar products for [Headers & Wire Housings](#) category:

Click to view products by [TE Connectivity](#) manufacturer:

Other Similar products are found below :

[892-18-020-10-001101](#) [58102-G61-06LF](#) [582553-1](#) [0009485154](#) [009176003701906](#) [0050291907](#) [LY20-4P-DT1-P1E-BR](#) [02.125.8002.8](#)
[609-3404](#) [61062-3](#) [61082-181009](#) [622-3653LF](#) [63453-116](#) [636-1030](#) [636-1427](#) [636-3427](#) [636-4007](#) [641938-9](#) [641991-4](#) [644827-2](#) [65817-010LF](#) [65817-015LF](#) [65863-015LF](#) [66207-023LF](#) [67095-007LF](#) [67601157](#) [68645-018](#) [68648-049](#) [70.362.1628.0](#) [70-4210](#) [70-4226B](#) [70-4853B](#) [707-5020](#) [707-5028](#) [71.350.2428.0](#) [71918-208LF](#) [71961-016LF](#) [733-134](#) [733-162](#) [754199-000](#) [760-3052](#) [787-8014-00](#) [79531-3000](#)
[FCN-360C032-B](#) [FCN-367T-T012/H](#) [FCN-723D010/2](#) [80.063.4001.1](#) [800-90-001-10-001000](#) [800-90-010-10-002000](#) [801-43-002-10-013000](#)