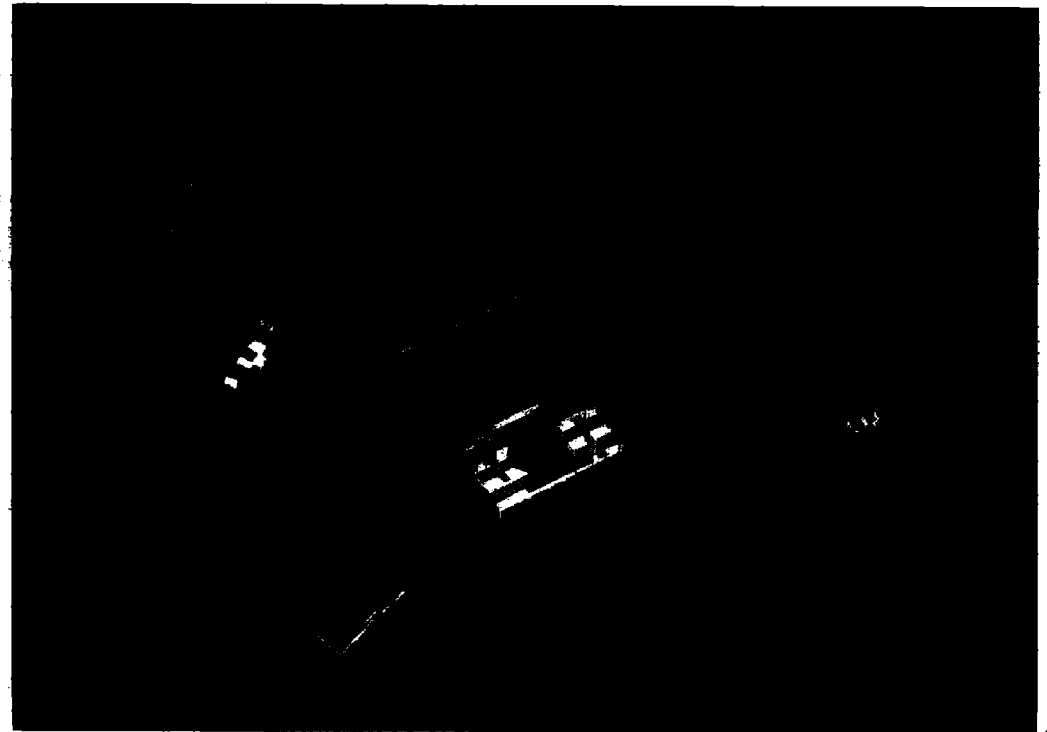


**Special Connectors**  
**AMP Spark Suppressor Connectors**

**Features**

- Provides a very effective and economic means of noise suppression as the diode can be installed close to electromagnetic parts.
- No wire stripping
- Two versions available—standard type and smaller Mark II.
- Installation of diode is simple. The standard type can be installed with a plier on the market, while Mark II by a special easy-to-use tool.
- Additional noise suppression circuits can be installed.
- Diodes can be replaced easily.
- Material:  
 Housing—94V-2 66 nylon, natural color  
 Contact—Tin-plated brass

AMP Spark Suppressor Connector is a product designed for use with a diode to suppress noise from the electromagnetic clutches, solenoids, electromagnetic counters, etc., incorporated into a variety of equipment. Consisting of a housing and two contacts, the connector provides a very effective and economic means of suppressing noise compared with conventional methods. Two versions are available. One is the conventional standard type and the other is Mark II which has been newly developed. Compared to the standard type, this Mark II is more compact in size and can be mounted onto smaller diodes. To install a diode, there is no need of stripping wires. Work is done easily and without fail through interaction between the housing's



wire mounting slot and the contact's slit. The standard type connector can be mounted with a plier on the market, while the Mark II connector with a special tool designed for exclusive use with it. The diode can be installed close to electromagnetic parts, so that noise will be suppressed to a minimum. Also, additional noise suppression circuits can be installed or the diode can be replaced easily if needed. In the past, when installing a diode to a equipment, it was necessary to apply for recognition as an application under appropriate standards. With this Spark Suppressor Connector, the connector has been recognized by UL. Therefore, the period of qualification tests will be reduced. The housing is made of 94V-2 66 nylon, natural color and the contact is tin-plated brass.

**Performance Data**

**<Standard Type>**  
**Wire size range:**  
 (UL1007) AWG #22, #20  
 (0.33-0.52mm<sup>2</sup>)  
**Wire insulation diameter:**  
 1.75-1.95mm  
**Applicable diode:**  
 Lead wire diameter—  
 0.77-0.82mm  
 Diode diameter—  
 5mm max.  
 Length—7mm max.  
**Operating temperature:**  
 -20 ~ +105°C  
**Current rating:** 3A  
**Voltage rating:** 250V AC  
**Insulation resistance:**  
 more than 1,000MΩ  
 (initial)  
 more than 100MΩ  
 (after humidity test)  
**Withstanding voltage between lines:** 1.5kV AC  
**Instruction Sheet:** IS-079J  
**Product Specifications:**  
 108-5123

**<Mark II Type>**  
**Wire size range:**  
 (UL1061/1571)  
 AWG #26, #24  
 7 stranded wire  
 (0.14-0.23mm<sup>2</sup>)  
**Wire insulation diameter:**  
 1.2mm  
**Applicable diode:**  
 Lead wire diameter—  
 0.5-0.6mm  
 Diode diameter—  
 3mm max.  
 Length—3.5mm max.  
**Operating temperature:**  
 -20 ~ +105°C  
**Current rating:** 1A  
**Voltage rating:** 250V AC  
**Insulation resistance:**  
 more than 1,000MΩ  
 (initial)  
 more than 100MΩ  
 (after humidity test)  
**Withstanding voltage between lines:** 1.5kV AC  
**Instruction Sheet:** IS-552J  
**Product Specifications:**  
 108-5346

**Special Connectors**  
**AMP Spark Suppressor Connectors**

**Standard Type**

**Housing**

(the lid is part of housing)

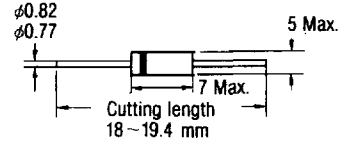
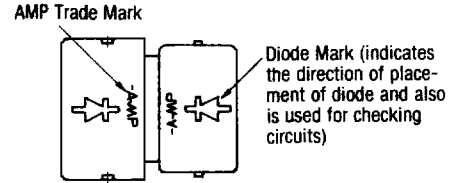
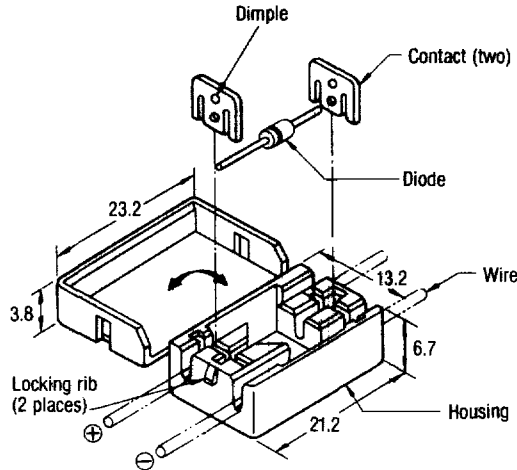
**Part Number: 172006-1**

**Material:** 66 Nylon,  
 94V-2 rated, Natural

**Contact (two required)**

**Part Number: 170284-1**

**Material:** Tin-plated Brass



**Diode** (not furnished by AMP)

**Mark II Type**

**Housing**

(the lid is part of housing)

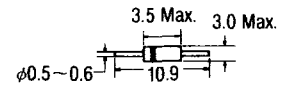
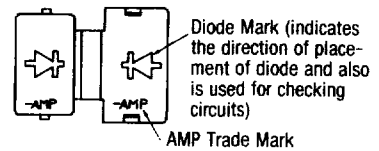
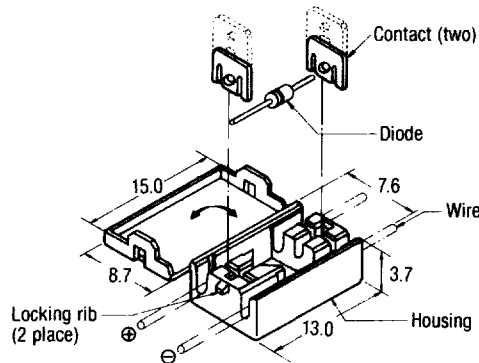
**Part Number: 178037-1**

**Material:** 66 Nylon,  
 94V-2 rated, Natural

**Contact (two required)**

**Part Number: 175222-1**

**Material:** Tin-plated Brass



**Diode** (not furnished by AMP)

**Crimping Hand Tool**

Part Number: 915702-1

## X-ON Electronics

Largest Supplier of Electrical and Electronic Components

*Click to view similar products for [Automotive Connectors](#) category:*

*Click to view products by [TE Connectivity](#) manufacturer:*

Other Similar products are found below :

[003-018-000](#) [60403001](#) [60993906-B](#) [M902-2131](#) [M902-2161](#) [72.330.1035.1](#) [73.353.4028.0](#) [F119300-B](#) [F166900](#) [F258300-B](#) [F358300-B](#)  
[F407400](#) [F444110](#) [F487000](#) [F509500B-B](#) [827153-1](#) [8N1515-32-24P](#) [9-1326729-8](#) [925474-1](#) [928905-1](#) [964562-4](#) [968782-1](#) [GT17SA-8DS-](#)  
[HU](#) [98891-1012](#) [98947-1016](#) [12004147](#) [12004475-L](#) [12010290](#) [12010309-B](#) [12015454](#) [12020219-B](#) [12020308](#) [12041318-B](#) [12052225-L](#)  
[12052466](#) [12059125](#) [12064869](#) [12004327-B](#) [12010503-B](#) [12015308](#) [12015384](#) [12015909](#) [1-21030-1](#) [12041254](#) [12041318](#) [12047946-B](#)  
[12047957](#) [12047957-L](#) [12059473](#) [12066261](#)