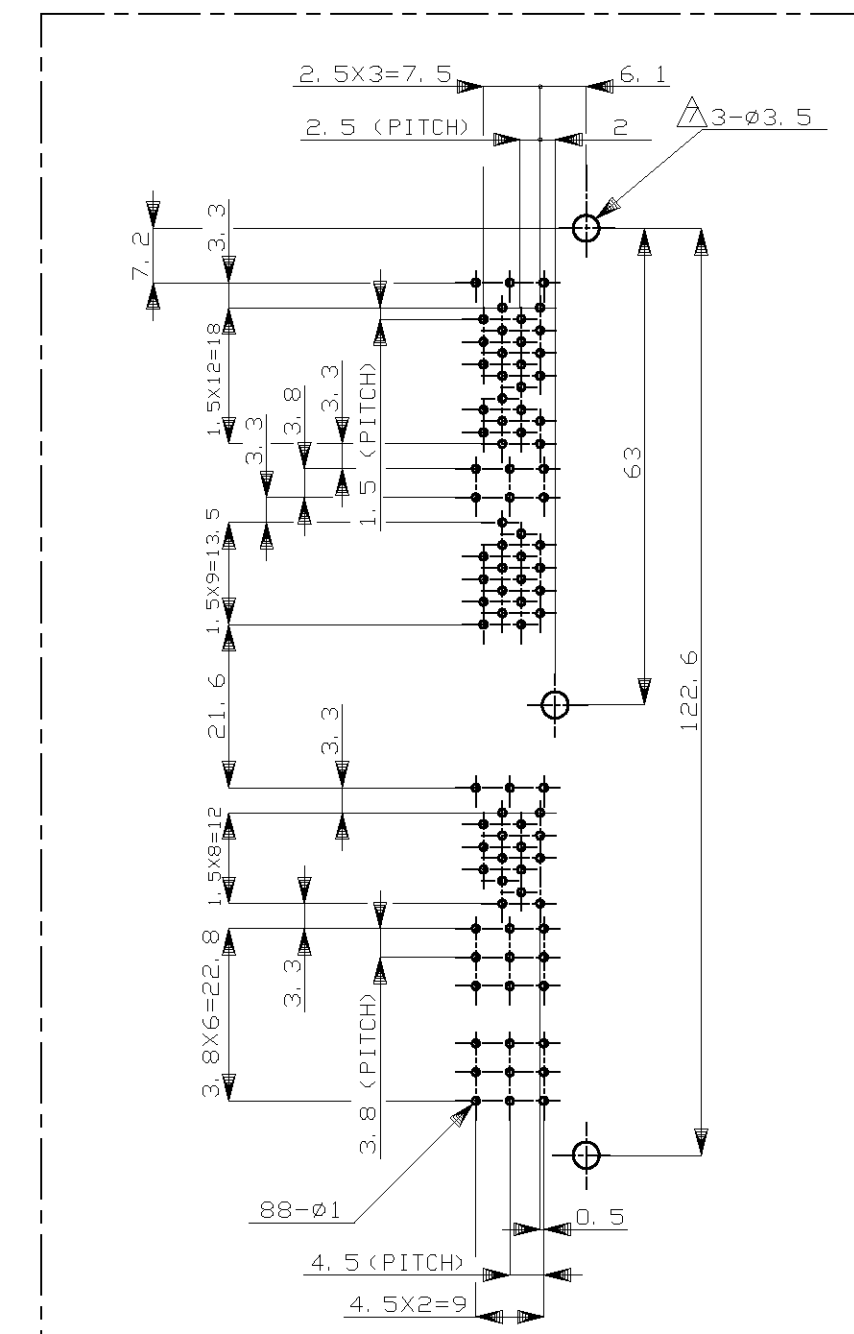
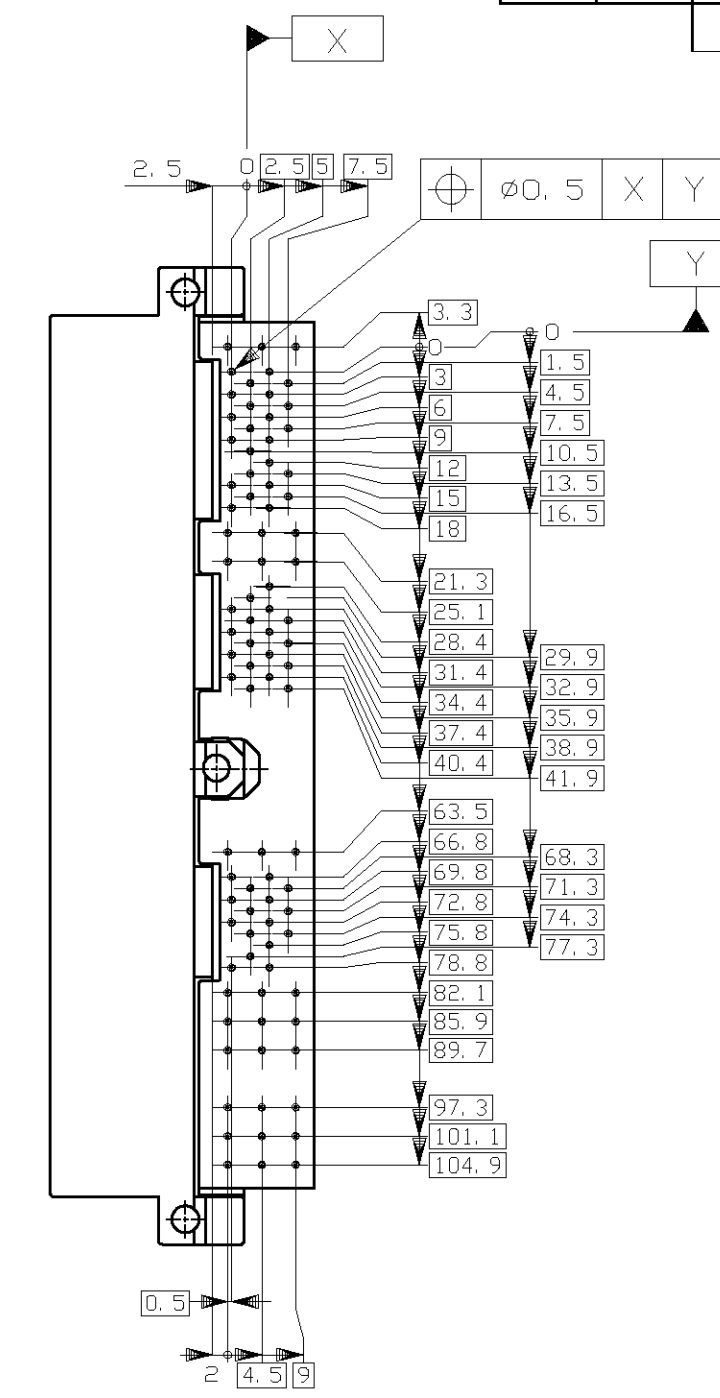
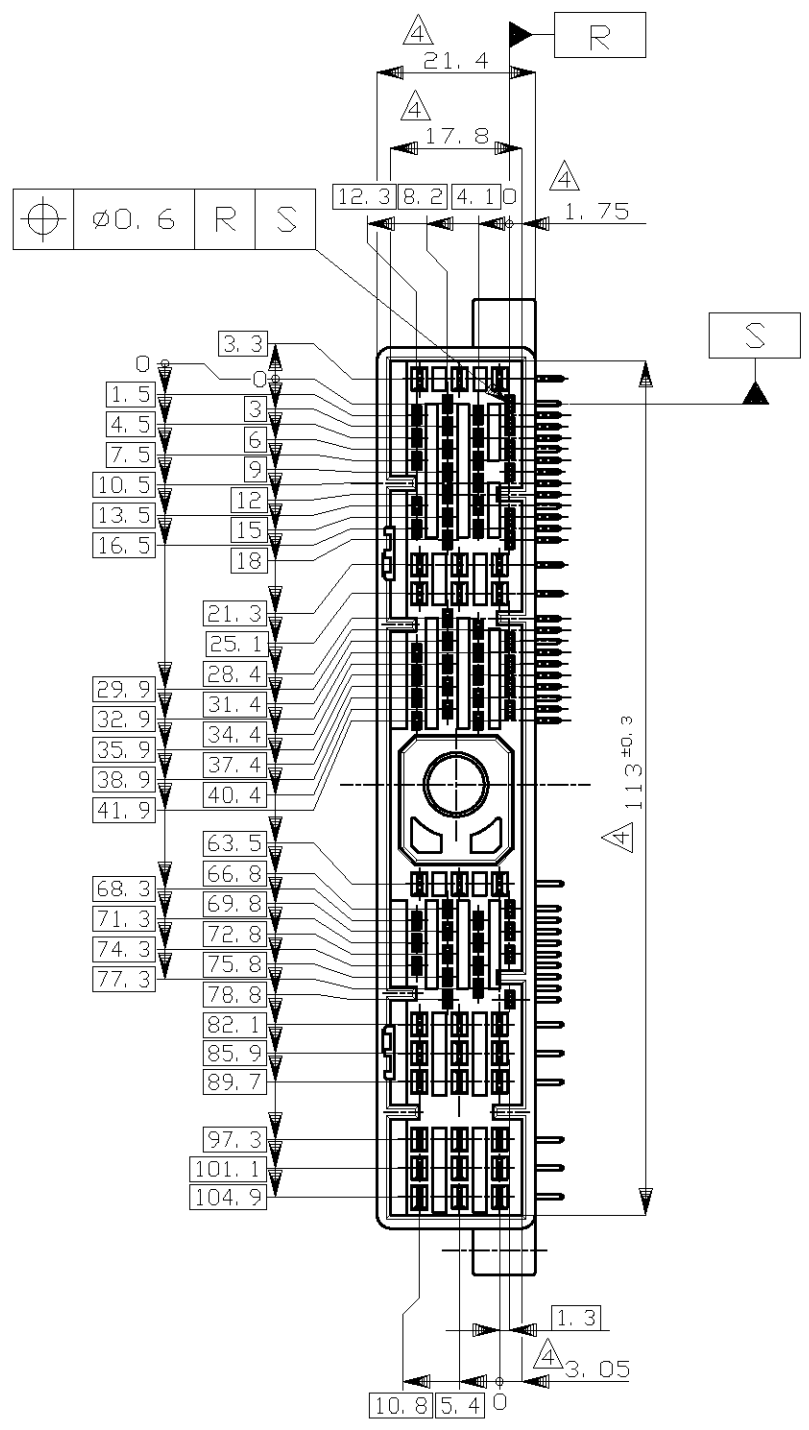
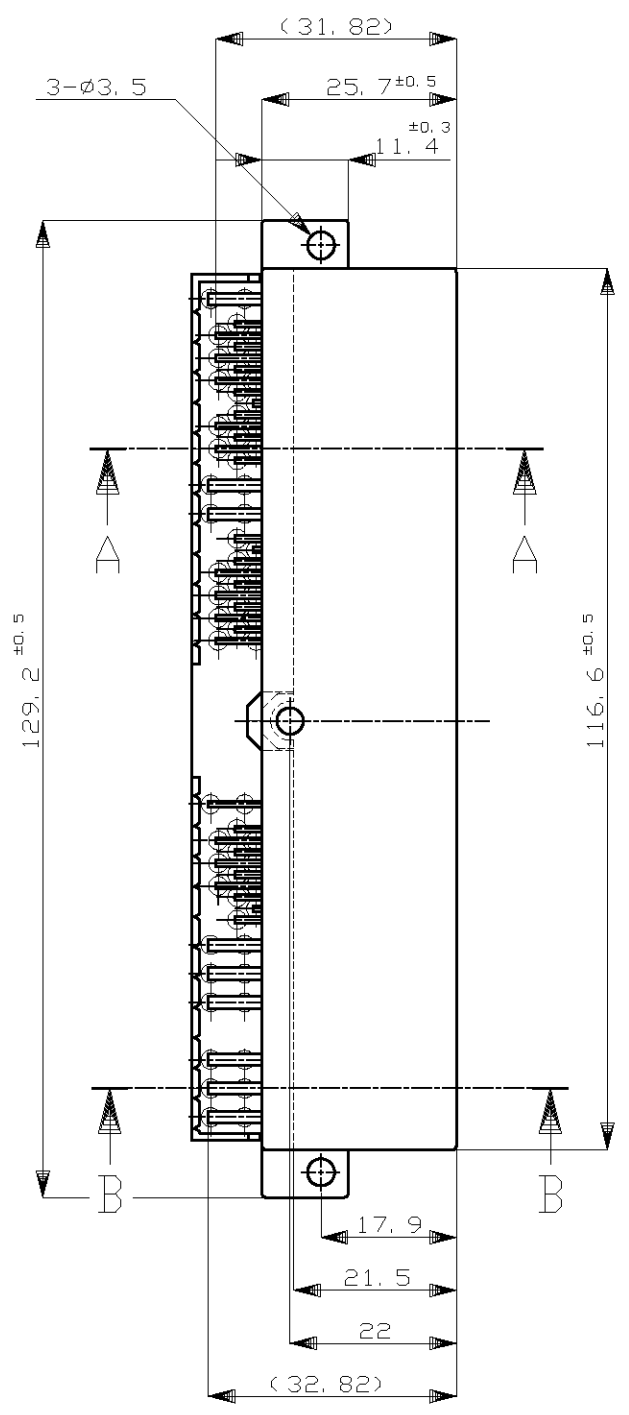
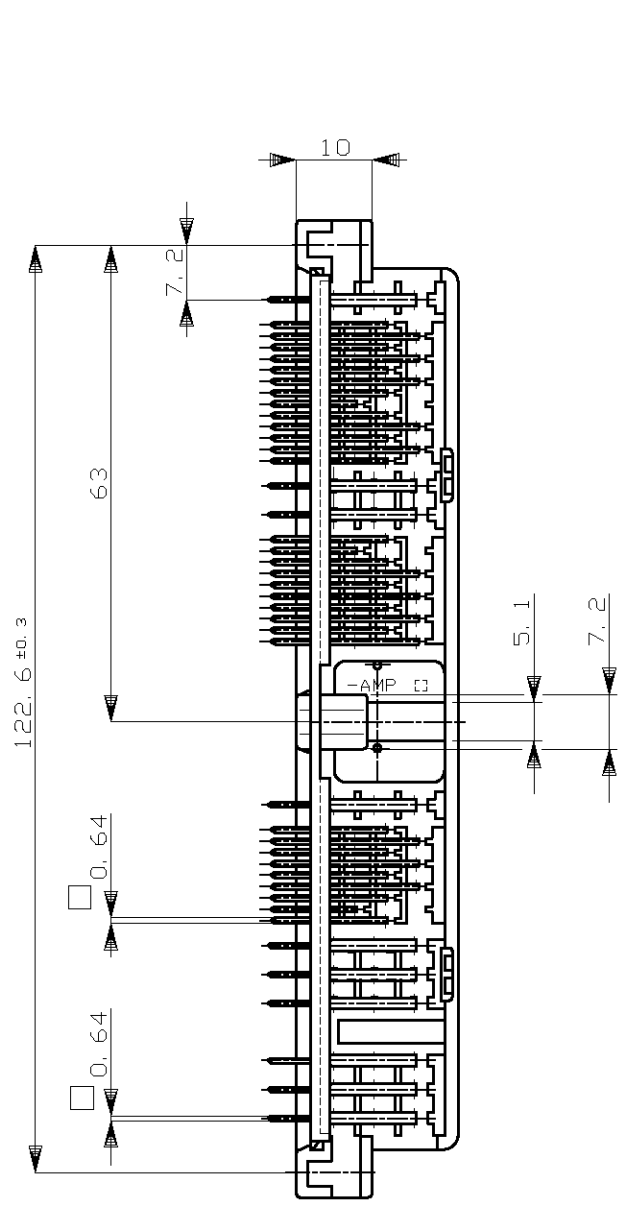
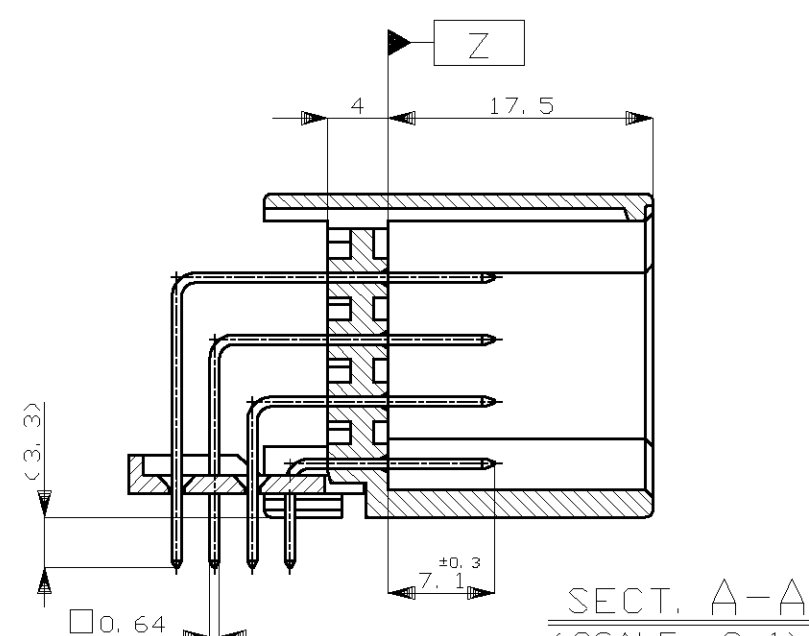


THIS DRAWING IS UNPUBLISHED. RELEASED FOR PUBLICATION
 © COPYRIGHT BY TYCO ELECTRONICS CORPORATION. ALL INTERNATIONAL RIGHTS RESERVED.

LOC	DIST	REVISIONS			
P	LTR	DESCRIPTION	DATE	DWN	APVD
J	-	REDRAWN W/CHANGE	ECR-11-004314	28FEB11	TS KB

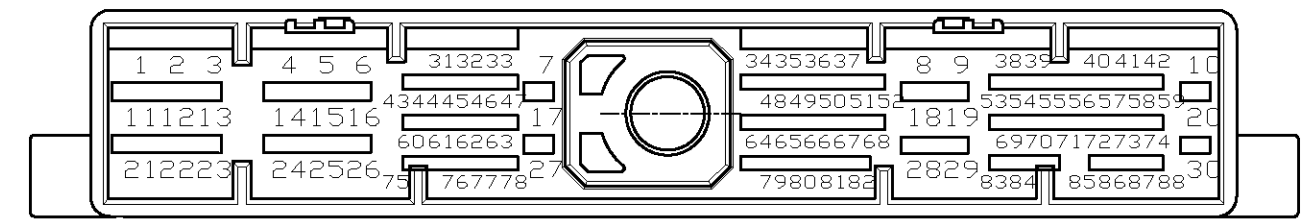
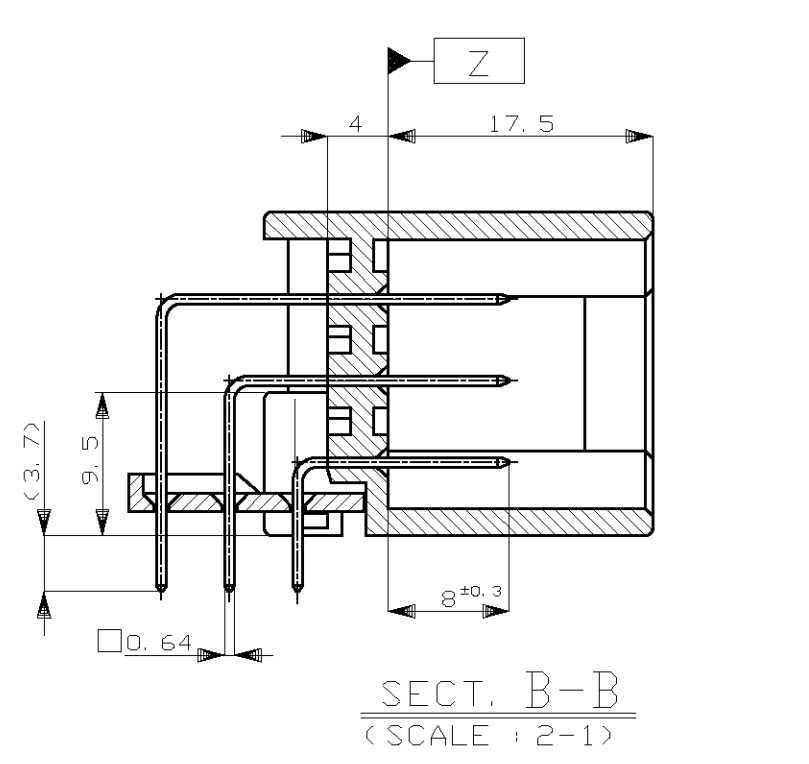


プリント基板取付寸法 (公差: ±0.1)
 (MOUNTING DIMENSION FOR P.C.B. BOARD: TOLERANCE ±0.1)
 *ピッチ公差は累積しないこと (NON ACCUMULATE PITCH TOLERANCE)



- 適用プリント基板厚: 1.6mm
- 推奨取付ネジ: 呼び 3mm小ネジ 又は JIS B1122
タッピンネジ, 呼び 4mm 長さ, 8~12mm
(締め付けトルク: 0.8~1.2N-m)
- 嵌合相手ハウジング番号: 178080
- Z- 面より2mmの範囲で測定
- 全面ニッケルメッキ上に接触部分は金メッキ
半田付部分は半田メッキ
- 金メッキ位置 (下図参照のこと)
- タッピンネジを使用する場合, 寸法は4.5mm

- APPLICABLE P.C.B BOARD THICKNESS: 1.6mm
- RECOMMENDED MOUNTING SCREW 3mm DIA SMALL SCREW
OR 4mm DIA, 8~12mm LENGTH TAPPING SCREW SPECIFIED
IN JIS B1122 (TIGHTENING TORQUE: 0.8~1.2N-m)
- THE MATING PLUG HOUSING PART NUMBER: 178080
- TO BE MEASURED WITH 2mm FROM -Z-
- GOLD PLATING FOR CONTACT AREA AND TIN-LEAD
PLATING FOR SOLDERING AREA OVER ALL-OVER
NICKEL PLATING
- GOLD TAB POSITIONS
- HOLE DIMENSIONS 4.5mm, WHEN USE TAPPING SCREW



GENERAL TOLERANCE
 一般公差
 10 > : ±0.2
 30 > : ±0.25
 100 > : ±0.3
 ANGLE: ±3°

OBSOLETE	PRE-TINNED (69) , SELECTIVE GOLD (19)	29,30,37~40,52,54~56,68~72,83~86	WHITE	3-178078-1
OBSOLETE	PRE-TINNED (68) , SELECTIVE GOLD (20)	29,30,37~40,52~56,68~72,83~86	WHITE	2-178078-1
OBSOLETE	PRE-TINNED (77) , SELECTIVE GOLD (11)	37~40,52,53,56,69,71,72,85	WHITE	178078-2
	PRE-TINNED (88)	-	WHITE	178078-1
	FINISH OF CONTACT タブ仕上げ (本数)	6	CIRCUIT NO. OF GOLD PLATED CONTACT 金メッキ端子使用回路番号	HOUSING COLOR ハウジング色
				PART NUMBER 製品型番

DIMENSIONS:		TOLERANCES UNLESS OTHERWISE SPECIFIED	Tyco Electronics Corporation	
mm			Kawasaki, Japan	
0 PLC	±		NAME	
1 PLC	±		T. SHINOHARA	
2 PLC	±		K. BETSUI	
3 PLC	±		NAME	
4 PLC	±		K. BETSUI	
ANGLES	±		PRODUCT SPEC	
			APPLICATION SPEC	
			WEIGHT	
			A2 00779 C=178078	
MATERIAL			SCALE	SHEET
HOUSING: PBT			1:1	1 OF 1
CONTACT: BRASS			REV	F
CUSTOMER DRAWING				

X-ON Electronics

Largest Supplier of Electrical and Electronic Components

Click to view similar products for [Automotive Connectors](#) category:

Click to view products by [TE Connectivity](#) manufacturer:

Other Similar products are found below :

[003-018-000](#) [60403001](#) [60993906-B](#) [M902-2131](#) [M902-2161](#) [72.330.1035.1](#) [73.353.4028.0](#) [F119300-B](#) [F166900](#) [F258300-B](#) [F358300-B](#)
[F407400](#) [F444110](#) [F487000](#) [F509500B-B](#) [827153-1](#) [8N1515-32-24P](#) [9-1326729-8](#) [925474-1](#) [928905-1](#) [964562-4](#) [968782-1](#) [GT17SA-8DS-](#)
[HU](#) [98891-1012](#) [98947-1016](#) [12004147](#) [12004475-L](#) [12010290](#) [12010309-B](#) [12015454](#) [12020219-B](#) [12020308](#) [12041318-B](#) [12052225-L](#)
[12052466](#) [12059125](#) [12064869](#) [12004327-B](#) [12010503-B](#) [12015308](#) [12015384](#) [12015909](#) [1-21030-1](#) [12041254](#) [12041318](#) [12047946-B](#)
[12047957](#) [12047957-L](#) [12059473](#) [12066261](#)