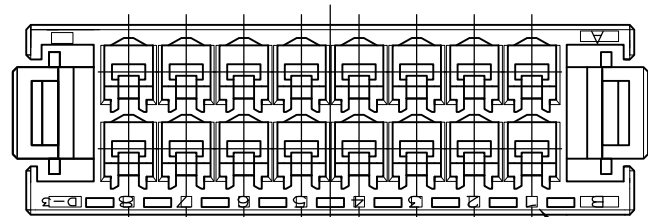


THIS DRAWING IS UNPUBLISHED. RELEASED FOR PUBLICATION

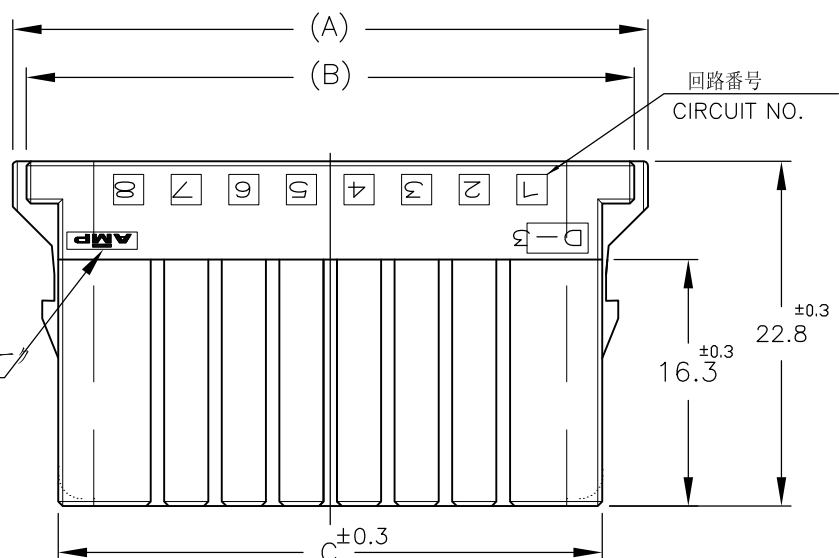
© COPYRIGHT - By Tyco Electronics Japan G.K.

ALL RIGHTS RESERVED.

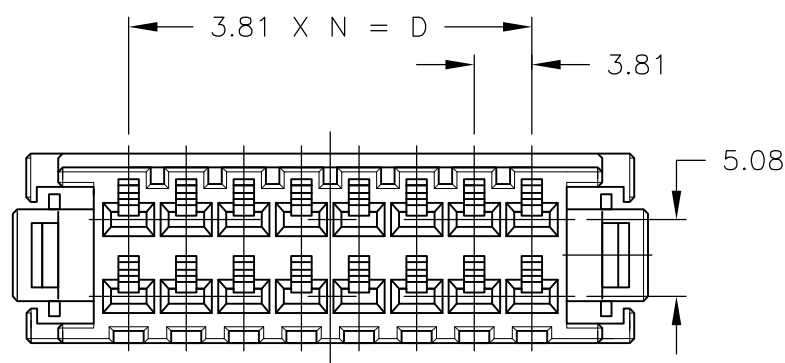
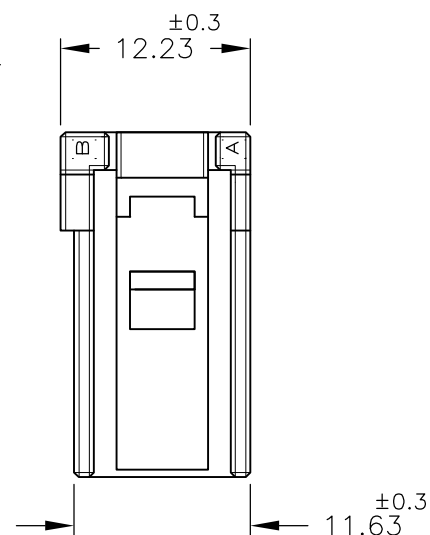
LOC	DIST	REVISIONS					
J	-	P	LTR	DESCRIPTION	DATE	DWN	APVD
			C9	REVISED	11NOV2014	K.T	N.Y



回路番号
CIRCUIT NO.



AMPマーク&ロケーションマーク
AMP MARK &
LOCATION MARK



NOTE

- 1 MATERIAL:GLASS FIELD THERMO PLASTIC,POLYESTER
COLOR;BLACK
- ~~2 TO COAT ALL SURFACE OF HOUSING WITH TEFLON~~
- 3 THE SHAPE,SIZE AND POSITION OFTHE CHARACTER
SHOW THE OUTLINE THEY DON'T SHOW DETAILS

注記

- 1 材料: ガラス入り熱可塑性ポリエステル樹脂
色: 黒色
- ~~2 ハウジング全面にテフロン塗装のこと~~
- 3 文字の形状、大きさ、および位置については、大略を示すものであり、
詳細を示すものではありません。

		20 POS.	51.03	47.83	43.37	34.29	9	178289-8
OBSOLETE	△	16 POS.						5=178289=7
OBSOLETE	△	16 POS.						178289-7
								SEE SHEET 20F2
		12 POS.	35.79	32.59	28.13	19.05	5	178289-6
OBSOLETE	△	10 POS.	31.98	28.78	24.32	15.24	4	5=178289=5
		10 POS.	31.98	28.78	24.32	15.24	4	178289-5
		8 POS.	28.17	24.97	20.51	11.43	3	178289-4
OBSOLETE	△	6 POS.	24.36	21.16	16.70	7.62	2	5=178289=3
		6 POS.	24.36	21.16	16.70	7.62	2	178289-3
FINISH	POS.	DIMENSION	A	B	C	D	N	PART NUMBER

THIS DRAWING IS A CONTROLLED DOCUMENT.

DWN N.MATSUBARA 09JUL1991
CHK H.OBATA 24FEB1992
APVD S.MANABE 04MAR1992

STE TE Connectivity

NAME: REC HSG FOR DYNAMIC DPUBLE ROW
DYNAMIC D-3100 REC HSG

PRODUCT SPEC: -
APPLICATION SPEC: -
WEIGHT: -

SIZE: A3 CAGE CODE: 00779 DRAWING NO: C-178289 RESTRICTED TO: -

CUSTOMER DRAWING SCALE: 2:1 SHEET: 1 OF 2 REV: C9

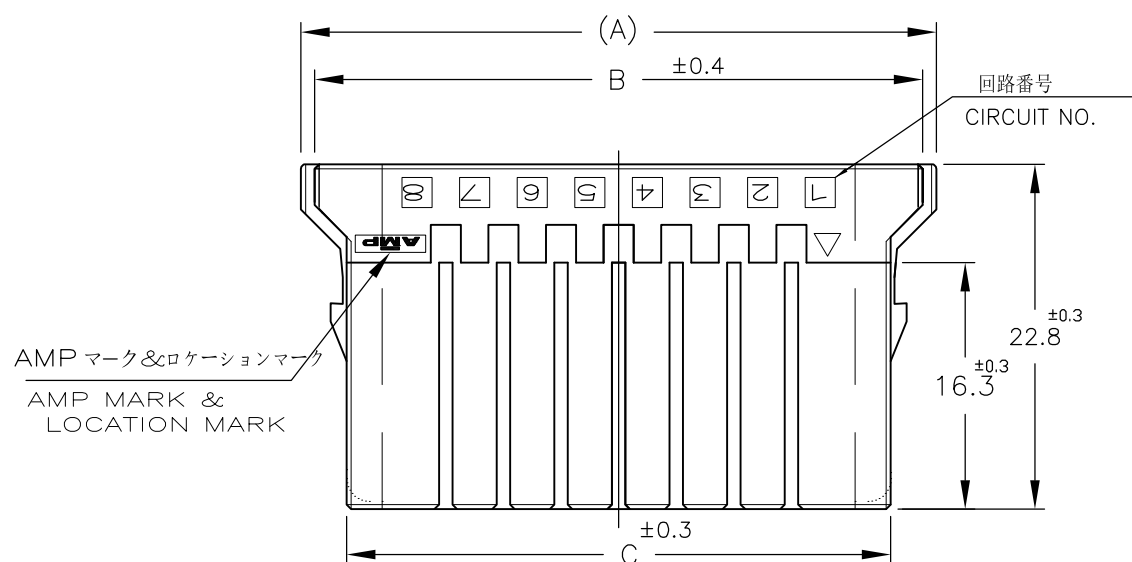
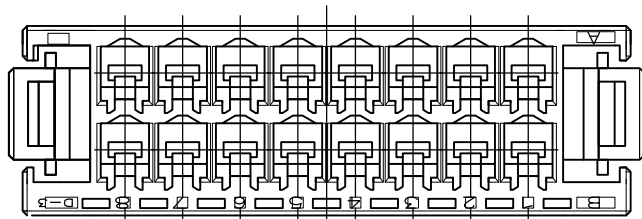
THIS DRAWING IS UNPUBLISHED.

RELEASED FOR PUBLICATION

© COPYRIGHT - By Tyco Electronics Japan G.K.

ALL RIGHTS RESERVED.

LOC	DIST	REVISIONS					
J	-	P	LTR	DESCRIPTION	DATE	DWN	APVD
		-		SEE SHEET 1	-	-	-



NOTE:SEE SHEET 1 OF 2

OBSOLETE										5-178289-7
		16POS	42.71	40.21	35.97	26.67	7			178289-7
		FINISH	POS.	DIMENSION	A	B	C	D	N	PART NUMBER

THIS DRAWING IS A CONTROLLED DOCUMENT.		DWN	N.MATSUBARA	09JUL1991	TE Connectivity REC HSG FOR DYNAMIC DPUBLE ROW DYNAMIC D-3100 REC HSG		RESTRICTED TO			
DIMENSIONS: mm		CHK	H.OBATA	24FEB1992			NAME			
 TOLERANCES UNLESS OTHERWISE SPECIFIED: 0 PLC ± 10 > : ±0.2 1 PLC ± < 30 : ±0.25 2 PLC ± 30 < 100 : ±0.3 3 PLC ± 4 PLC ANGLES ± 3°		APVD	S.MANABE	04MAR1992			PRODUCT SPEC			
MATERIAL SEE NOTE							APPLICATION SPEC			
		WEIGHT	-		SIZE	A3	CAGE CODE	00779	DRAWING NO	C-178289
CUSTOMER DRAWING					SCALE	2:1	SHEET	2 OF 2	REV	C9

X-ON Electronics

Largest Supplier of Electrical and Electronic Components

Click to view similar products for [Headers & Wire Housings](#) category:

Click to view products by [TE Connectivity](#) manufacturer:

Other Similar products are found below :

[892-18-020-10-001101](#) [58102-G61-06LF](#) [582553-1](#) [0009485154](#) [009176003701906](#) [0050291907](#) [LY20-4P-DT1-P1E-BR](#) [02.125.8002.8](#)
[609-3404](#) [61062-3](#) [61082-181009](#) [622-3653LF](#) [63453-116](#) [636-1030](#) [636-1427](#) [636-3427](#) [636-4007](#) [641938-9](#) [641991-4](#) [644827-2](#) [65817-](#)
[010LF](#) [65817-015LF](#) [65863-015LF](#) [66207-023LF](#) [67095-007LF](#) [67601157](#) [68645-018](#) [68648-049](#) [70.362.1628.0](#) [70-4210](#) [70-4226B](#) [70-](#)
[4853B](#) [707-5020](#) [707-5028](#) [71.350.2428.0](#) [71918-208LF](#) [71961-016LF](#) [733-134](#) [733-162](#) [754199-000](#) [760-3052](#) [787-8014-00](#) [79531-3000](#)
[FCN-360C032-B](#) [FCN-367T-T012/H](#) [FCN-723D010/2](#) [80.063.4001.1](#) [800-90-001-10-001000](#) [800-90-010-10-002000](#) [801-43-002-10-013000](#)