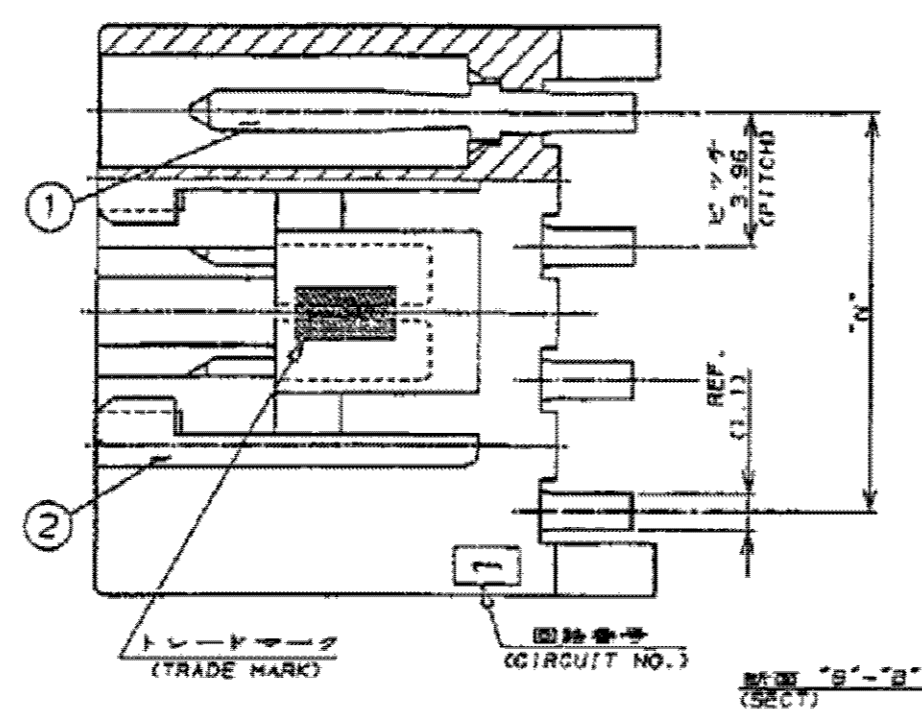
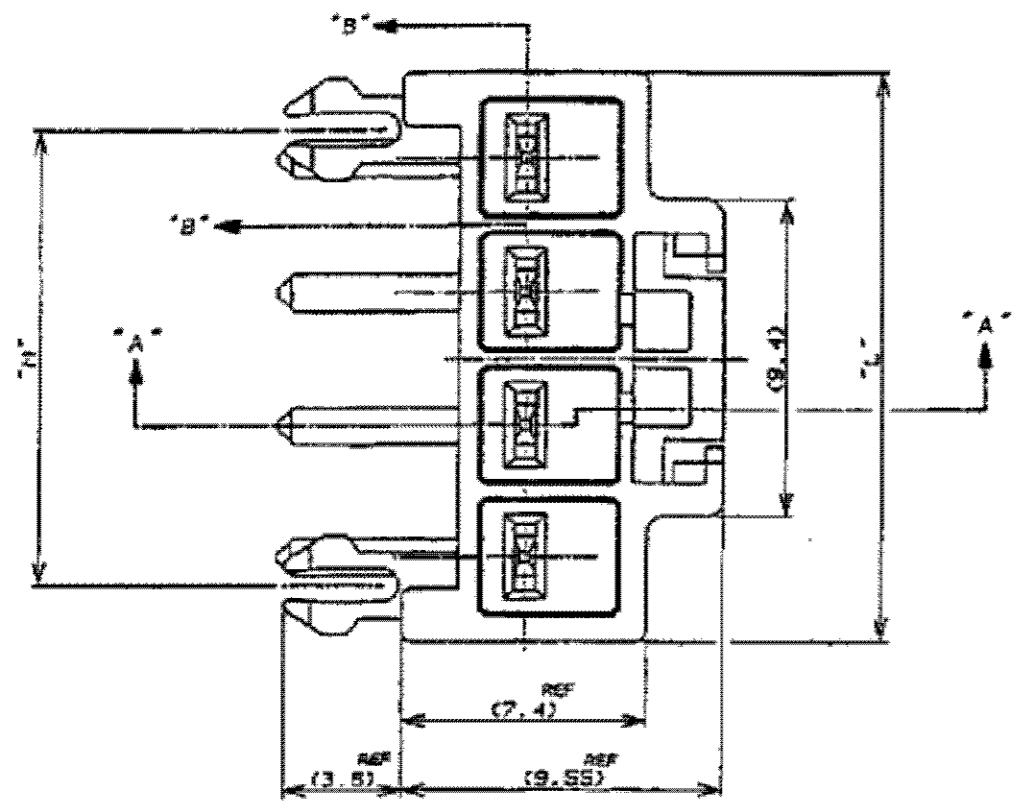


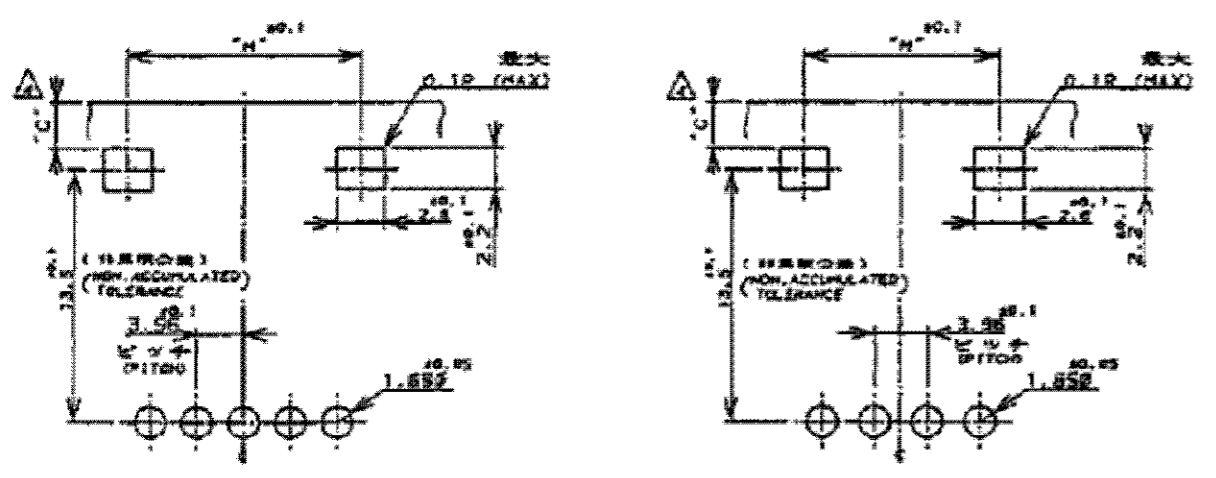
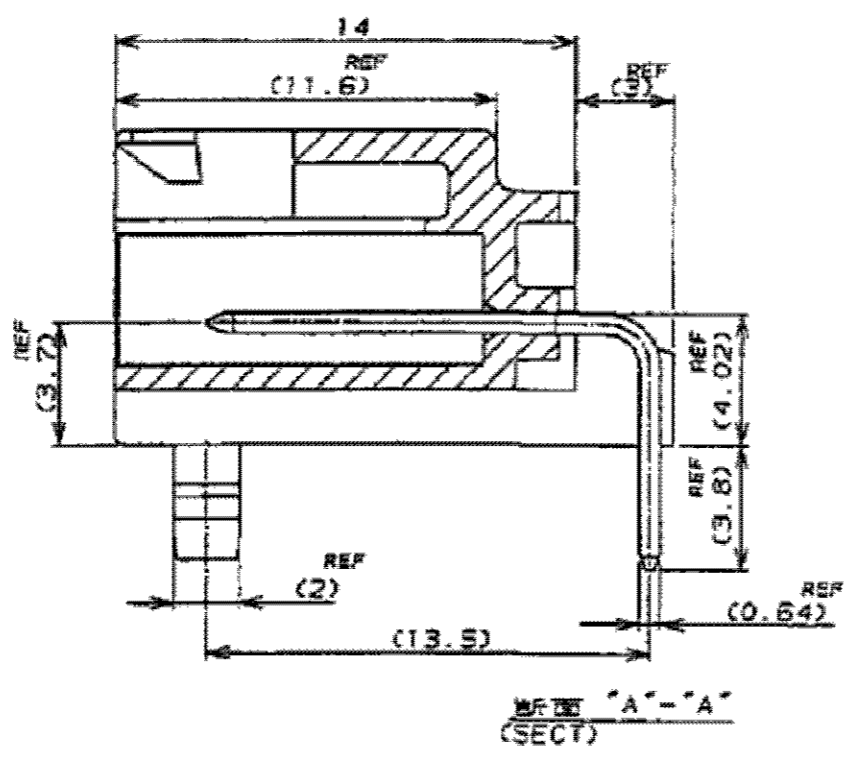
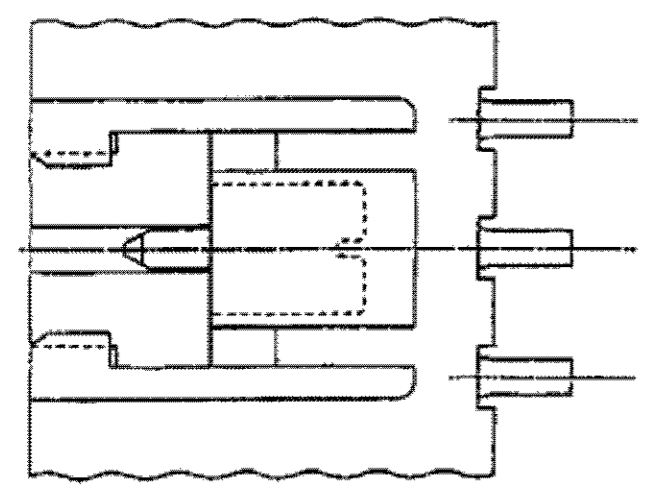
THIS DRAWING IS UNPUBLISHED. RELEASED FOR PUBLICATION
 © COPYRIGHT BY TYCO ELECTRONICS CORPORATION. ALL RIGHTS RESERVED.

LOC	DIST	REVISIONS					
J	-	P	LTR	DESCRIPTION	DATE	DWN	APVD
		F		REVISED ECR-08-005781	05MAR'08	J.S	S.M
		F1		REVISED PER ECO-10-000444	01FEB'10	KK	HMR



- 注:
 1. 適用製品規格 108-5302
 2. 5極ハウジングの回路NO.2と4のコンタクト2本抜き仕様
 3. かん合相手製品型番
 3.96MM ピッチ2極プラグハウジング:表2参照
 リセコンタクト: 175151-X (AWG#26-#22)
 : 175152-X (AWG#20-#16)
 △ C寸法は基板穴をパンチ加工する場合、
 基板にクラックが発生しない様、寸法設定してください。
 △ 4極ハウジングの回路NO.1と3のコンタクト2本抜き仕様
 △ 4極ハウジングの回路NO.2と4のコンタクト2本抜き仕様

- NOTES:
 1. PRODUCT SPEC 108-5302
 △ CIRCUIT NO.2 AND 4 ARE VACANT OF 5POS HOUSING
 3. MATING CONN. P/N
 3.96MM PITCH 2POS PLUG HSG: SEE TABLE 2
 REC CONTACT: 175151-X (AWG#26-#22)
 : 175152-X (AWG#20-#16)
 △ PLEASE DECIDE THE DIMENSION C SO THAT PREVENT CRACKING
 OF P.C.B
 △ CIRCUIT NO.1 AND 3 ARE VACANT OF 4POS HOUSING
 △ CIRCUIT NO.2 AND 4 ARE VACANT OF 4POS HOUSING
 △ OBSOLETE PARTS: OBSOLETE CIS STREAMLINING
 PER D.RENAUD/D.SINISI



型番 178498 対象 (APPLIED P/N 178498) 型番 178497 対象 (APPLIED P/N 178497)
 178499 対象 (APPLIED P/N 178499)

表1 TABLE1

NO.	名称 (NAME)	材料 (MATERIAL)
①	タブ (TAB)	黄銅 錫めっき (BRASS TIN PLATED)
②	ヘッダーハウジング (HEADER HOUSING)	6/6ナイロンガラス強化(94V-0) (6/6 NYLON GLASS FILLED)

基板レイアウト寸法 (P.C.B LAYOUT)
 適用基板厚 1.6 (APPLICABLE P.C.B THK 1.6)

表2 TABLE 2

ヘッダーアセンブリP/N (HDR ASS'Y P/N)	極数 (POS.)	適合相手 P/N (MATING CONN. P/N)
178497	4	178481
178498	5	178482
178499	6	178483

寸法 (DIMENSION)	11.88	13.58	16.98	19.80	21.50	24.90	15.84	17.54	20.94	11.88	13.58	16.98	11.88	13.58	16.98
3.96MMピッチ4極 (3.96MM PITCH 4POS)	↑	↑	↑	↑	↑	↑	↑	↑	↑	↑	↑	↑	↑	↑	↑
7.92MMピッチ2極 (7.92MM PITCH 2POS)	↑	↑	↑	↑	↑	↑	↑	↑	↑	↑	↑	↑	↑	↑	↑
3.96MMピッチ6極 (3.96MM PITCH 6POS)	↑	↑	↑	↑	↑	↑	↑	↑	↑	↑	↑	↑	↑	↑	↑
7.92MMピッチ3極 (7.92MM PITCH 3POS)	↑	↑	↑	↑	↑	↑	↑	↑	↑	↑	↑	↑	↑	↑	↑
3.96MMピッチ5極 (3.96MM PITCH 5POS)	↑	↑	↑	↑	↑	↑	↑	↑	↑	↑	↑	↑	↑	↑	↑
3.96MMピッチ4極 (3.96MM PITCH 4POS)	↑	↑	↑	↑	↑	↑	↑	↑	↑	↑	↑	↑	↑	↑	↑
コネクタピッチ及び極数 (CONN.PITCH AND POS)	↑	↑	↑	↑	↑	↑	↑	↑	↑	↑	↑	↑	↑	↑	↑
ハウジング色調 (COLOR)	↑	↑	↑	↑	↑	↑	↑	↑	↑	↑	↑	↑	↑	↑	↑
型番 (P/N)	↑	↑	↑	↑	↑	↑	↑	↑	↑	↑	↑	↑	↑	↑	↑

THIS DRAWING IS A CONTROLLED DOCUMENT. DWN Y.NARISAWA 08MAR'91
 CHK N.ONOUE 13MAR'91
 APVD Y.FUJITA 13MAR'91

Tyco Electronics Corporation
 Kawasaki, Japan

AMP UP CONN. 3.96MM PITCH 4-6POS
 TAB HEADER ASSY (H TYPE)

SIZE A2 CAGE CODE 00779 DRAWING NO. 178497
 SHEET 1 OF 1

RESTRICTED TO
 CUSTOMER DRAWING

SCALE 1:1 SHEET 1 OF 1 REV F1

X-ON Electronics

Largest Supplier of Electrical and Electronic Components

Click to view similar products for [AC Power Plugs & Receptacles](#) category:

Click to view products by [TE Connectivity](#) manufacturer:

Other Similar products are found below :

[739W-X2/03-BACK1](#) [85447L](#) [1301460003](#) [1301520016](#) [1301520008](#) [14W07](#) [15W07](#) [22806](#) [26W47](#) [929662-1](#) [27W81](#) [962160-1](#)
[29W08MB](#) [29W82](#) [26W](#) [26W76BLK](#) [27W47](#) [27W48](#) [28W](#) [28W81](#) [29W47MB](#) [HDR-E14FG1+](#) [30-9717-25](#) [43305](#) [85266](#) [5262DW](#) [22801](#)
[22804](#) [25W47](#) [701W-15/06](#) [701W-20/27](#) [27T76](#) [739W-20/XX](#) [1301860536](#) [1301520018](#) [1301520021](#) [1301520020](#) [8210GY](#) [29W48](#) [3011-](#)
[06](#) [739W-X2/XX3](#) [26T49](#) [2707](#) [26W47-W](#) [1301450073](#) [RECWALLBOXBA](#) [1301490033](#) [30-1511](#) [30-9707-BU](#) [30-9733-BU](#)