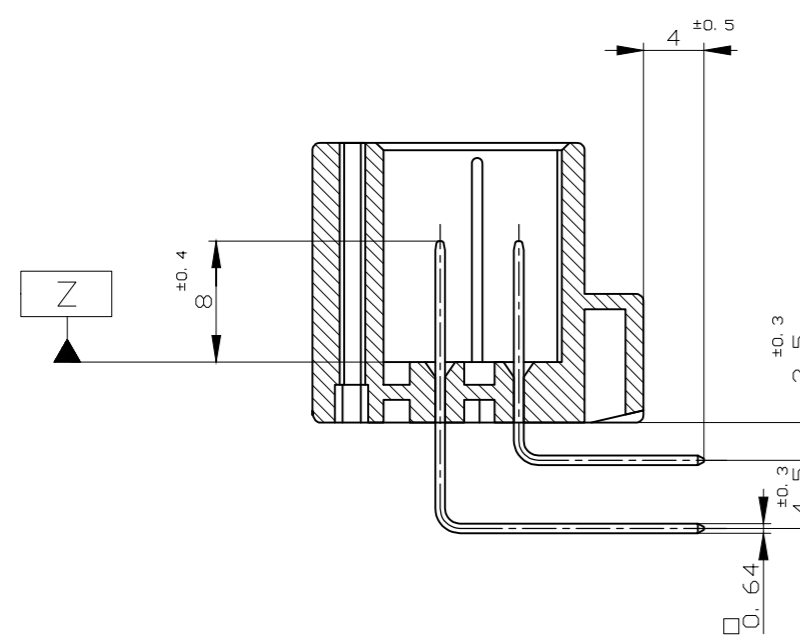
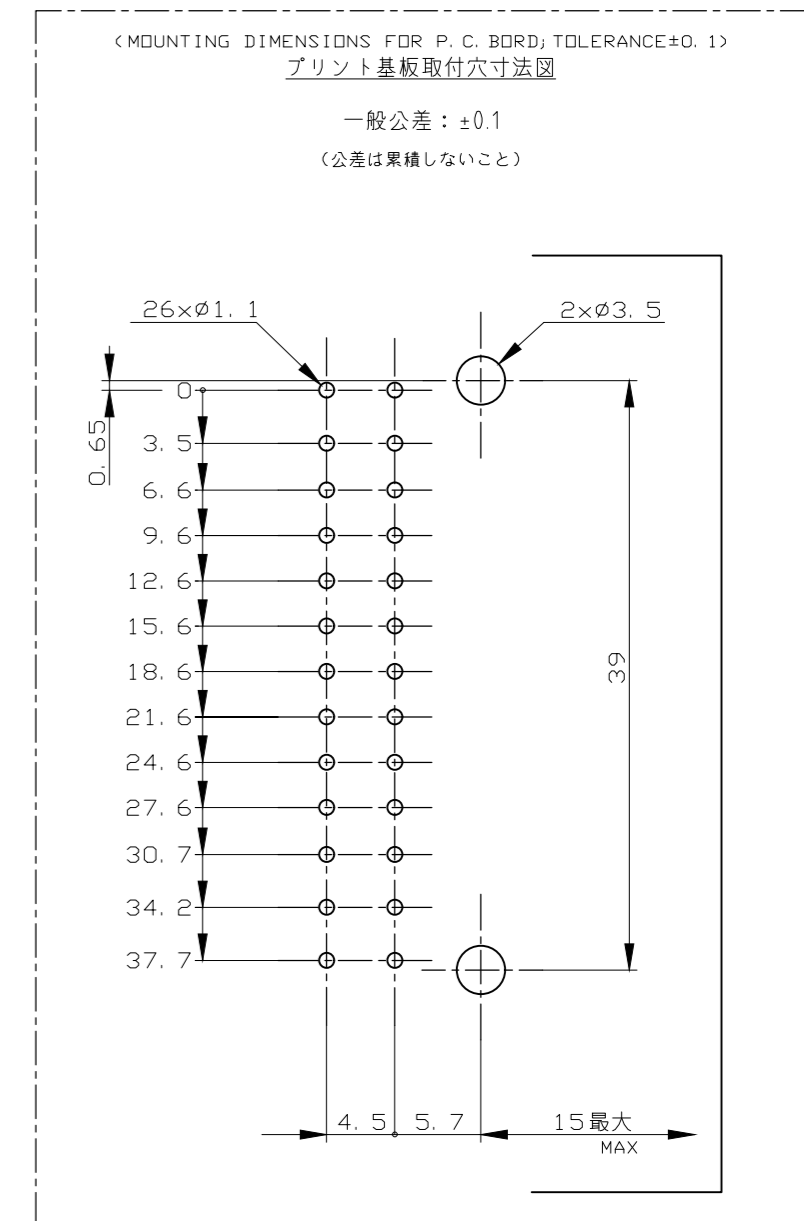
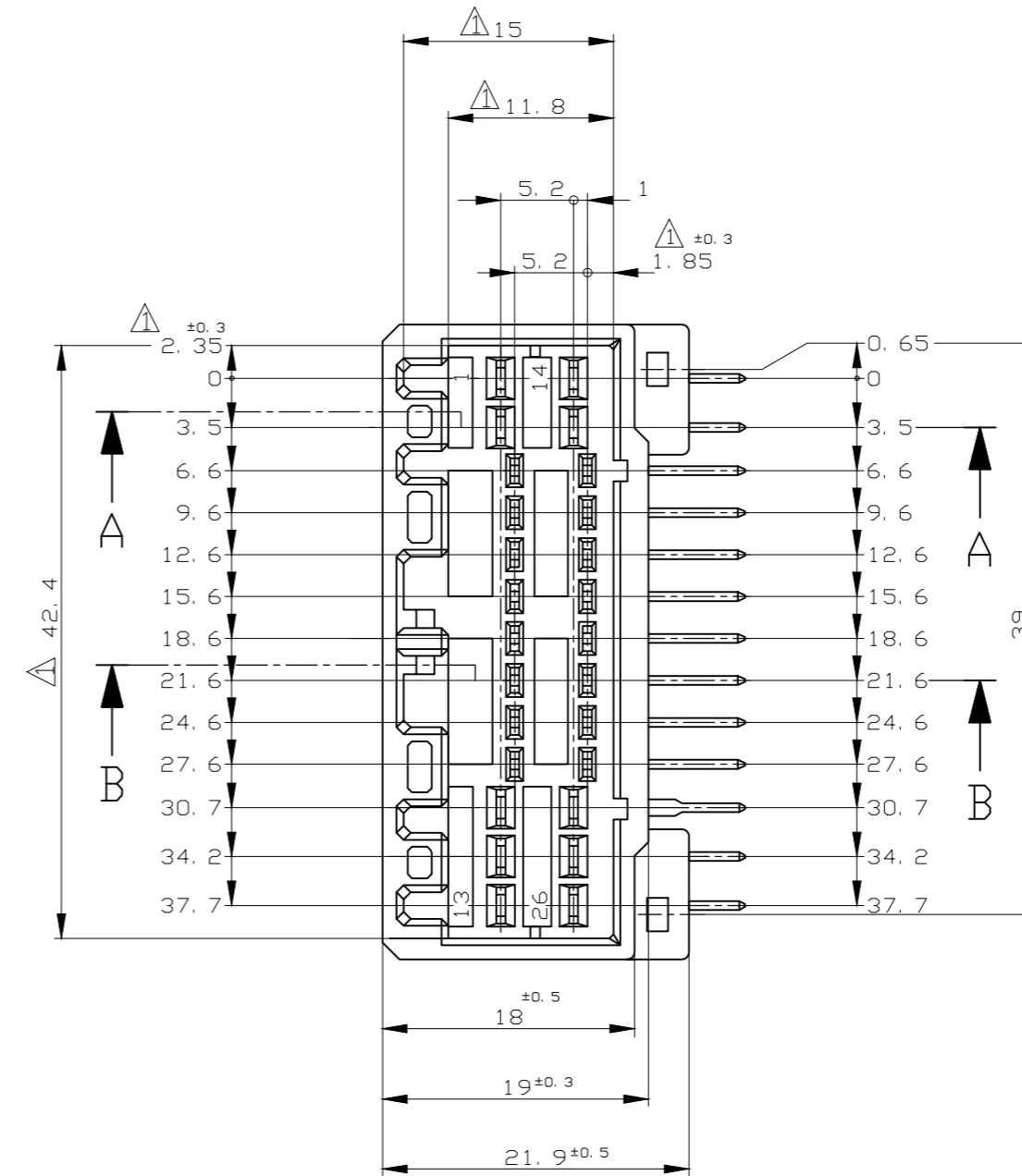
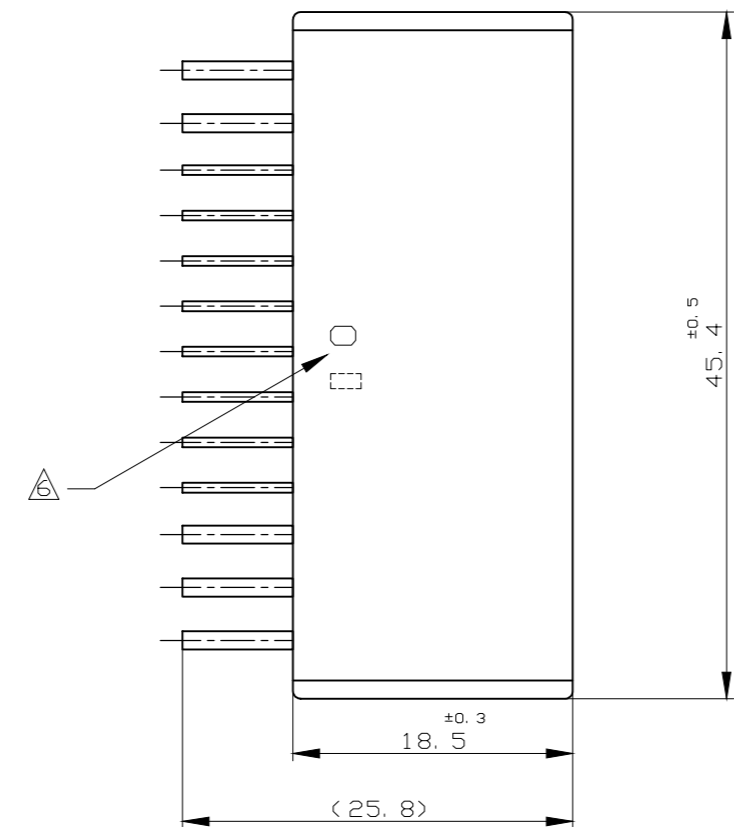
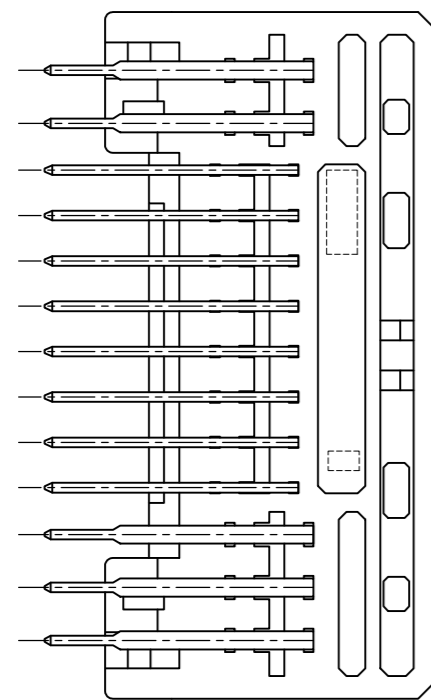
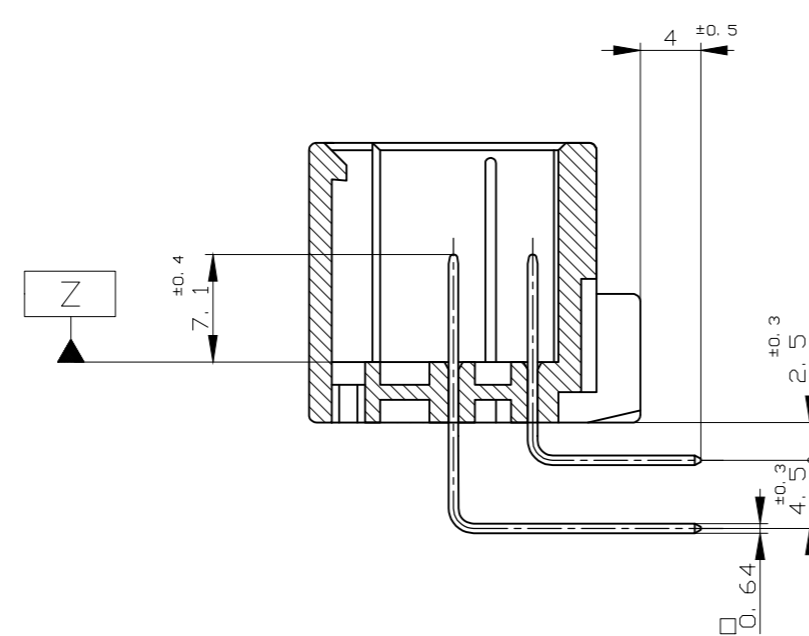


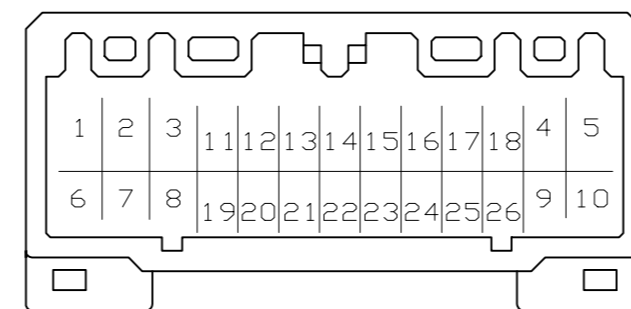
REVISIONS					
P	LTR	DESCRIPTION	DATE	DWN	APVD
F8		OBSOLETED PNS 2-178811-6 & 4-178811-6	12NOV2020	PSJ	TM



A-A



B-B



- 1. MUST BE KEPT BETWEEN [Z] AND 2
- 2. THE MATING PLUG HSG.PART NUMBER: 174516, 917992
- 3. RECOMMENDED MOUNTING SCREW; 3mm DIA, 6mm LENGTH (MAX.) PAN HEAD, CLASS 2 TAPPING SCREW SPECIFIED IN JIS B1115, B1122 (TIGHTENING TORQUE: 0.4N-m (4Kg-cm) MAX)
- 4. APPLICABLE PRODUCT SPEC NO.: 108-5280, 108-5342
- 5. CIRCUIT NUMBER
POWER CIRCUIT NO. ① ~ ⑩
SIGNAL CIRCUIT NO. ⑪ ~ ⑳
- 6. INDICATED PREFIX AND ID MARK OF PRODUCT P/N BY HOT MARK

- 1. [Z] 面から2mmの範囲で測定
- 2. 嵌合相手ハウジング型: 174516, 917992
- 3. 推奨取付ねじ: JIS B1115, B1122 タッピングねじ, なべ2種 呼び径3, 長さ6mm以下 (締付けトルク: 0.4N-m (4kg-cm) 以下)
- 4. 適用製品規格番号: 108-5280, 108-5342
- 5. 回路番号: 上図参照のこと
パワー回路 ① ~ ⑩
シグナル回路 ⑪ ~ ⑳
- 6. 適用製品型番のアリフィックス及びIDマークを カウ-ホットマークにて表示

OBSOLETE
OBSOLETE

54	SELECTIVE-TIN (MATTE) PRE-TINNED (錫めっき) × 24	SELECTIVE GOLD (部分金めっき) × 2	---	⑭, ⑳	GRAY 灰色	4-5178811-6
52	SELECTIVE-TIN (MATTE) PRE-TINNED (錫めっき) × 20	SELECTIVE GOLD (部分金めっき) × 6	⑨	⑰, ⑱, ㉒~㉔	GRAY 灰色	2-5178811-6
54	SELECTIVE-TIN (MATTE) PRE-TINNED (錫めっき) × 24	SELECTIVE GOLD (部分金めっき) × 2	---	⑭, ⑳	NATURAL 自然色	4-5178811-1
53	SELECTIVE-TIN (MATTE) PRE-TINNED (錫めっき) × 10	SELECTIVE GOLD (部分金めっき) × 16	---	⑪~㉔	BLACK 黒色	3-5178811-2
4	TIN-LEAD PRE-TINNED (錫めっき) × 24	SELECTIVE GOLD (部分金めっき) × 2	---	⑭, ⑳	GRAY 灰色	4-178811-6
4	TIN-LEAD PRE-TINNED (錫めっき) × 24	SELECTIVE GOLD (部分金めっき) × 2	---	⑭, ⑳	NATURAL 自然色	4-178811-1
2	TIN-LEAD PRE-TINNED (錫めっき) × 20	SELECTIVE GOLD (部分金めっき) × 6	⑨	⑰, ⑱, ㉒~㉔	GRAY 灰色	2-178811-6
0	PRE-TINNED 錫メッキ × 26		---	---	YELLOW 黄色	178811-7
0	PRE-TINNED 錫メッキ × 26		---	---	GRAY 灰色	178811-6
5	SELECTIVE-TIN (MATTE) 部分錫めっき	SELECTIVE GOLD (部分金めっき) × 26	① ~ ⑩	⑪ ~ ㉔	GRAY 灰色	178811-3
1	SELECTIVE-TIN (MATTE) 部分錫めっき	SELECTIVE-TIN (錫めっき) × 26	---	---	NATURAL 自然色	178811-2
0	PRE-TINNED 錫メッキ × 26		---	---	NATURAL 自然色	178811-1
MARKING マーキング	SOLDERING SIDE 半田付け部	CONTACT SIDE 接触部側	POWER CIRCUIT NO. パワー回路	SIGNAL CIRCUIT NO. シグナル回路	HOUSING COLOR ハウジング色	PART NO
FINISH OF CONTACT タブ仕上 (本数)			CIRCUIT NO. OF GOLD PLATED CONTACT 全メッキ端子使用回路番号			

TOLERANCES UNLESS OTHERWISE SPECIFIED:	
一般公差	
0 < x < 10:	±0.2
10 < x < 30:	±0.25
30 < x < 100:	±0.3
ANGLES:	±3°

DIMENSIONS:		TOLERANCES UNLESS OTHERWISE SPECIFIED:	
単位: 寸	mm	一般公差	
0 PLC	±	1 PLC	±
1 PLC	±	2 PLC	±
2 PLC	±	3 PLC	±
3 PLC	±	4 PLC	±
4 PLC	±	ANGLES	±
MATERIAL 材料		FINISH 仕上	
HOUSING: PBT		SEE TABLE 表参照	
CONTACT: BRASS			

THIS DRAWING IS A CONTROLLED DOCUMENT.		DWN M.KADOSAKI 17MAY05		NAME 26POSITION CAP HOUSING ASSEMBLY 040/070 HYBRID I/O CONNECTOR
DIMENSIONS: 単位: 寸 mm		CHK T.SHINOHARA 17MAY05		
TOLERANCES UNLESS OTHERWISE SPECIFIED: 一般公差		APVD K.BETSUJI 17MAY05		
MATERIAL: HOUSING: PBT CONTACT: BRASS		PRODUCT SPEC 製品規格		
FINISH: 仕上		APPLICATION SPEC 取付適用規格	SCALE 2:1	SHEET 1 of 1
CUSTOMER DRAWING		WEIGHT	SIZE A2	CAGE CODE 00779
			DRAWING NO. C=178811	RESTRICTED TO F8

X-ON Electronics

Largest Supplier of Electrical and Electronic Components

Click to view similar products for [Automotive Connectors](#) category:

Click to view products by [TE Connectivity](#) manufacturer:

Other Similar products are found below :

[003-018-000](#) [60403001](#) [60993906-B](#) [M902-2131](#) [M902-2161](#) [M902-2344](#) [72.330.1035.1](#) [73.353.4028.0](#) [F119300-B](#) [F166900](#) [F258300-B](#)
[F358300-B](#) [F407400](#) [F444110](#) [F487000](#) [F509500B-B](#) [827153-1](#) [8N1515-32-24P](#) [9-1326729-8](#) [925474-1](#) [928905-1](#) [964562-4](#) [968782-1](#)
[GT17SA-8DS-HU](#) [98891-1012](#) [98947-1016](#) [12004147](#) [12004475-L](#) [12010290](#) [12015454](#) [12020219-B](#) [12041318-B](#) [12052225-L](#) [12052466](#)
[12064869](#) [12004327-B](#) [12015308](#) [12015384](#) [12015909](#) [1-21030-1](#) [12041254](#) [12041318](#) [12047946-B](#) [12047957](#) [12047957-L](#) [12059473](#)
[12066261](#) [12110546](#) [12110546-B](#) [12131792](#)